

# M & W



*ABOUT US*



# OUR PRODUCTS

01  
seasons .....1-6

02  
Agile System .....7-12

03  
Haehne .....13-18

04  
DongCang .....19-24

05  
K-Board .....25-32

06  
Warm Winter .....33-36

07  
K-Wall .....37-40





# SEASONS

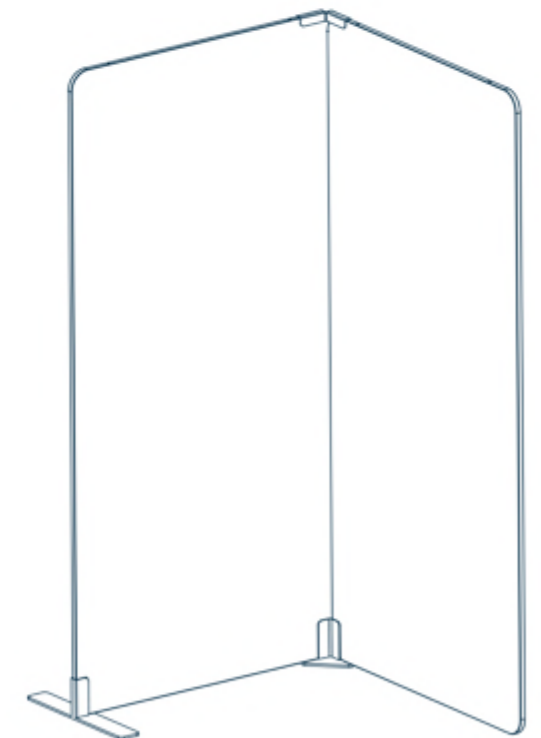
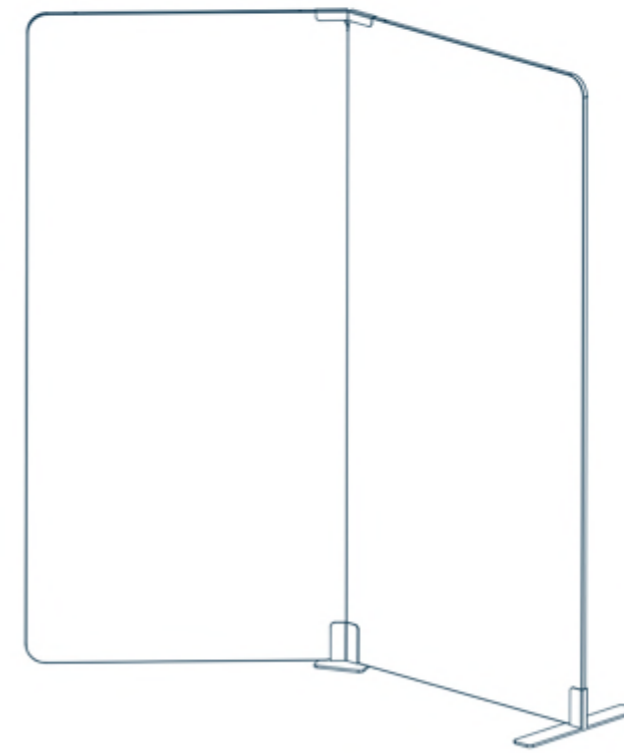
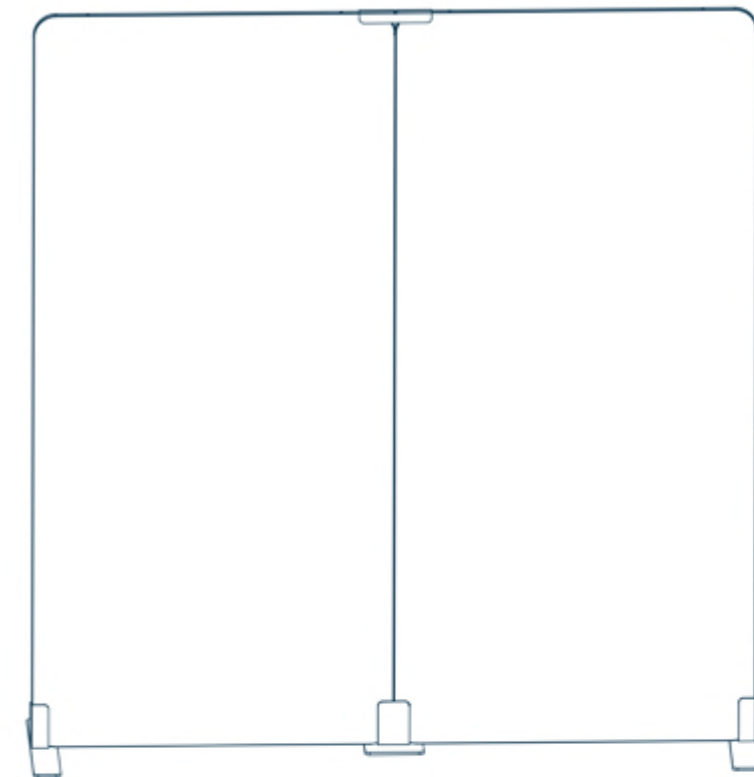
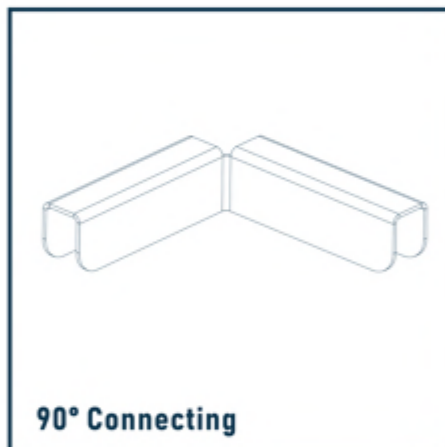
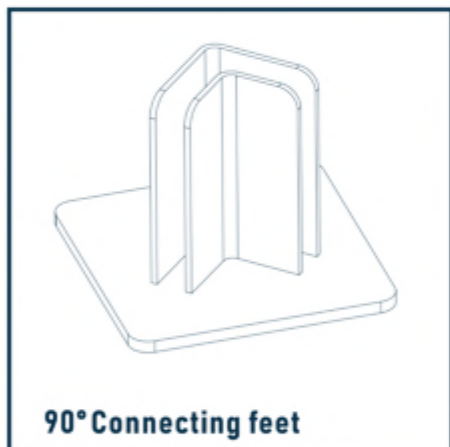
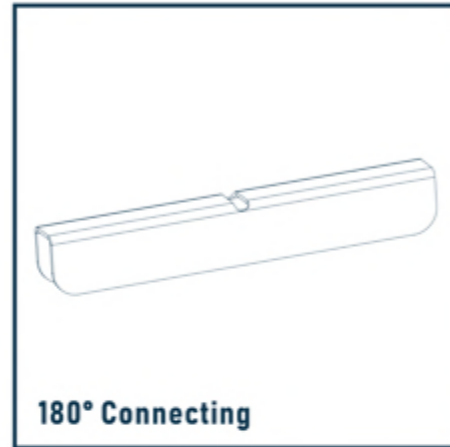
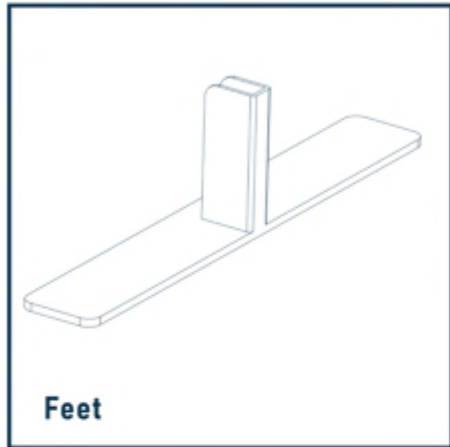
Feel the seasonal changes, the simpler the better



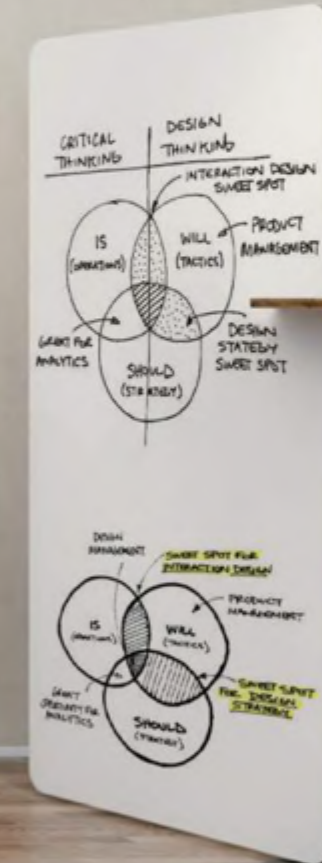
A good writing board can not only write, but also separate the space, and can also be used as a magnetic and storage decoration.

# SEASONS

## Seasons Element



# AGILE SYSTEM





Keyword Agile System is fun for sharing your ideas, work and life. Lightweight writing boards and fabric magnetic boards, used with writing board tables and mountable wall rails, create any space and support teamwork in constant changes.







### Agile System Element



**Cart**  
Standard size: 1200×515×H900mm



**Board Cart**  
Standard size: 1200×515×H900mm



**Board Cart Package**  
Standard size: 1200×515×H1750mm



**Markerboard-Winter**  
Standard size: 800×14.5×H1700mm



**Fabric**  
Standard size: 800×14.5×H1700mm



**Table**  
Standard size: 500×450×H1100mm



**Wall Rails**  
Width 90mm, length based on the qty of Markerboards.



**Wall Rails Package**  
Standard size: 2610×90×H1760mm





As we know people like to share their ideas in a circle. Haehne's curved writing board design creates a sense of enclosed privacy for the team and encourages everyone to actively participate in discussions. Meanwhile, it is also a transit station in the co-working space, serving as both a separation and a connection between different areas.



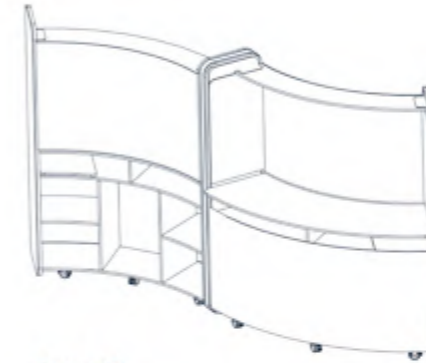
Product Information

## About Haehne

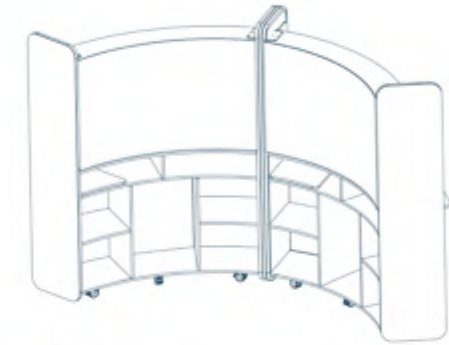
**Features:**

Curved writing board design to record easily, 2-meter-high side panels can be magnetical as a display wall Storage space can be easily placed everything. Tackable acoustic panel showcase teamwork and provide sound insulation Silent wheel supports free movement.

### combination

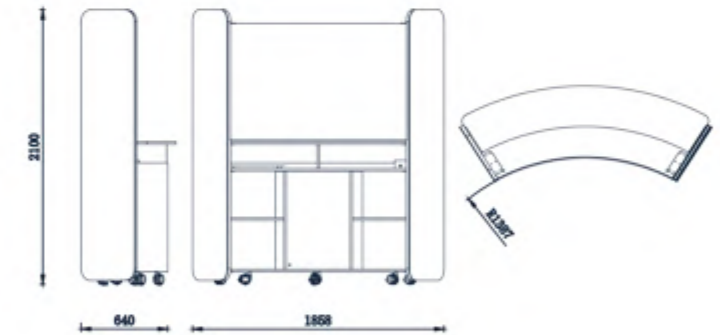


Type S



Type C

**Standard Size:**  
R1387×L1858mm×W640×H2100



### Side panel fabric colors



SF-06

SF-11

SF-20

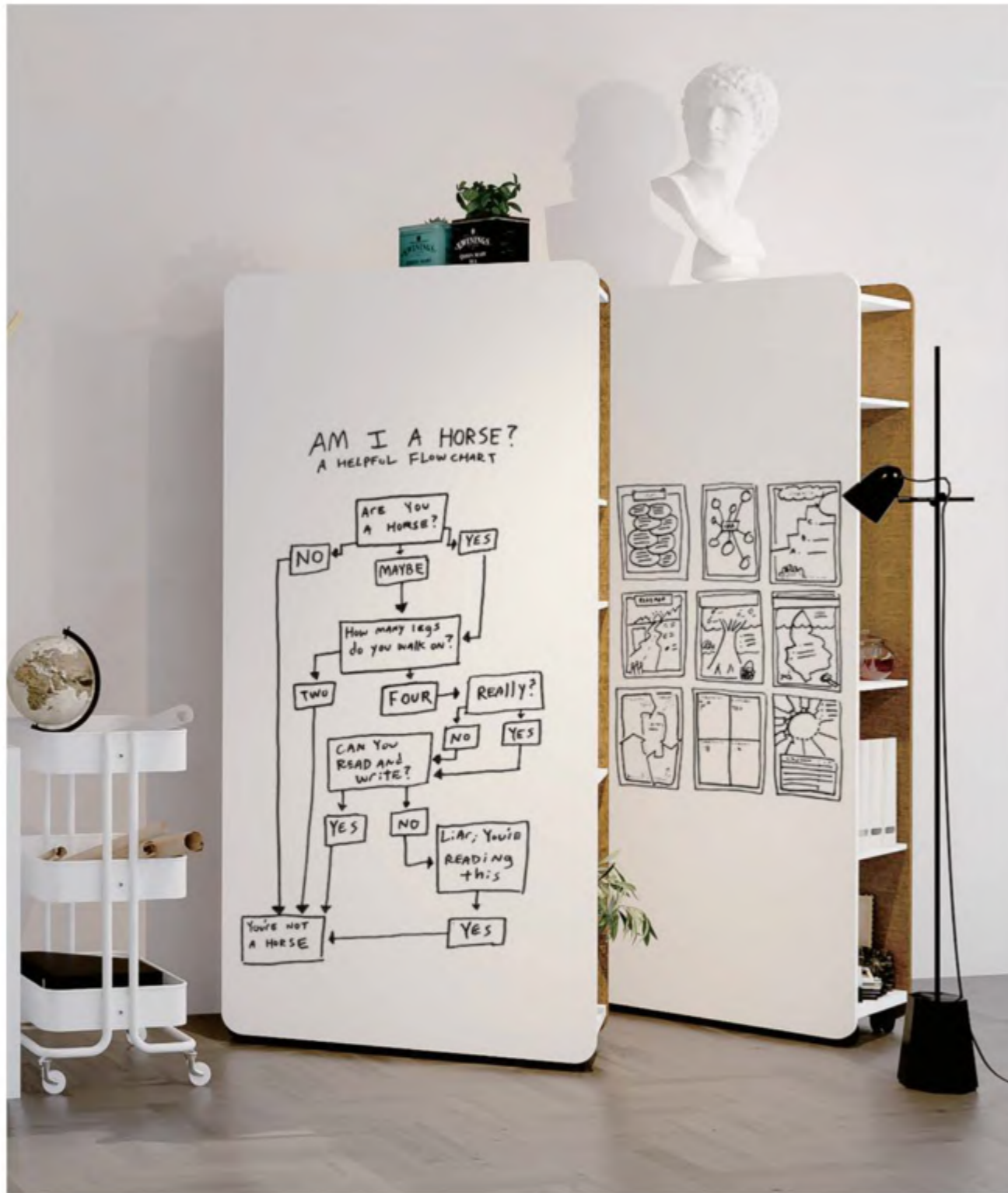


"Dong" refers to the Keyword writing boards, and "Cang" means storage.

"Dong Cang" is a writing board storage cabinet. The designer subtly integrates the writing board into the storage cabinet, providing an excellent solution for users who are no room for a writing board.



Dong Cang  
冬藏



DongCang is the source of inspiration, the storage of knowledge in the personal studio , and every designer will like it.



Children are innocent and love to draw and color, so DongCang is also the best playmate for children, accompanying them through the most precious childhood.



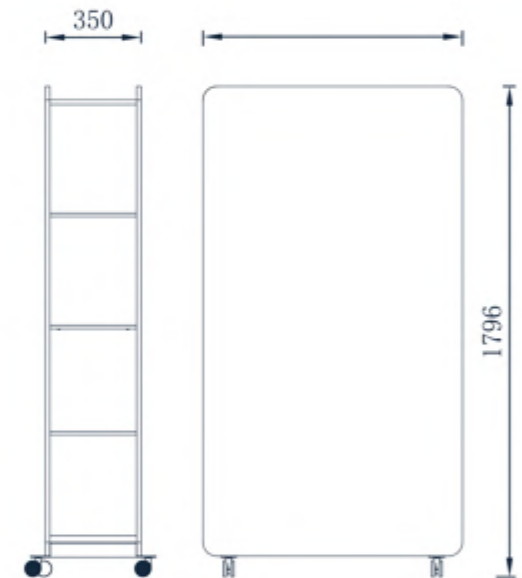
## Product Information

### About Dongcang

#### Features:

- Non-staining writing surface
- Different height layers to meet various storage needs
- Fabric side panel can magnet photos and drawings
- The slender cabinet save space
- Silent wheel supports free movement

Standard Size:  
L800mm×W350×H1796



Side panel fabric colors



# K-Board

The simplest lines, the most comfortable colors, whatever you want, wherever you go.

---

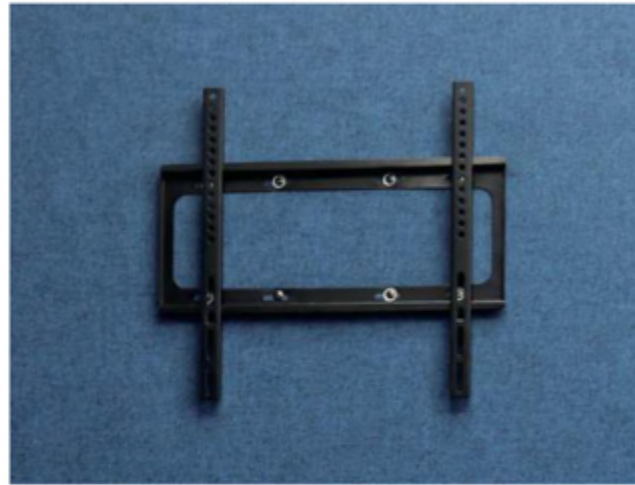


K-BOARD AVAILABLE



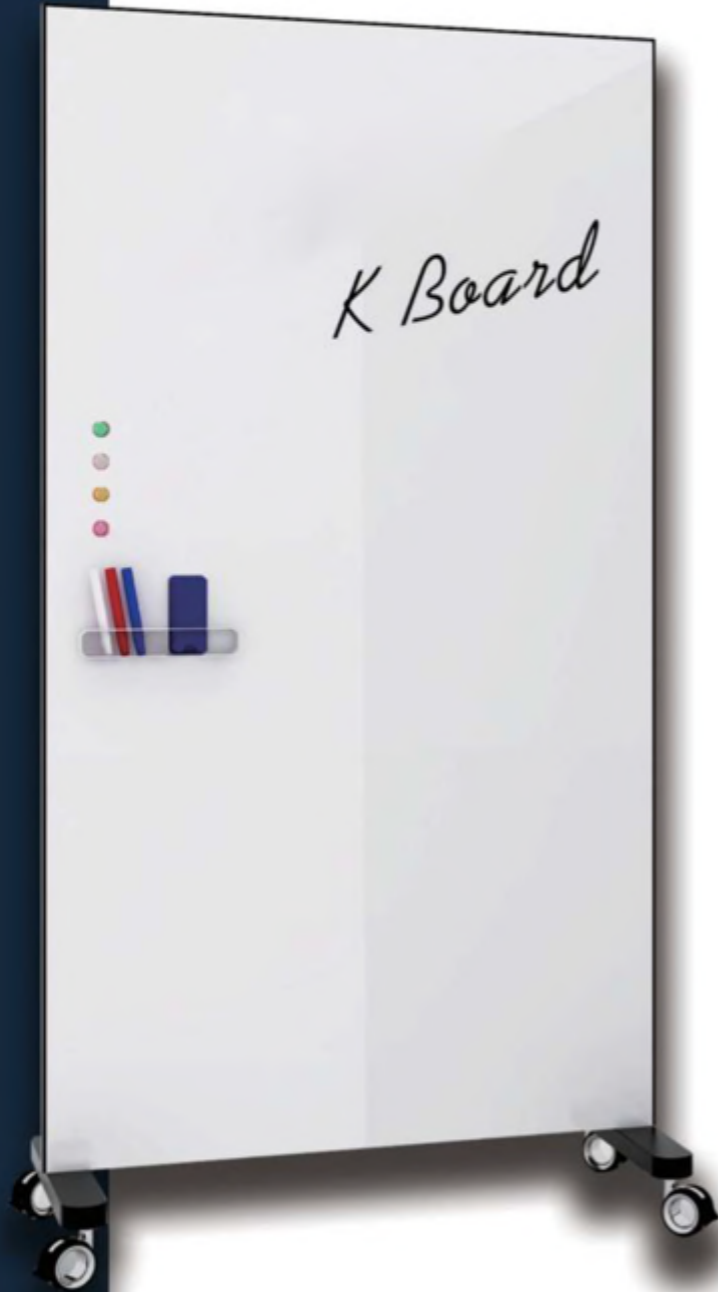
K-Board can be a thought sharing board, can be the most advanced artwork for separate space, also be the most comfortable screen in the space.

TV bracket integrated K-Board  
Maximum load-bearing 42 inch TV



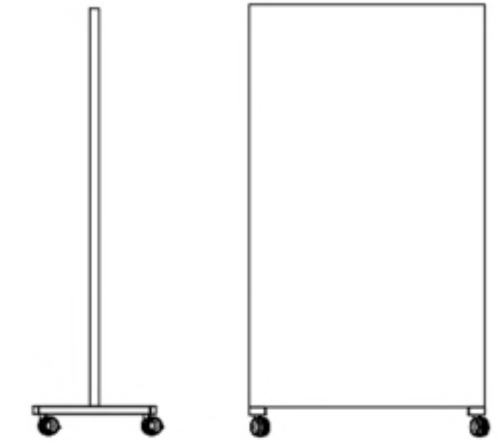
Features

- Black brushed alumina frame.
- Magnetic tempered ultrawhite glass writing surface.
- Magnetic personalized color fabric.
- With a set of whiteboard markers, erasers and magnets.
- The universal wheels with brake



Product Information  
**About K-Board**

Standard size: M (1016 x 1854 mm)  
 Note: For more customized sizes, please contact us.



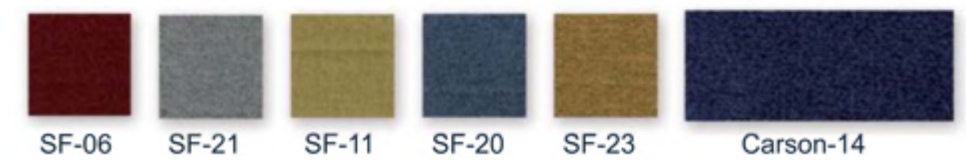
Double-side stained glass  
 Glass + Cloth



Glass colors



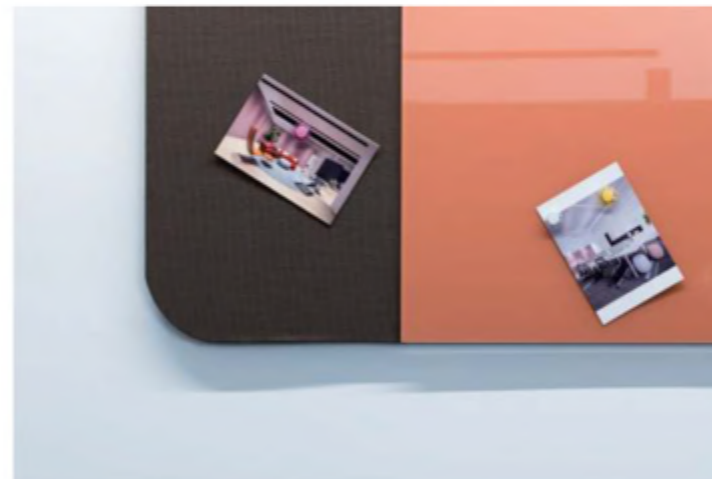
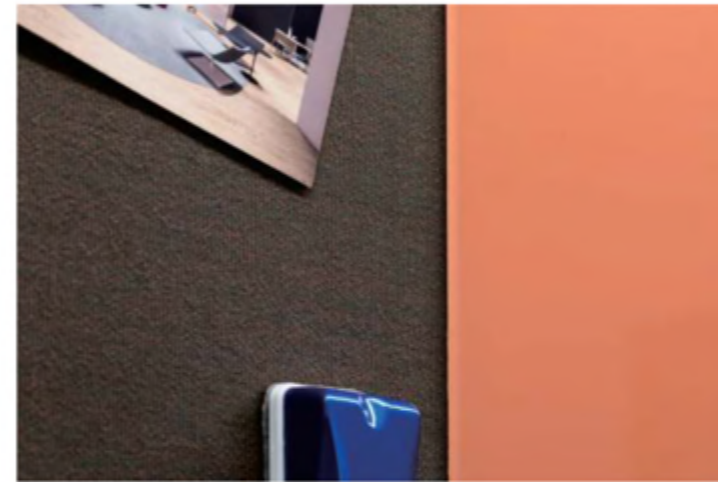
Fabric Colors



Like a ray of warm winter sun in the indoor space. The rounded corners give people a soft and rounded feeling. With warm colors, it brings a sense of warmth and intimacy to the indoor environment.

## Warm Winter





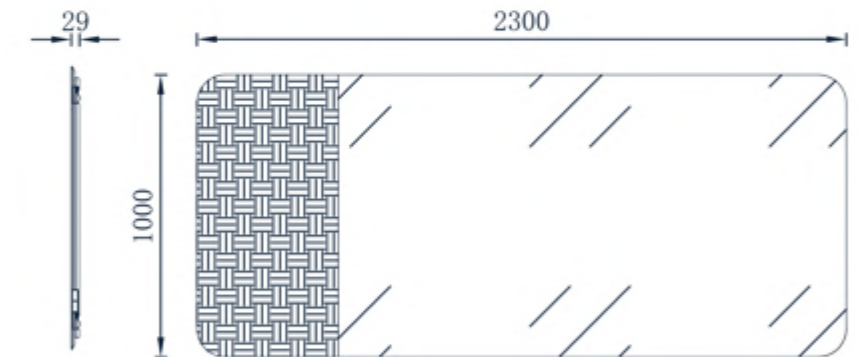
## Product Information

Standard size:  
 Glass Part: 1800×1000mm  
 Fabric Part: 500×1000mm

Glass colors: Orange

Features:

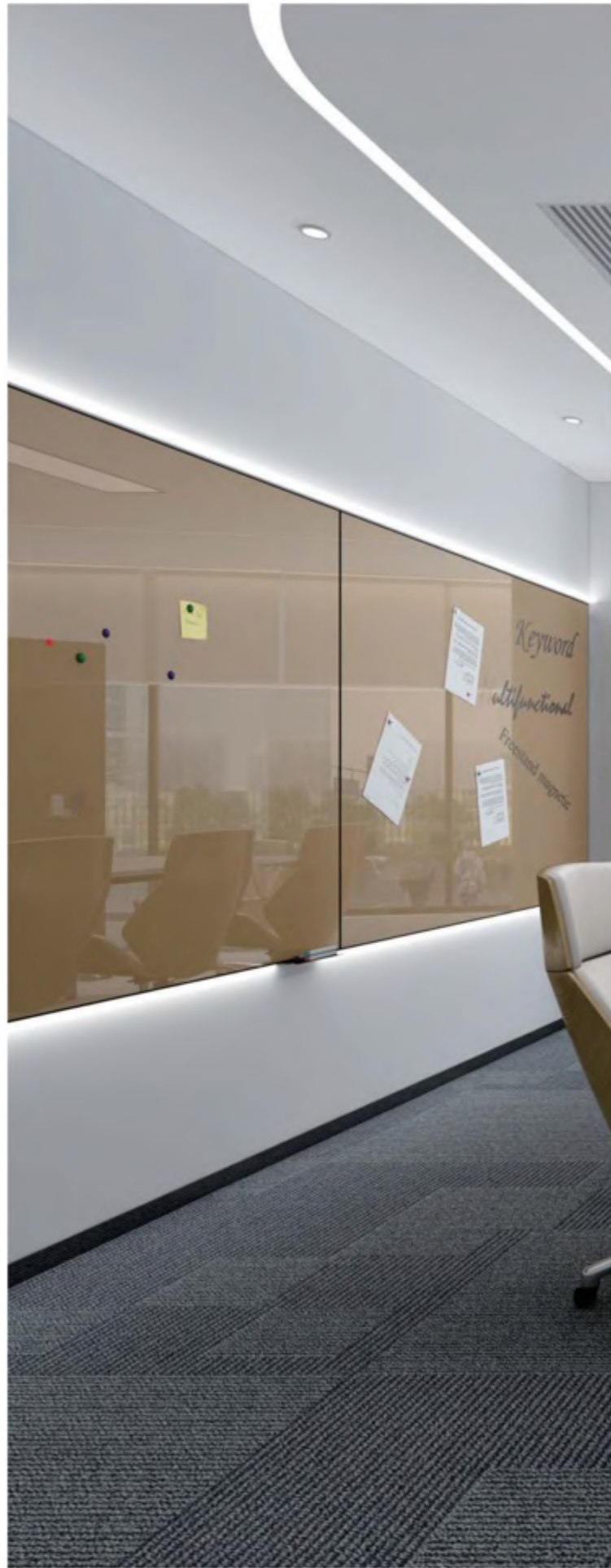
- Frameless+hidden pendant+floating on the wall
- Rounded corner design is more humanized
- Glass and Fabric, both rigidity and softness
- With a set of whiteboard markers, erasers and magnets





## K-Wall

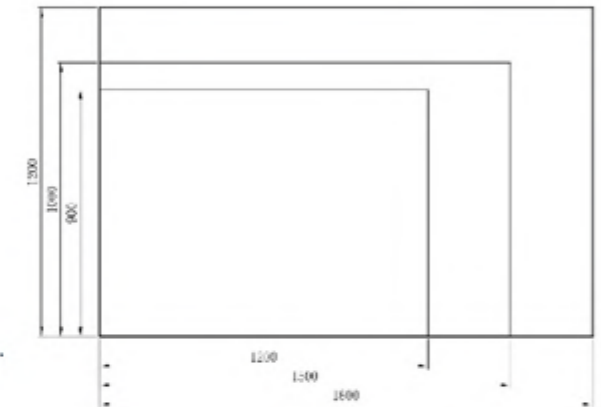
In order to meet the large-area writing needs of office training and teaching scenarios, our designers have designed a series of multi-size, combinable wall-mounted writing boards. Rich colors will definitely be the finishing touch to scenes such as the training room and the president's office.



## Product Information

### About K-Wall

- Features:
- Black Powder coating frame.
  - Magnetic tempered ultrawhite glass writing surface.
  - Various color options
  - With a set of whiteboard markers, erasers and magnets.



- Standard size:
- S (1200\*900mm)
  - M (1500\*1000mm)
  - L (1800\*1200 mm)
- Note: For more customized sizes, please contact us.

### Glass colors



