



**computer
desk**



Installation illustrate

Web : <https://www.mwworkstation.com/>

Tel : +86 13695211636

Mail : robbor@mwworkstation.com

Contents

<u>Product</u>	-----	1P
<u>Parts Show</u>	-----	2P
<u>Installation Steps</u>	-----	3P

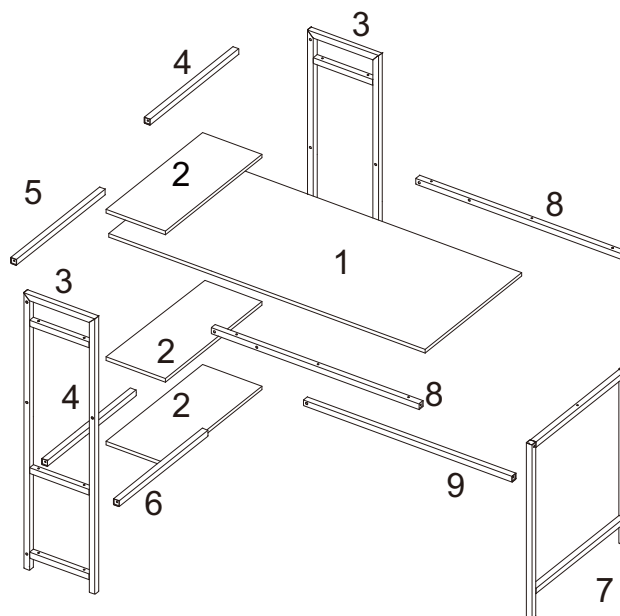


**computer
desk**

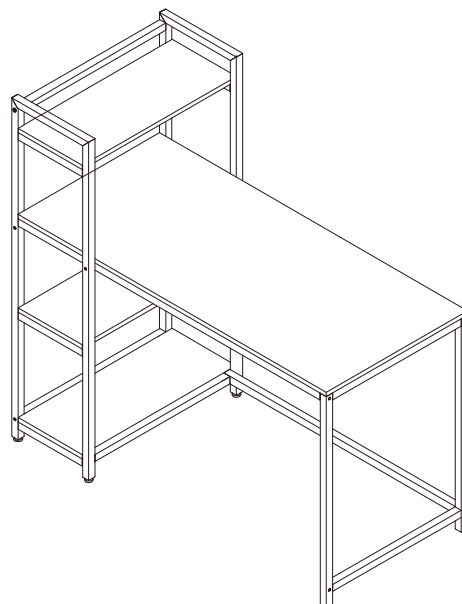
FAST AND CONVENIENT INSTALLATION SYSTEM
DESK SYSTEM SCREEN SYSTEM

PRODUCT

Decomposition of components

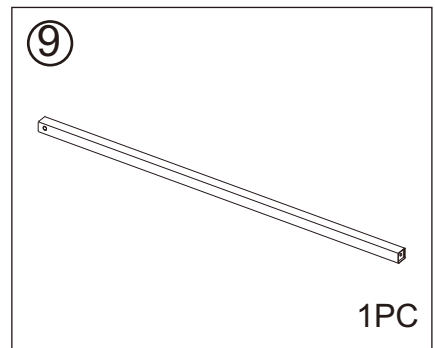
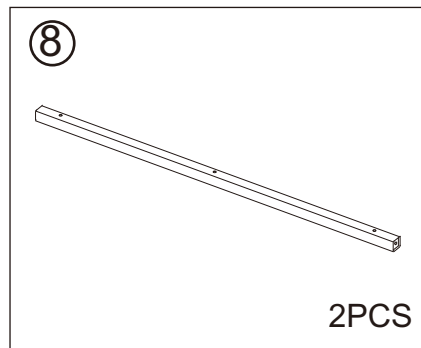
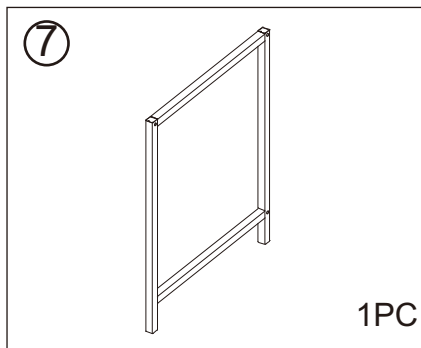
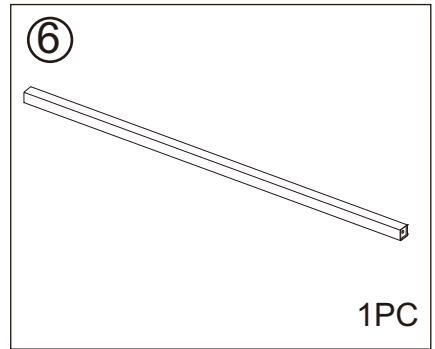
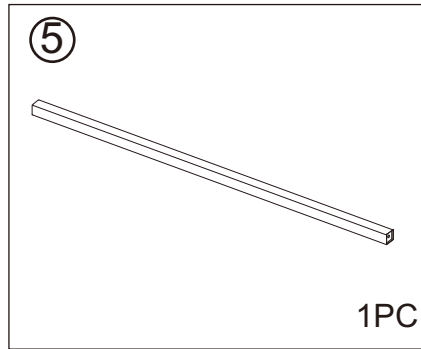
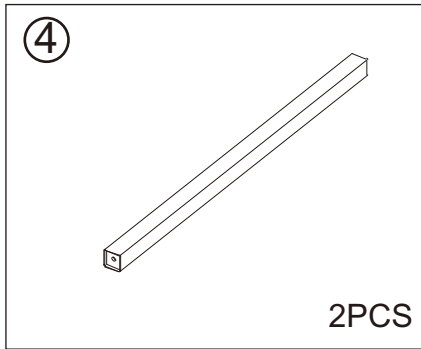
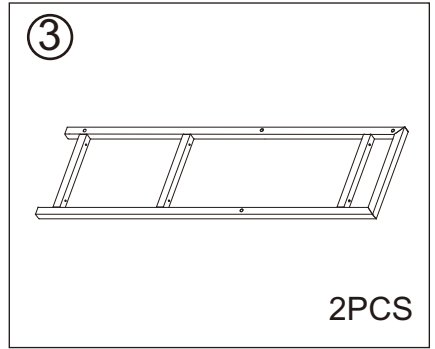
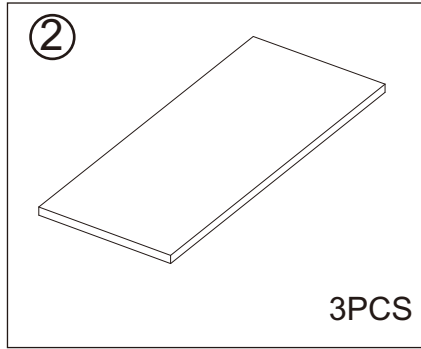
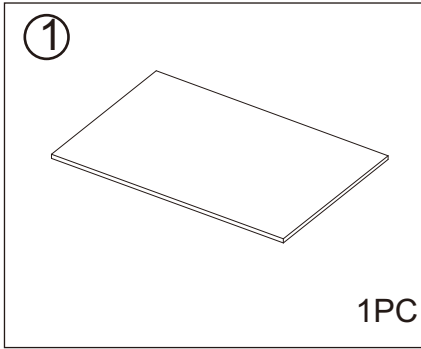


The installation is complete

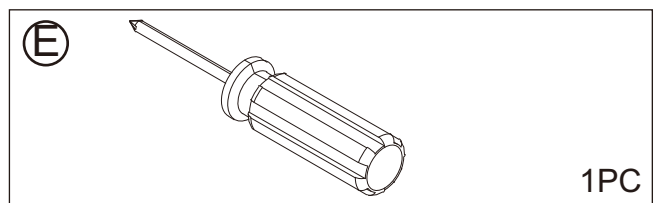
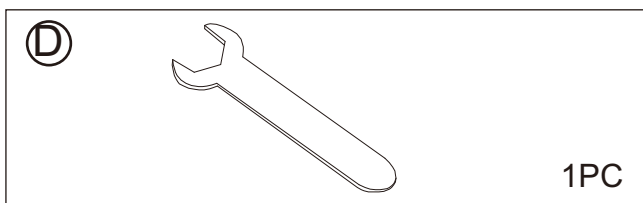
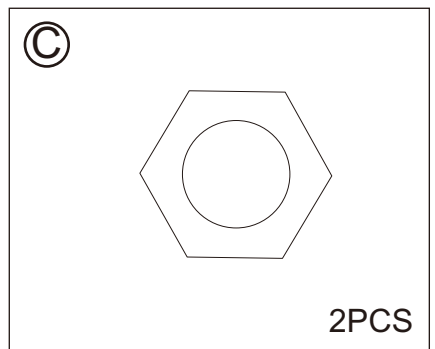
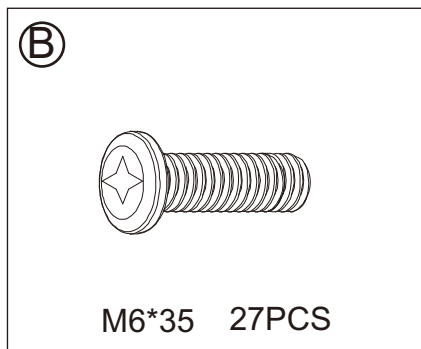
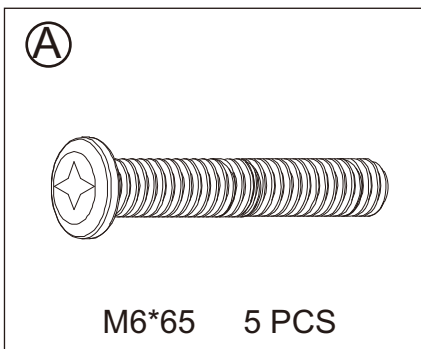


PARTS SHOW

Please check the board number



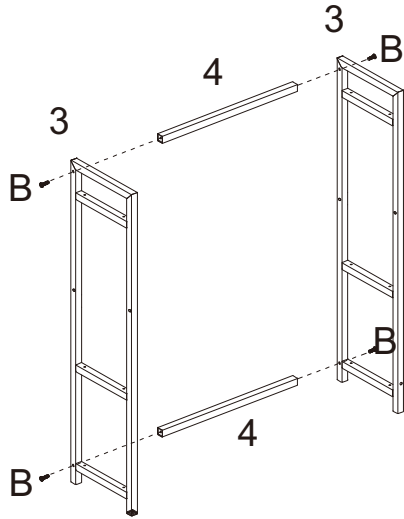
Please check the accessories number and quantity




INSTALLATION STEPS

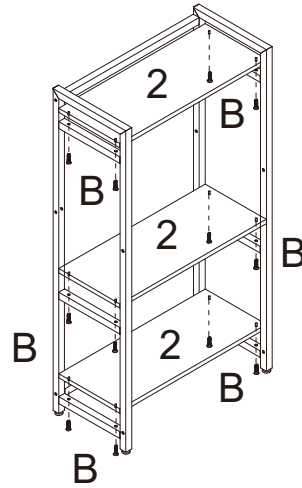
Please note that don't tighten all the screws before all steps completed


STEP:1



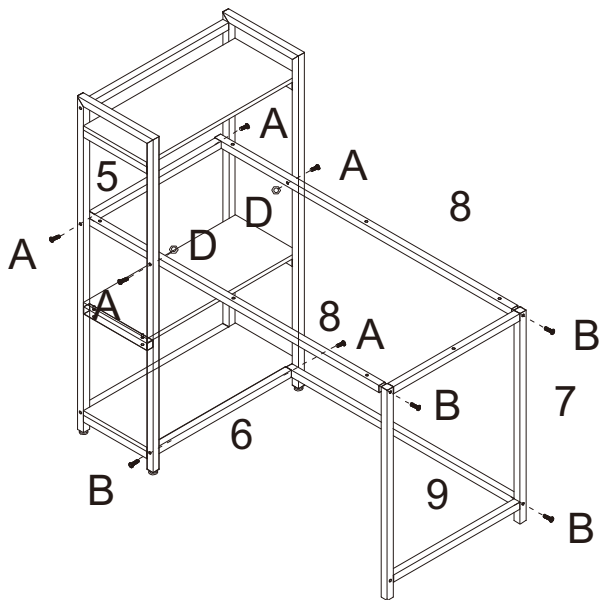
 B x 4 PCS

STEP:2



 B x 12 PCS

STEP:3

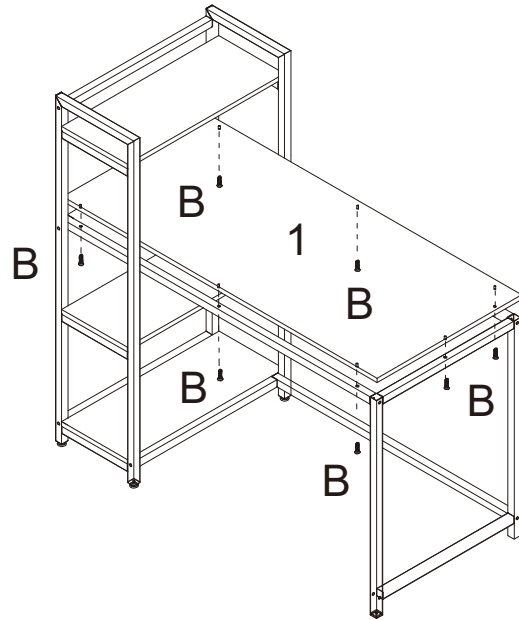



 C x 2 PCS

 B x 4 PCS

 A x 5 PCS

STEP:4



 B x 7 PCS

M & W

Web: mwworkstation.com

Mail: robbor@mwworkstation.com

Tel: +86 13695211636

WhatsApp: + 86 13695211636

Add: NO.3 Xingye North Road Dawotang Industrial
District Shishan Nanhai Foshan City Guangdong
P.R China



WhatsApp



Facebook



Instagram



Twitter



Pinterest



Linkein



YouTube