

# HK55S

Single glass fullheight partition



Installation illustrate

Web : <https://www.mwworkstation.com/>

Tel : +86 13695211636

Mail : [robbor@mwworkstation.com](mailto:robbor@mwworkstation.com)

# Contents

<a href="#">Part Show</a>	-----	1P
<a href="#">Glass Panel Installation Steps</a>	-----	2P
<a href="#">Wooden Panel Installation Steps</a>	-----	12P
<a href="#">Door Installation Steps</a>	-----	20P
<a href="#">Node Description</a>	-----	29P

# HK55S

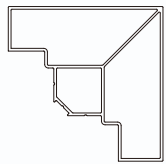
Single glass fullheight partition

## Components

FAST AND CONVENIENT INSTALLATION SYSTEM



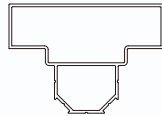
### PART SHOW



L shape pole  
7136#



Cover connector  
7126#



T shape pole  
7125#



Cover of corner pole  
7127#



Connector of  
wooden panels  
5850#



Connector of  
wooden&glass panels  
6002#



Glass groove  
6715#



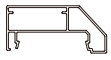
Double glass groove  
FU182-003#



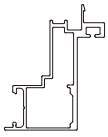
L shape glass groove  
FU182-008#



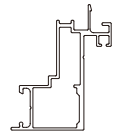
T shape glass groove  
FU182-007#



Wooden door frame  
(outside)  
7123#



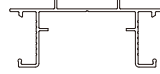
Wooden door frame  
(inside)  
7121#



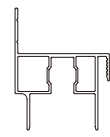
Glass door frame  
(inside)  
7135#



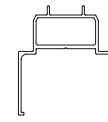
Door frame (inside)  
7133#



Door frame adjustment  
7119#



Wiring block pole  
for panel  
7146#



Wiring block pole  
for door frame  
7142#



Door frame with column  
7124#



Door frame (outside)  
7134#



Door frame connector  
7122#



Cover of door frame  
6711#



Side groove  
6712#



Wood panel  
adjustable pole  
7128#



Glass panel  
adjustable pole  
7129#



Cover of adjustable pole  
6714#



Glass panel cover for  
wiring block  
7144#



Glass panel cover for  
wiring block  
7143#



Wiring block pole  
connector  
7145#



Connector of  
door frame



Wood door sealing  
BH-Y008#



Glass door sealing  
BH-B008#



Buffer strip for sliding door  
Q916#



Bottom groove  
7141#



Ceiling groove  
6936#



Seal of MFC panel  
7131#



Seal of glass panel  
7132#



Seal of panel cover  
PQ5



Wood panel supporter  
7130#



Glass panel rubber  
U142



Adjustable connector



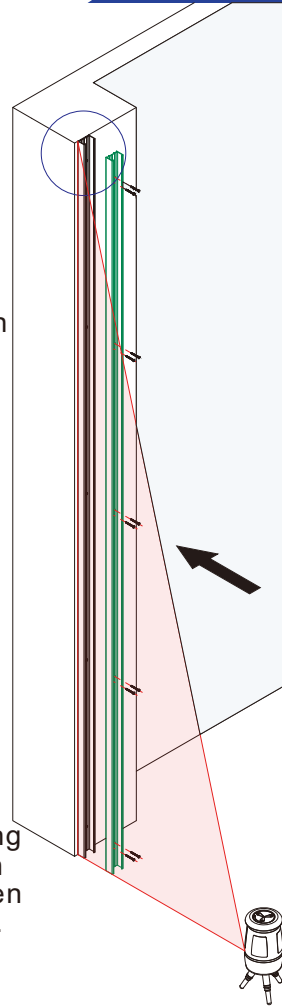
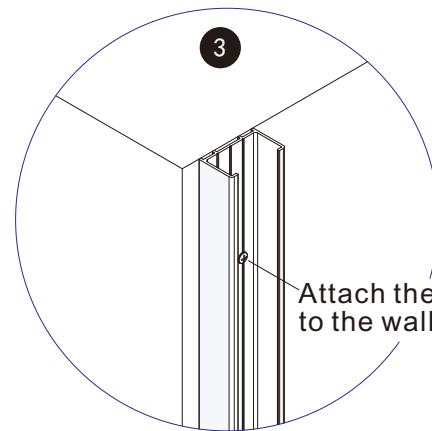
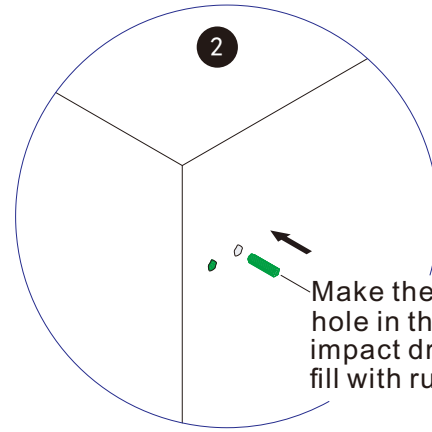
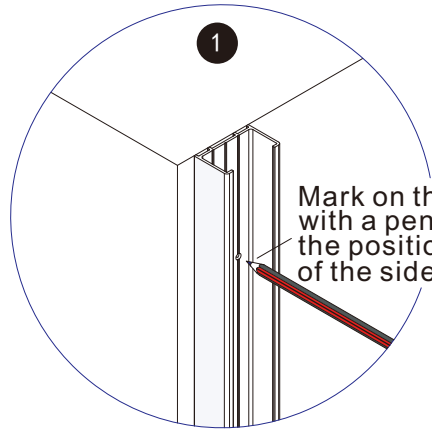
Glass panel clip



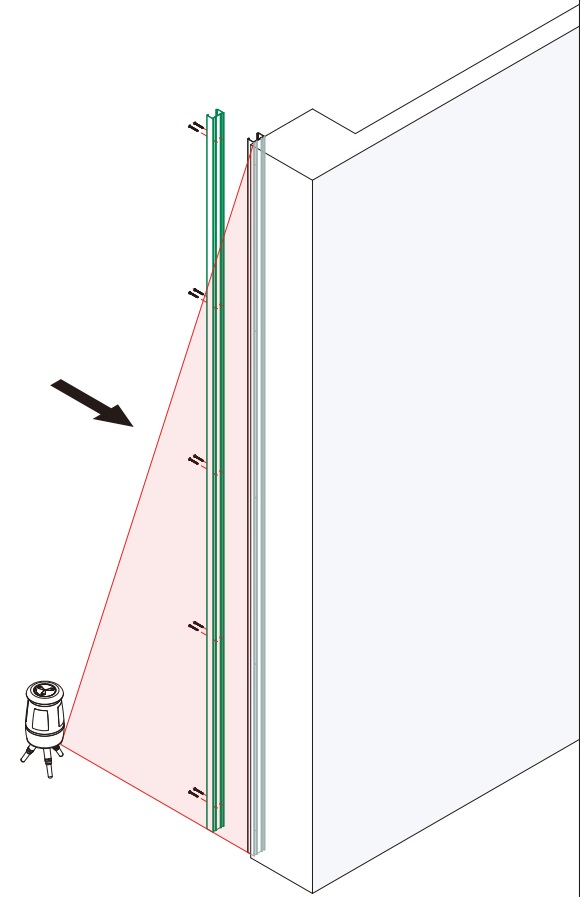
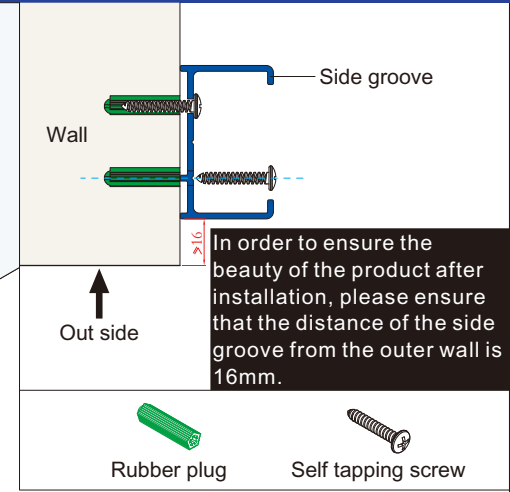
Wood panel clip

# INSTALLATION STEPS

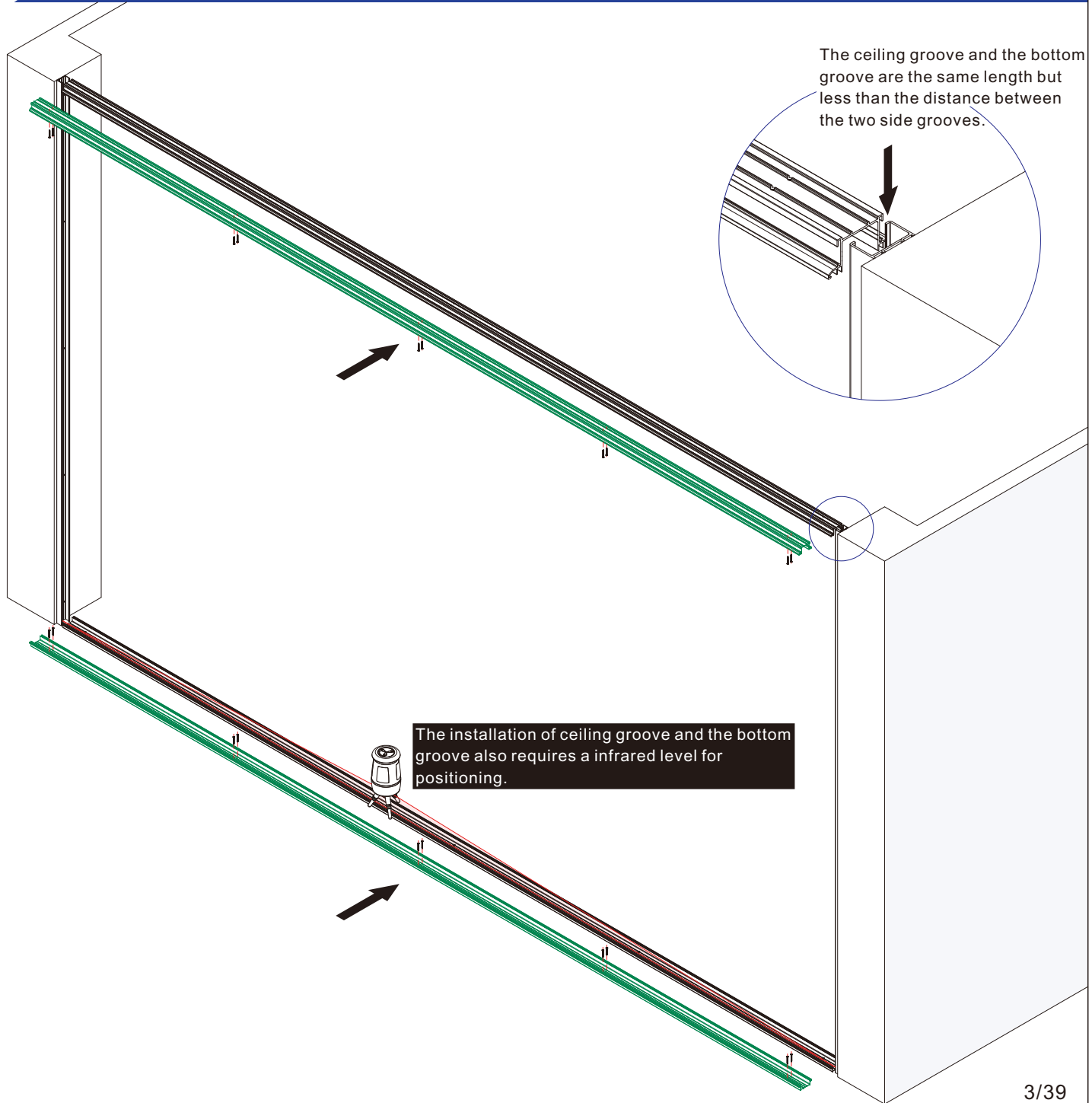
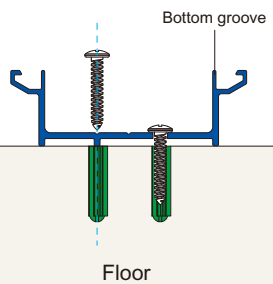
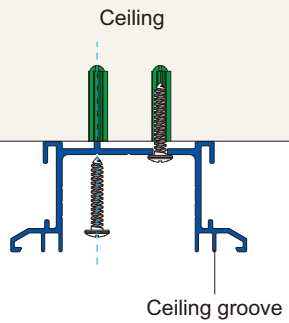
## 1.1-Installation of side groove



The verticality of the side groove is important, so be sure to use a infrared level positioning.

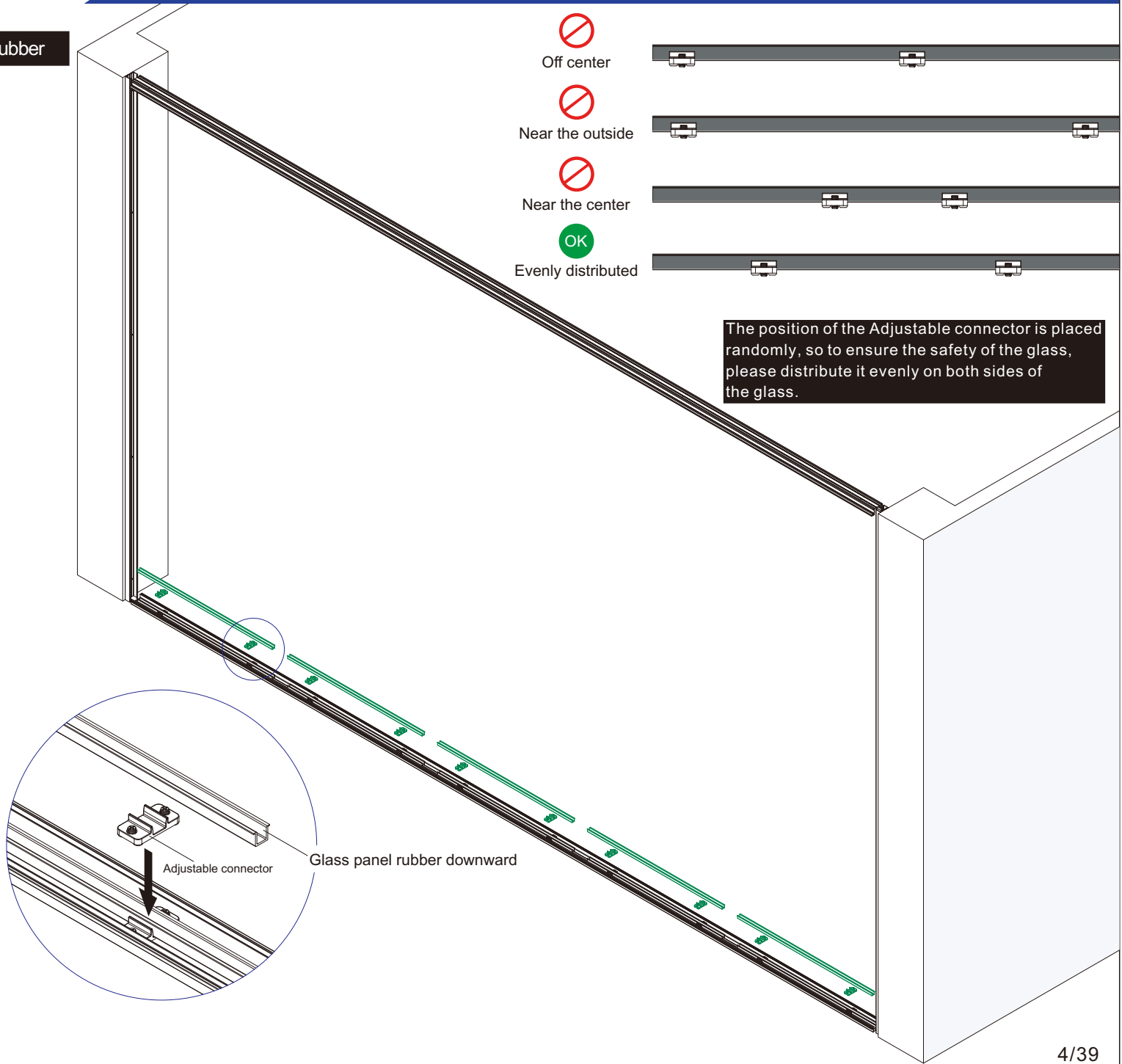
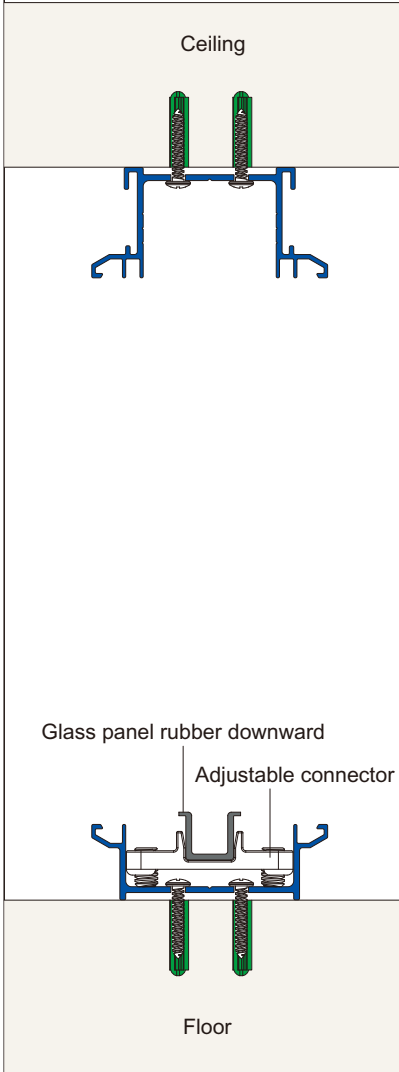


## 1.2-Installation of the ceiling groove and the bottom groove

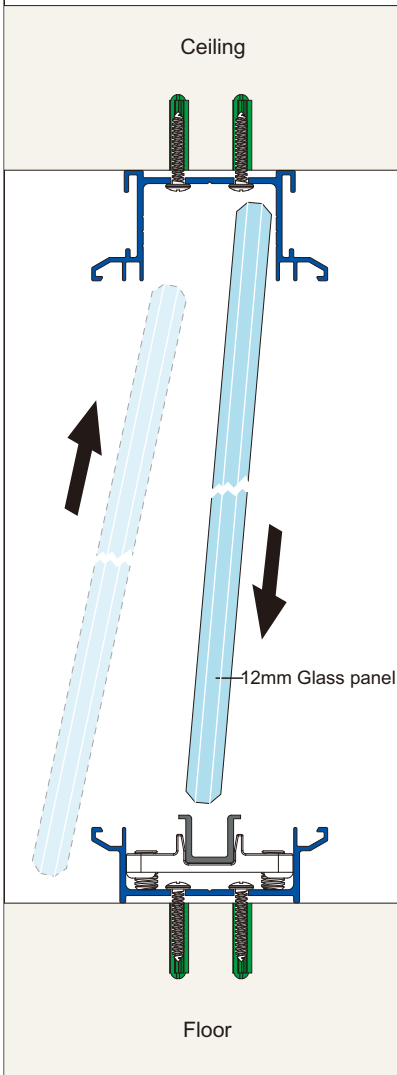


# INSTALLATION STEPS

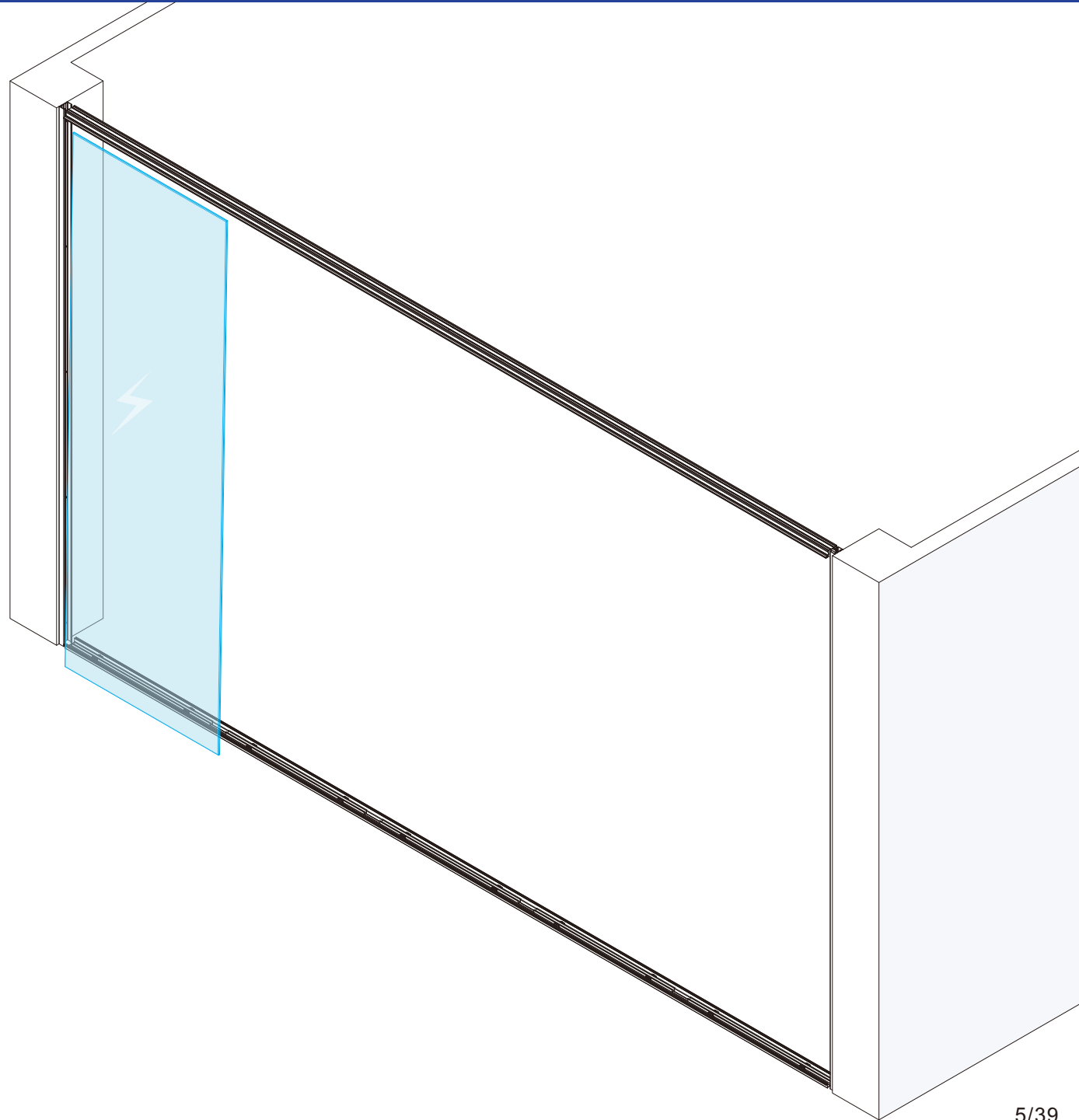
## 1.3-Installation of Adjustable connector and Glass panel rubber



## 1.4-Installation of the first piece of glass



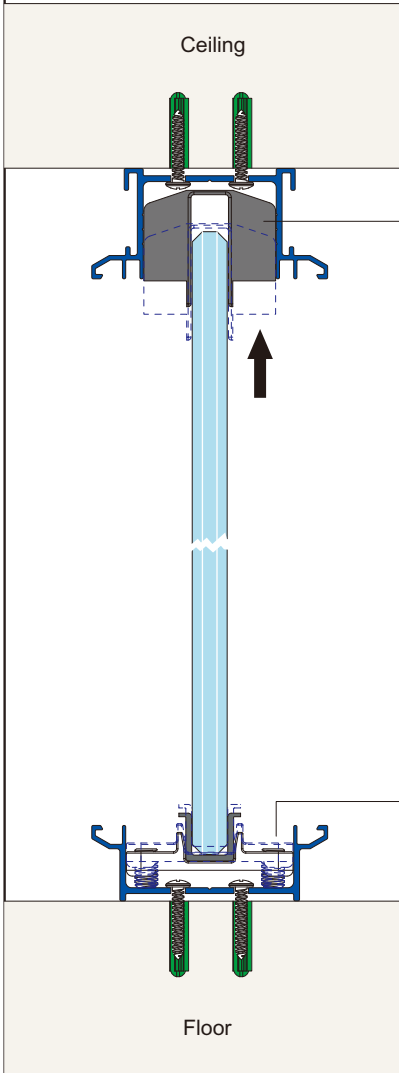
Tilt the glass to a certain angle and lift it up, and then clip the Glass panel rubber downward.



# INSTALLATION STEPS

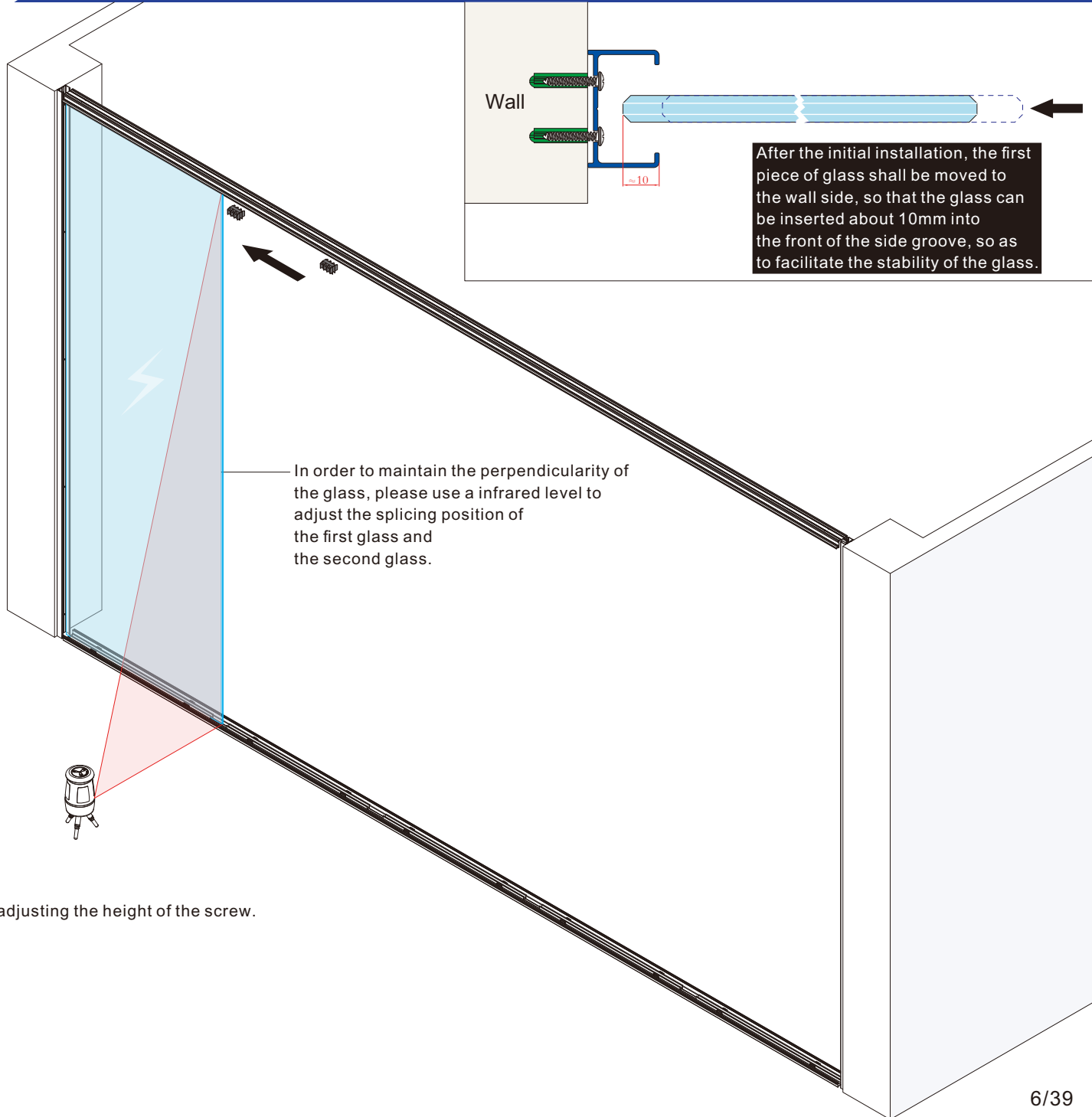
## 1.5-Installation of Glass panel clip

Clip the Glass panel clip into the ceiling groove from the side of the top of the glass to fix the position of the glass, and push it upward as far as possible.



Glass panel clip

The glass can be adjusted by adjusting the height of the screw.



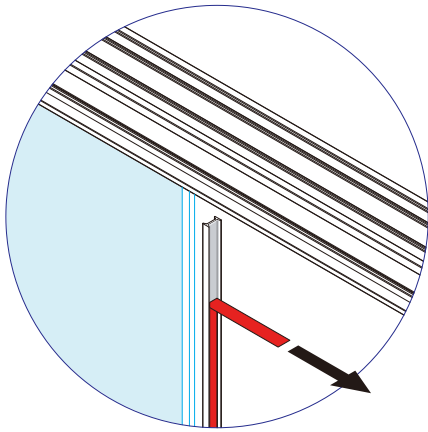
Wall

After the initial installation, the first piece of glass shall be moved to the wall side, so that the glass can be inserted about 10mm into the front of the side groove, so as to facilitate the stability of the glass.

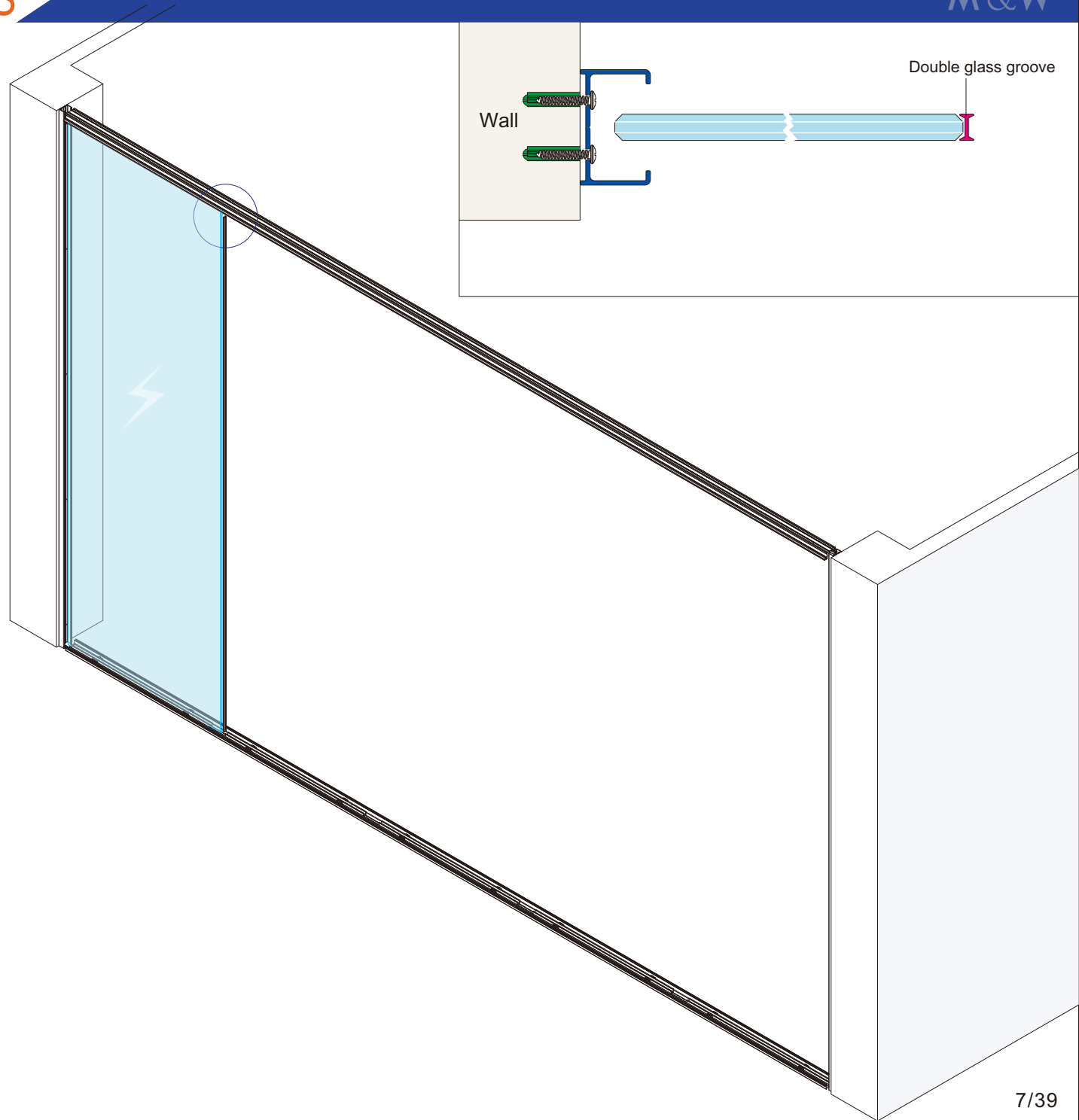
In order to maintain the perpendicularity of the glass, please use a infrared level to adjust the splicing position of the first glass and the second glass.



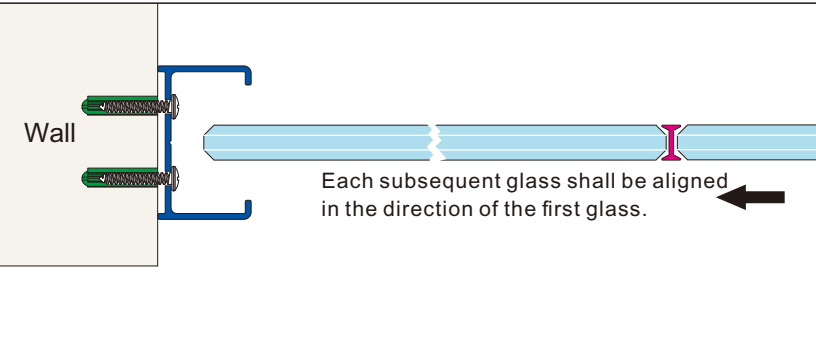
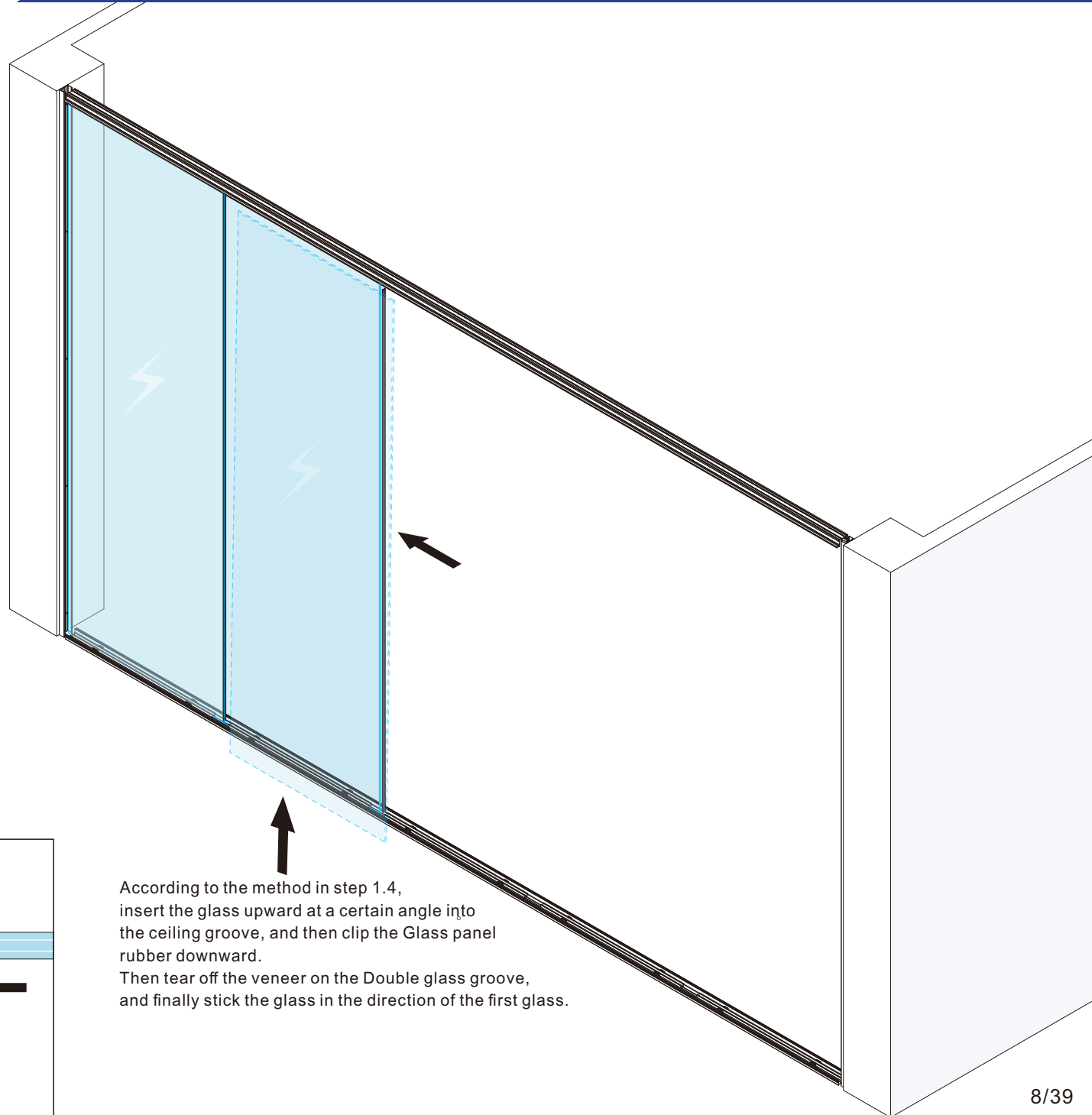
## 1.6-Installation of Double glass groove



Double glass groove is a double-sided adhesive tape. Before use, remove the red veneer and ensure that the glass side is clean.

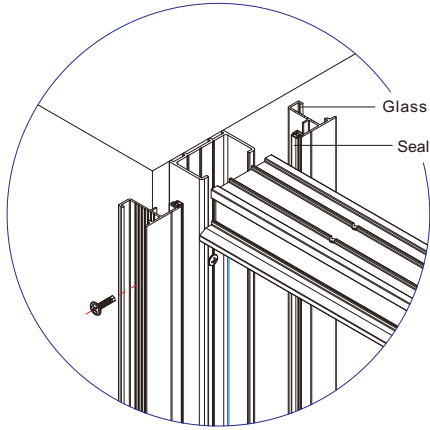


## 1.7-Following on, the installation of the glass



According to the method in step 1.4, insert the glass upward at a certain angle into the ceiling groove, and then clip the Glass panel rubber downward. Then tear off the veneer on the Double glass groove, and finally stick the glass in the direction of the first glass.

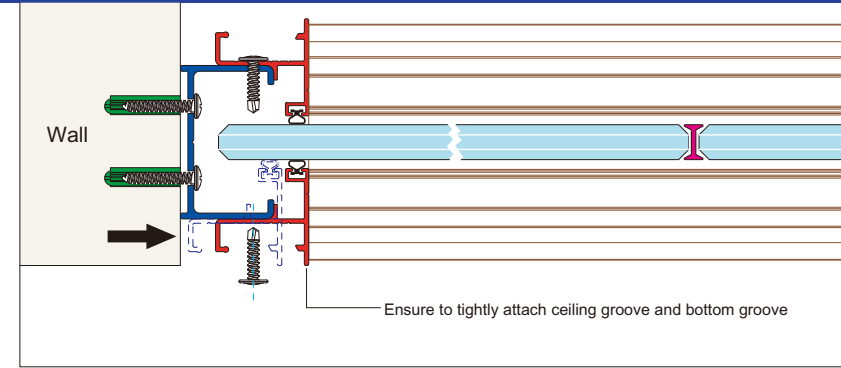
## 1.8-Installation of Glass panel adjustable pole



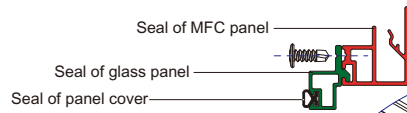
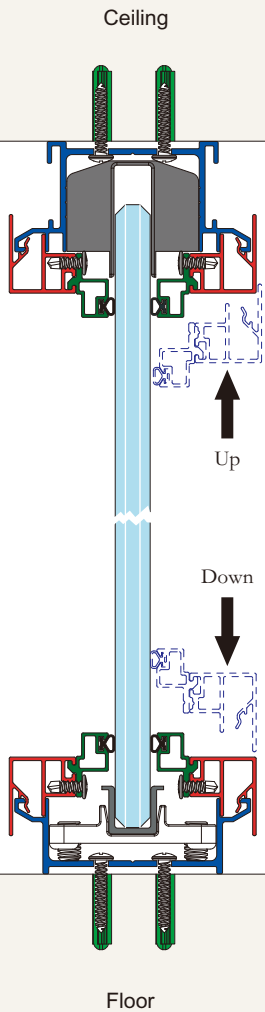
Glass panel adjustable pole  
Seal of panel cover

The Seal of panel cover needs to be installed in the Glass panel adjustable pole in advance, and then fixed to the side groove with self drilling screws.

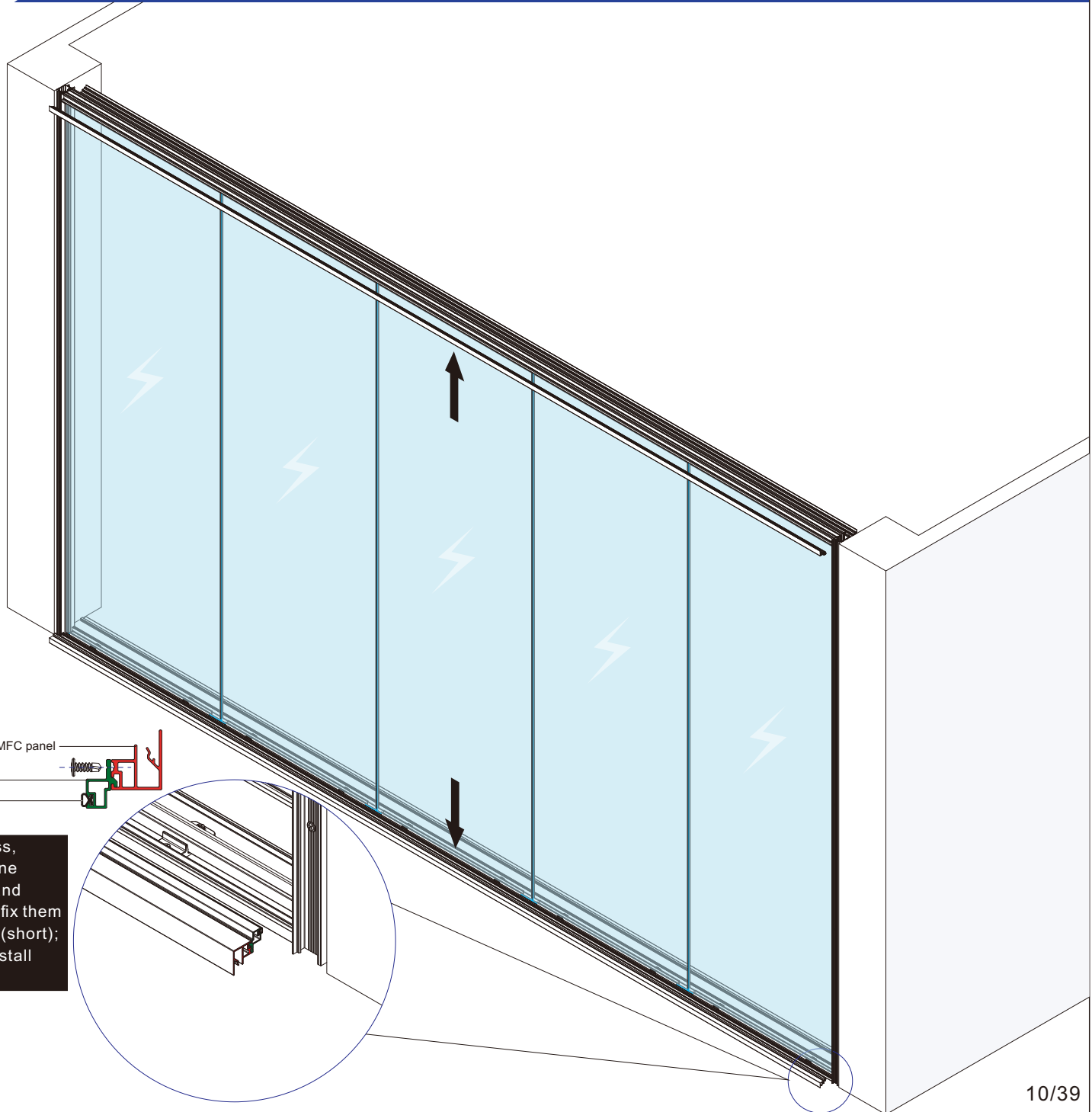
The position of the Glass panel adjustable pole shall be close to the ceiling groove and bottom groove, and the infrared level shall be used to ensure the installation effect.



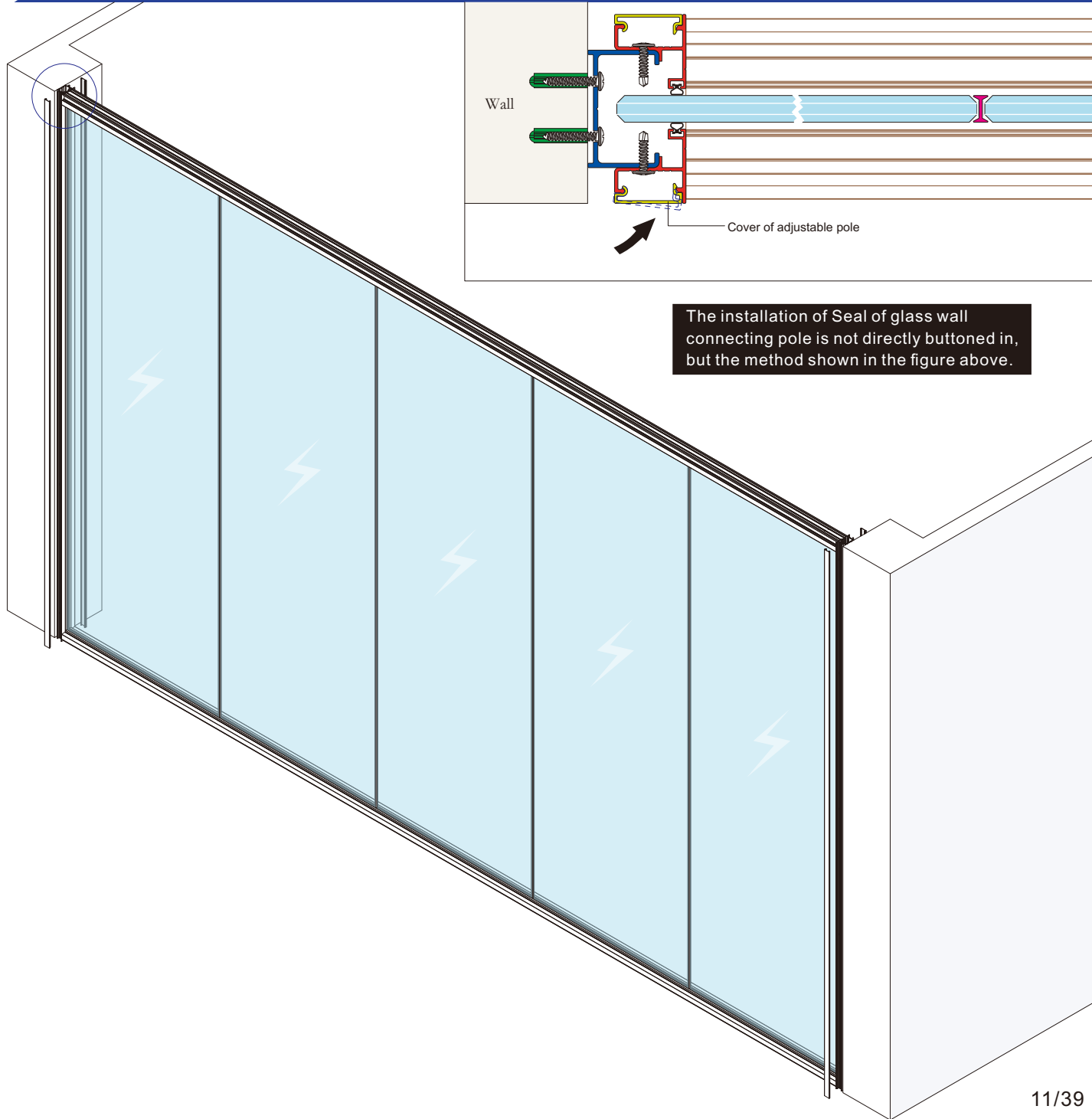
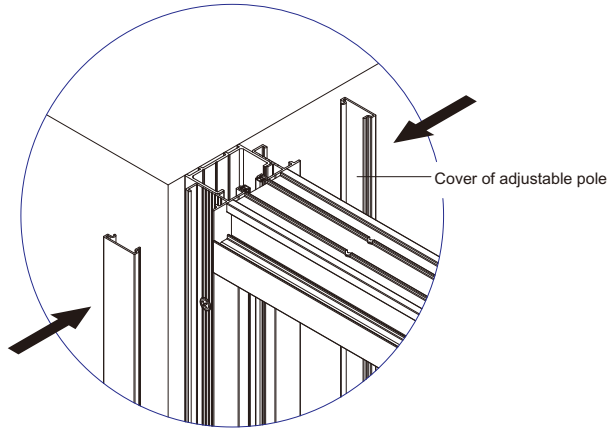
## 1.9-Installation of Seal of glass panel



When installing the glass, it is necessary to combine the Seal of MFC panel and Seal of glass panel and fix them with self drilling screws (short); At the same time, pre install the Seal of panel cover.



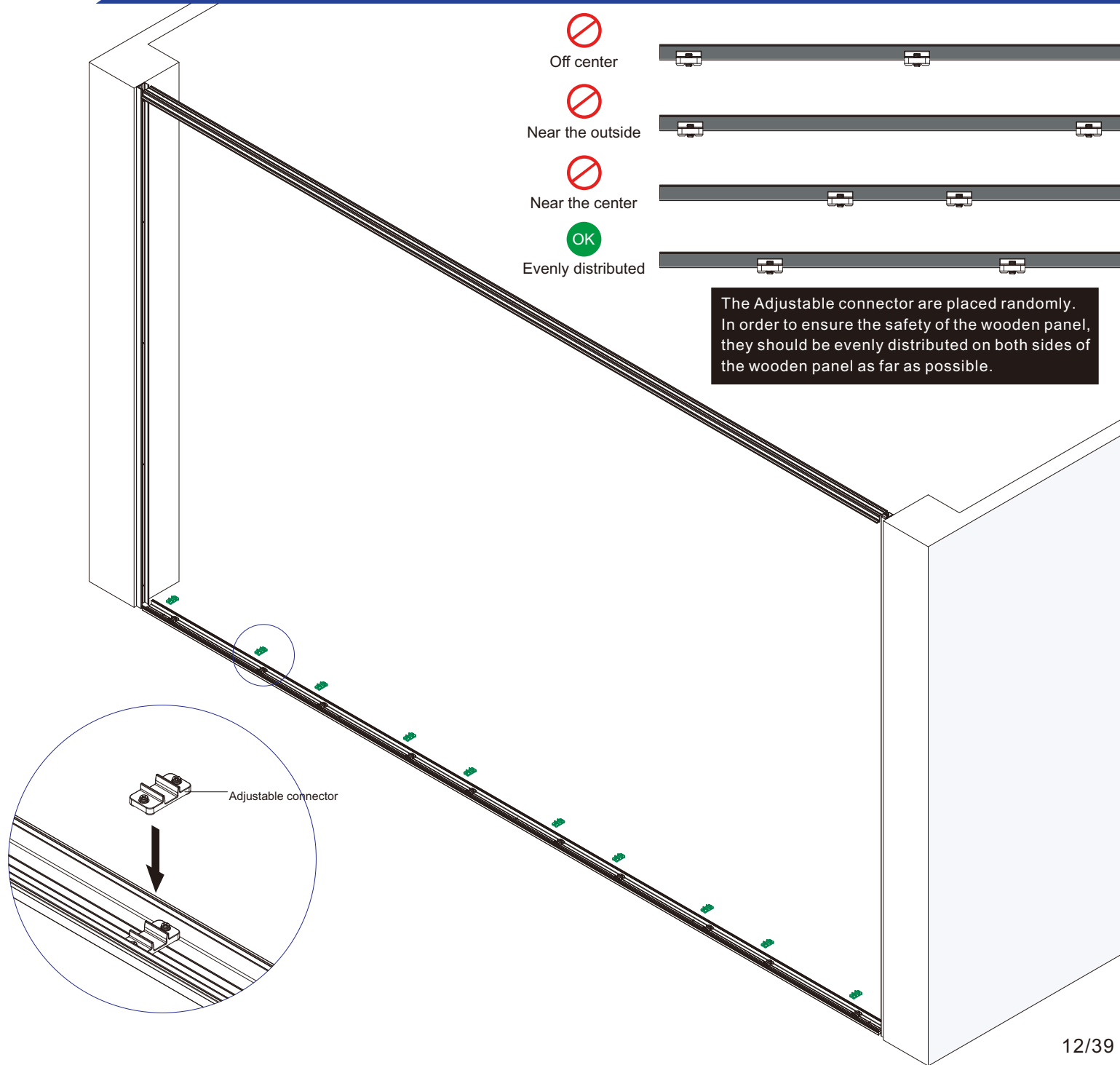
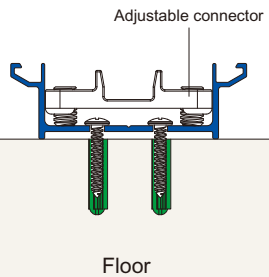
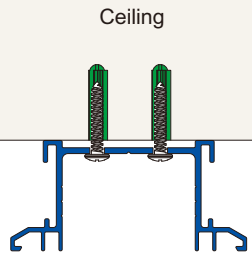
## 1.10-Installation of the Seal of glass wall connecting pole



The installation of Seal of glass wall connecting pole is not directly buttoned in, but the method shown in the figure above.

# INSTALLATION STEPS

## 2.1-Installation of Adjustable connector



Off center



Near the outside



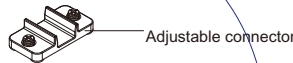
Near the center



Evenly distributed

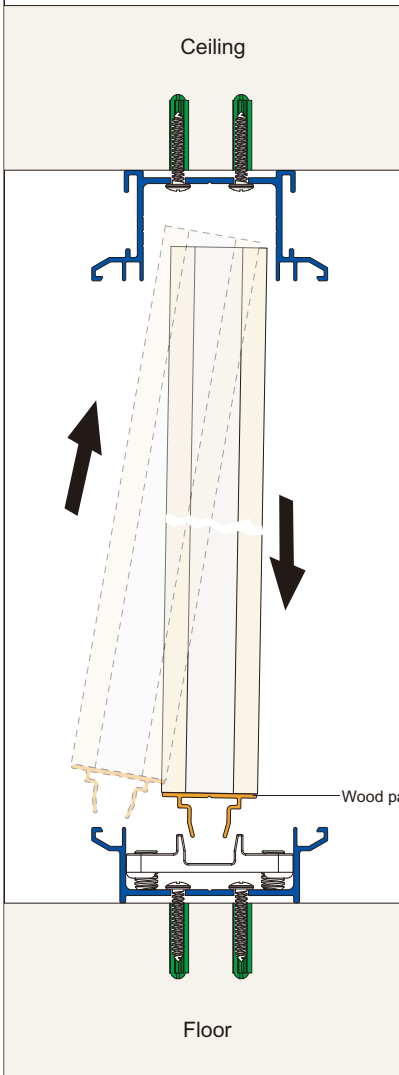


The Adjustable connector are placed randomly. In order to ensure the safety of the wooden panel, they should be evenly distributed on both sides of the wooden panel as far as possible.

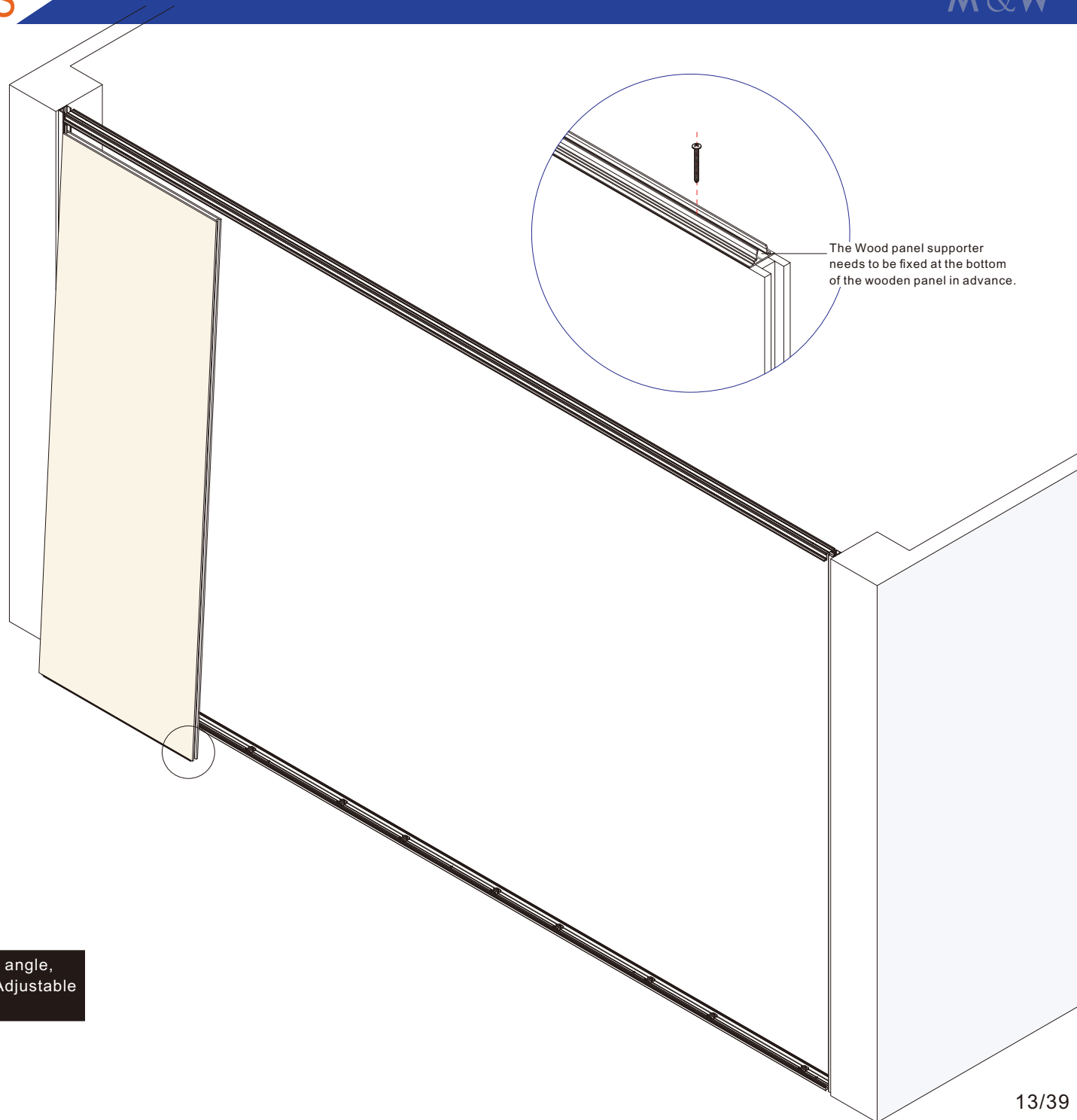


Adjustable connector

## 2.2-Installation of the first wooden panel



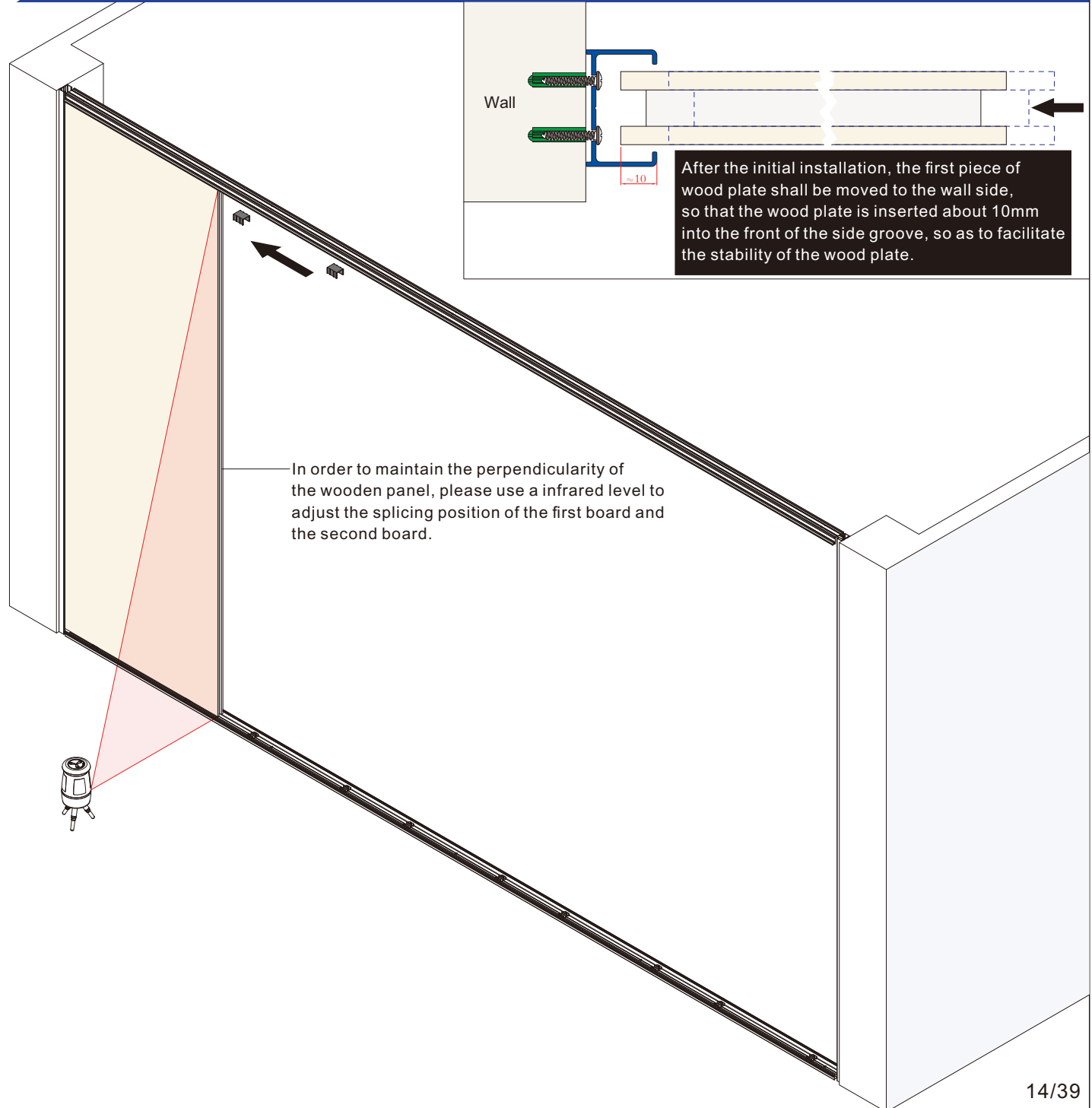
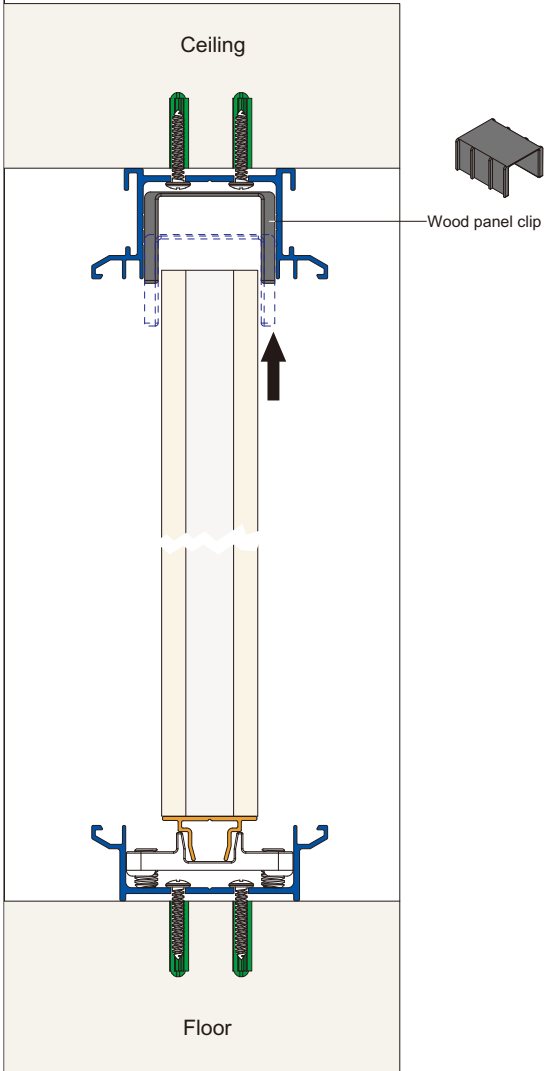
Lift the wooden panel up at an angle, and then clip it down into the Adjustable connector.



# INSTALLATION STEPS

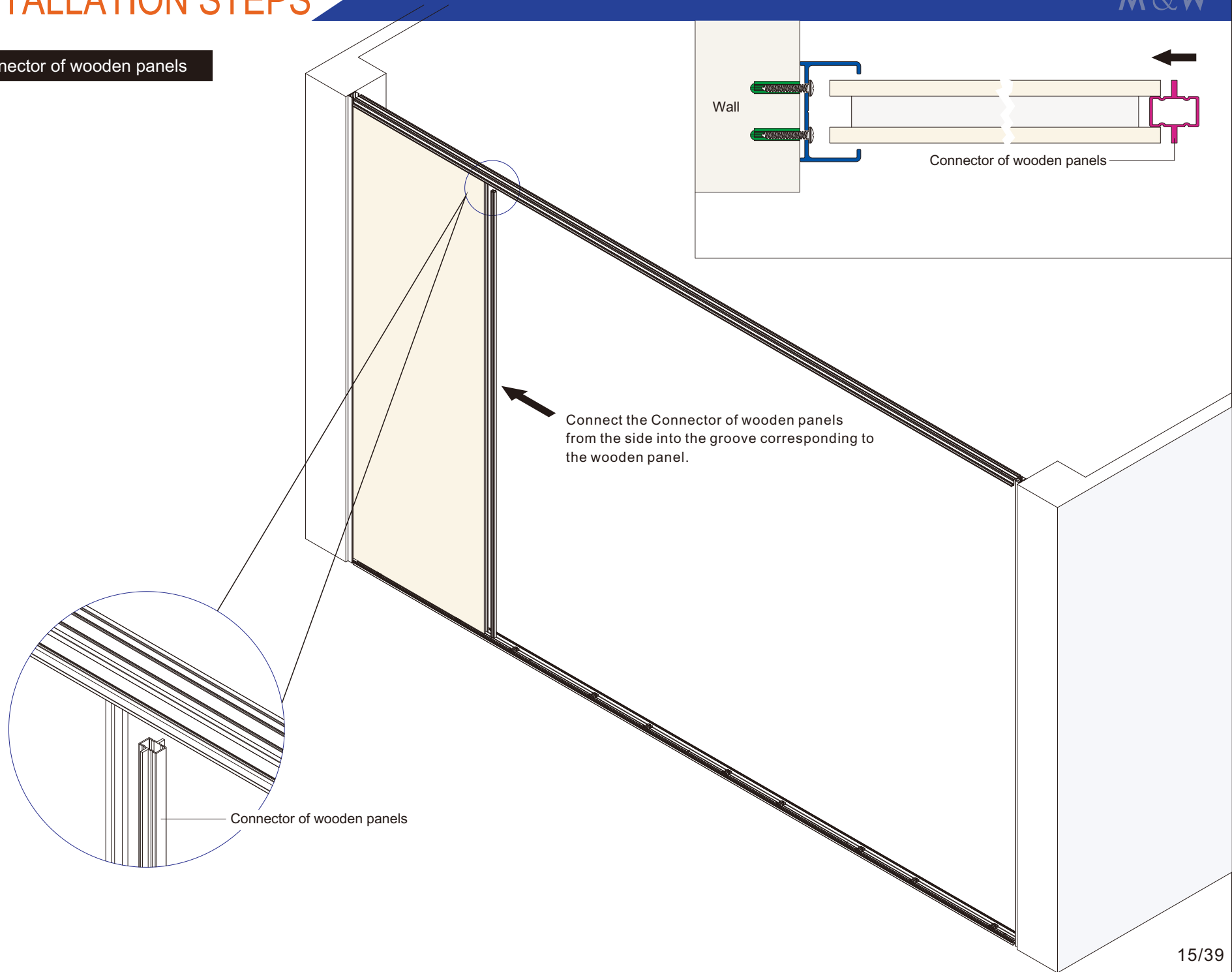
## 2.3-Installation of Wood panel clip

Clip the Wood panel clip into the ceiling groove from the side of the top of the board to fix the position of the wooden panel and push it upward as far as possible.

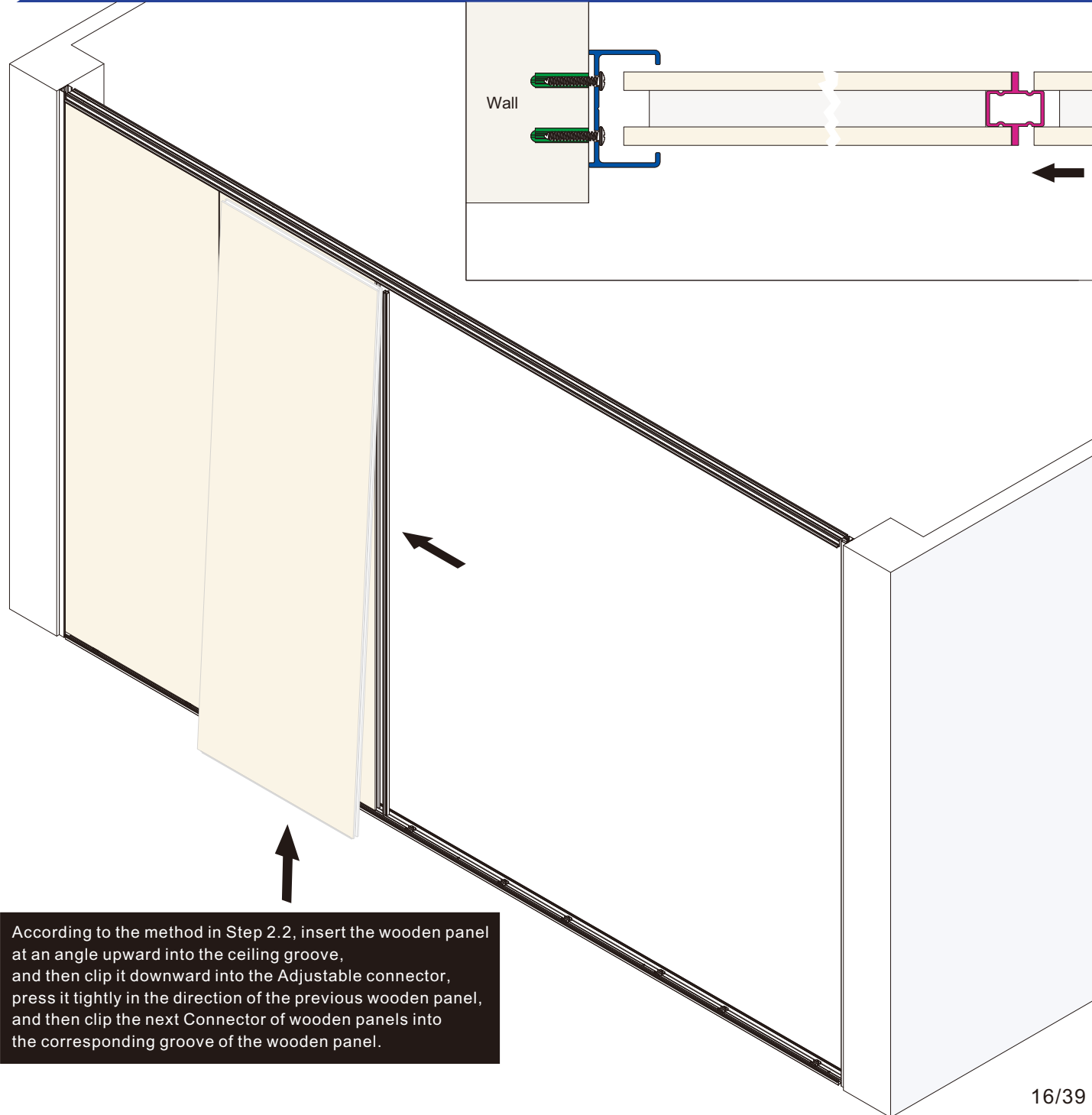




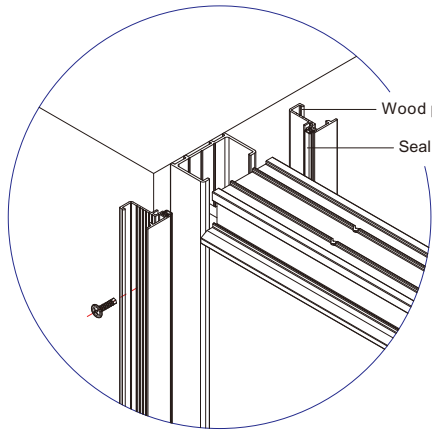
## 2.4-Installation of Connector of wooden panels



## 2.5-Installation of the subsequent wooden boards



## 2.6-Installation of the Wood panel adjustable pole

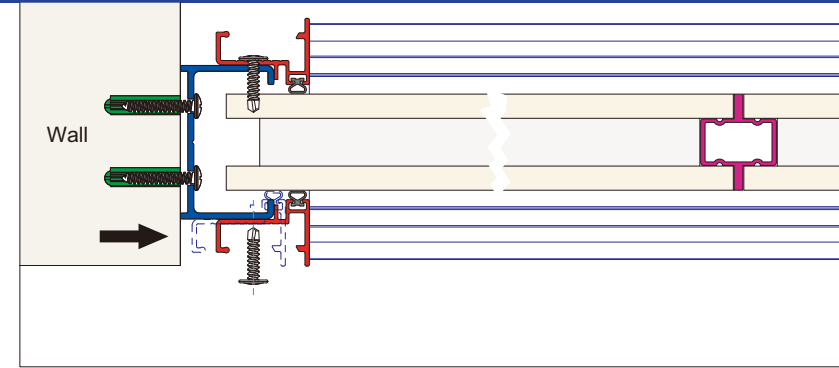


Wood panel adjustable pole  
Seal of panel cover

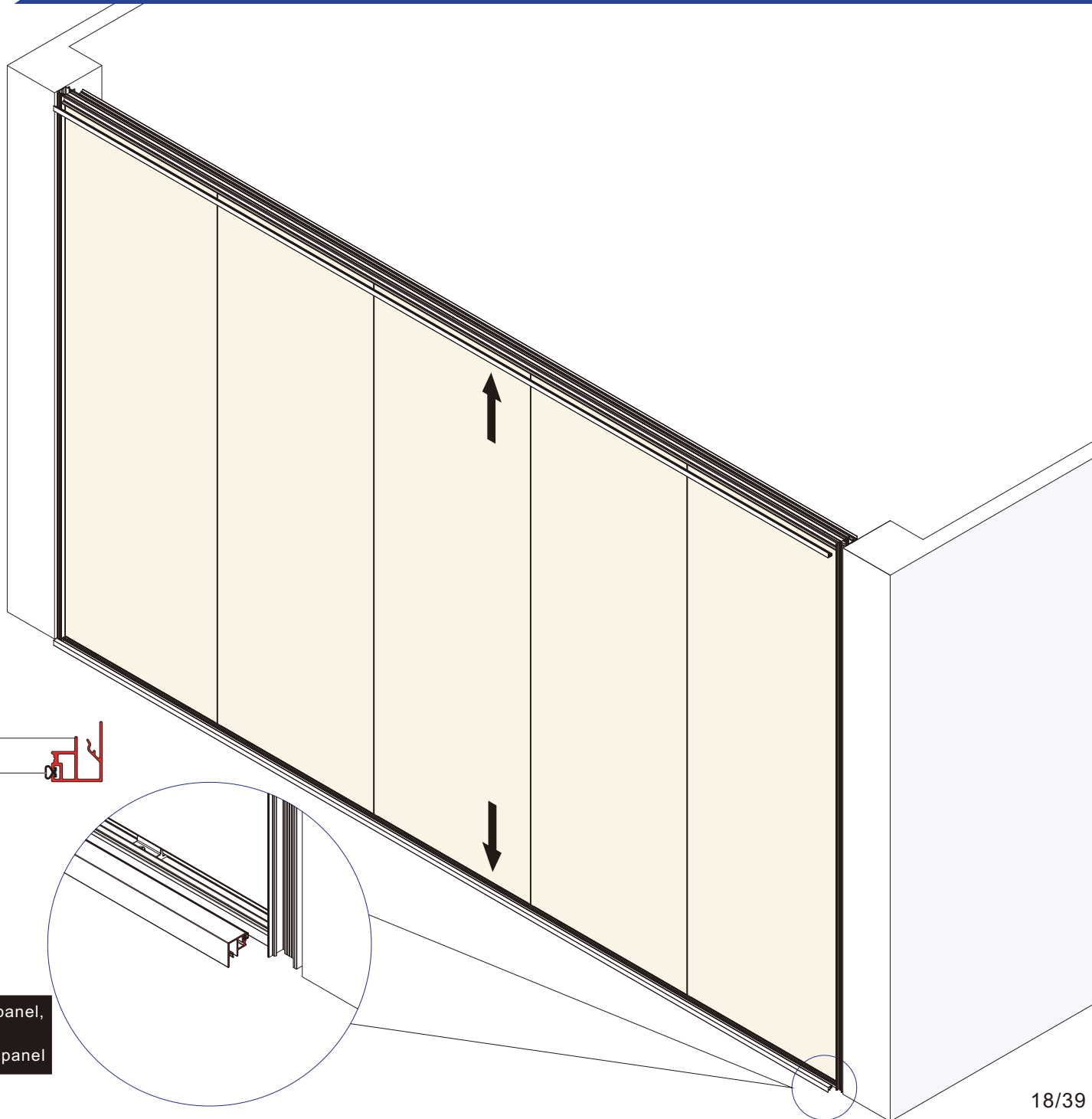
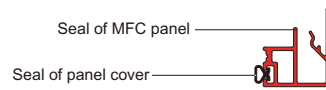
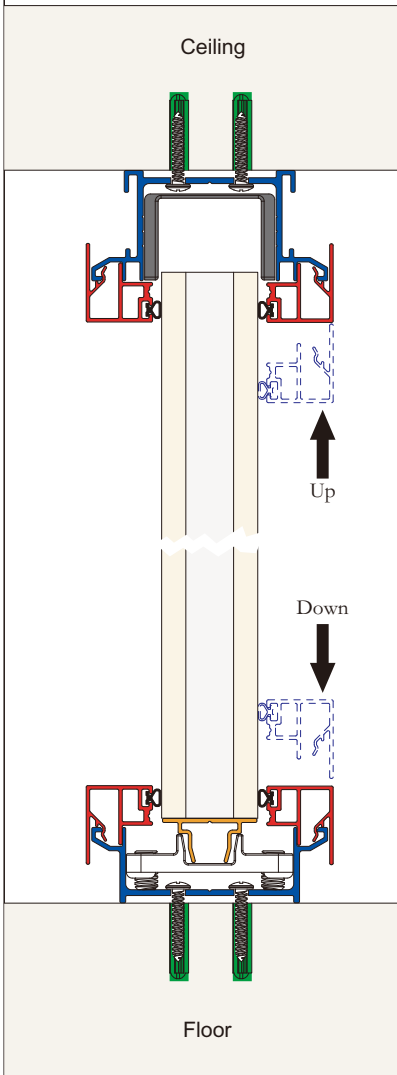
The Seal of panel cover needs to be installed in the Wood panel adjustable pole in advance, and then fixed to the side groove with self drilling screws.



The position of the Wood panel adjustable pole shall be close to the ceiling groove and the bottom groove, and the infrared level shall be used to ensure the installation effect.

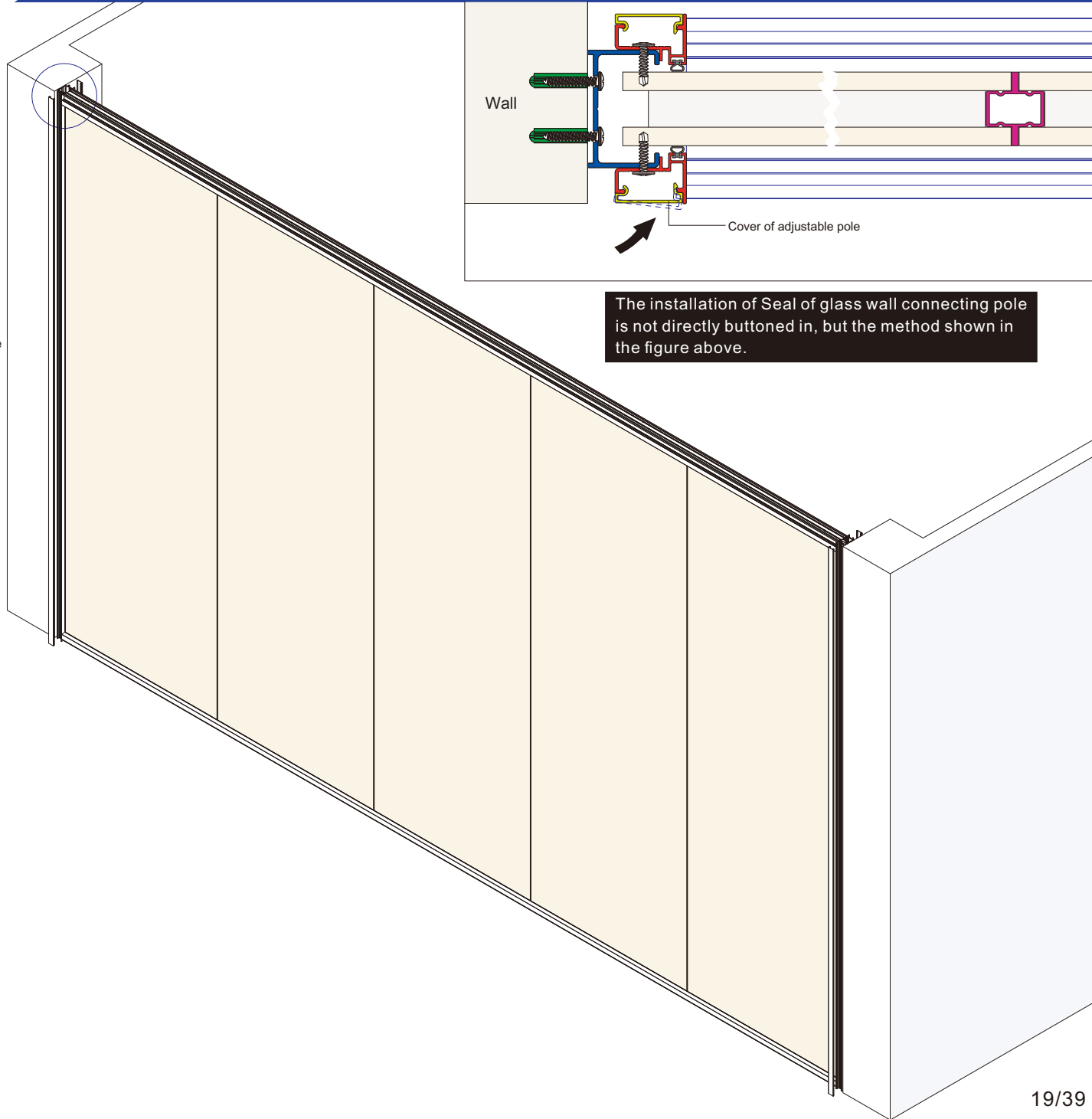
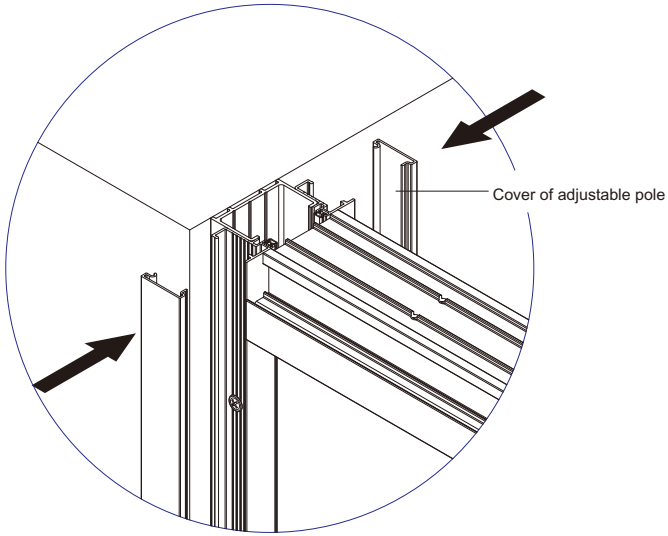


## 2.7-Installation of the Seal of MFC panel



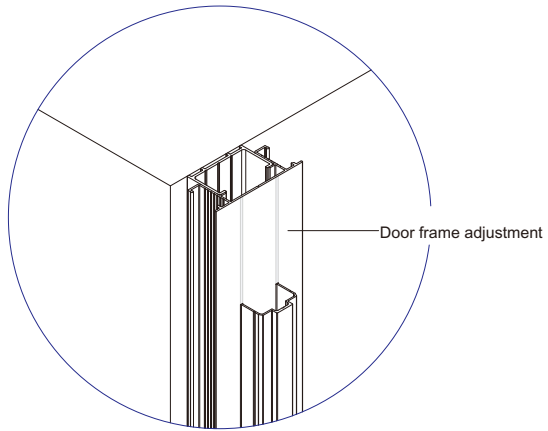
Before install the Seal of MFC panel,  
Seal of panel cover must be  
preassembled on Seal of MFC panel

## 2.8-Installation of the Seal of glass wall connecting pole

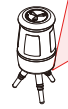


The installation of Seal of glass wall connecting pole is not directly buttoned in, but the method shown in the figure above.

## 3.1-Installation of L shape pole

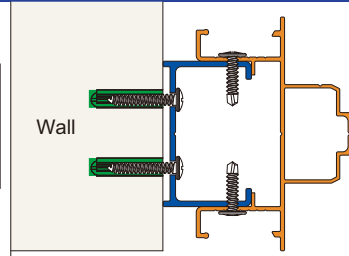


The installation of side groove is started as in 1.1. The difference is that the Wood panel adjustable pole or Glass panel adjustable pole is replaced by the L shape pole.  
Note: notch shall be milled on the L shape pole and vertical adjustment shall be made with the help of a infrared level.

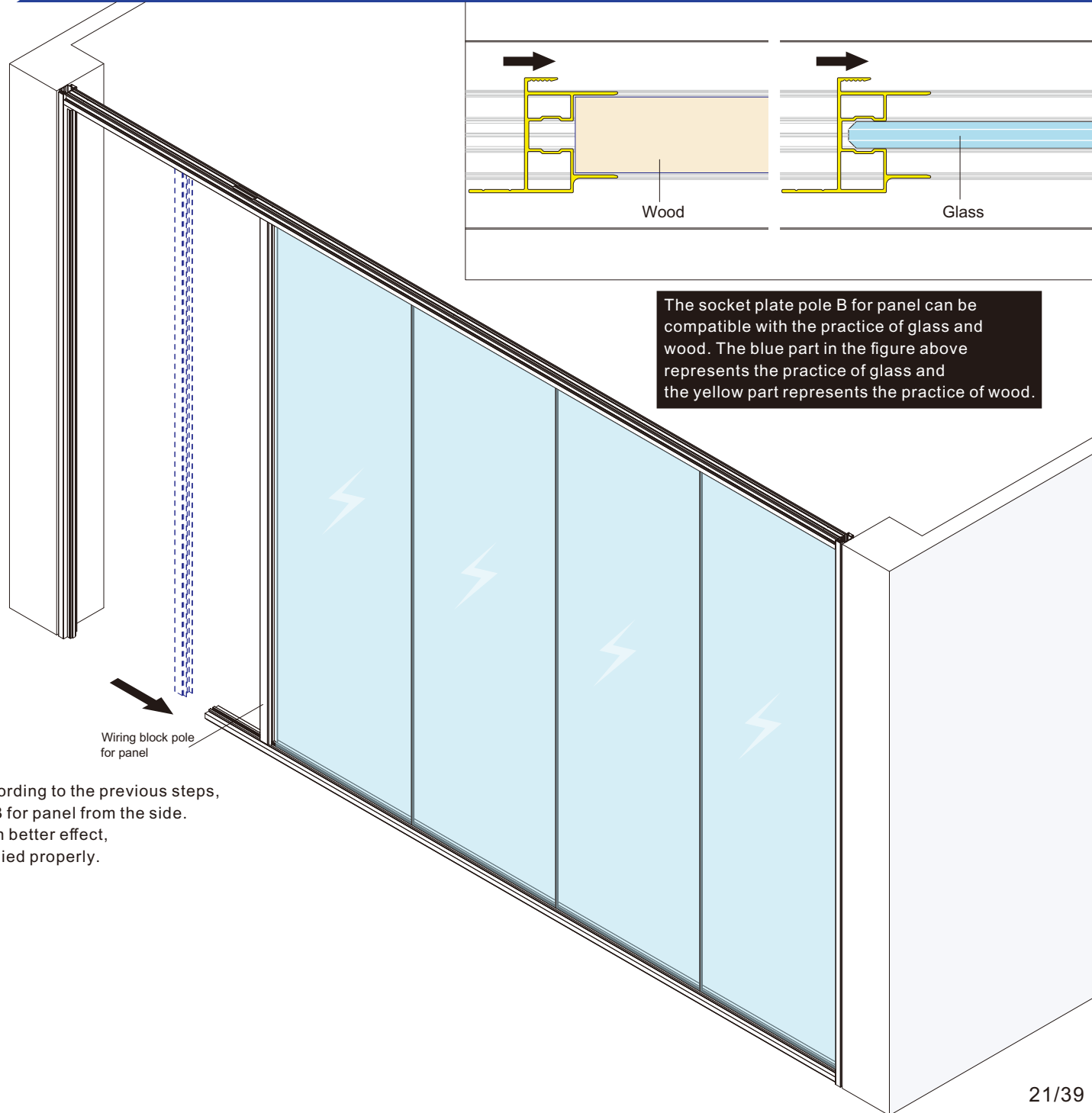


When making the door, the width of the door frame shall be reduced correspondingly.

If the ceiling wiring is required, please drill the wiring hole in the corresponding position of the ceiling groove in advance.



## 3.2-Installation of the socket plate pole B for panel

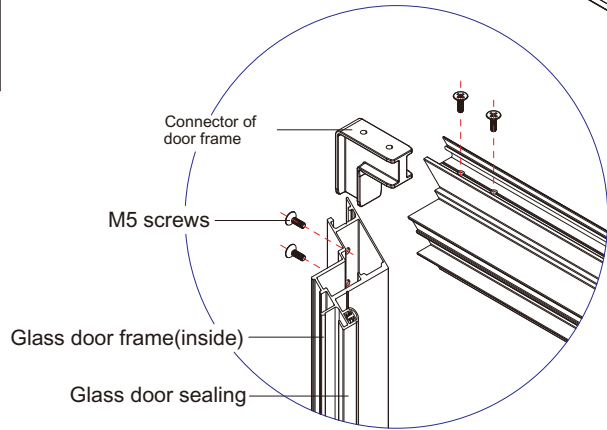
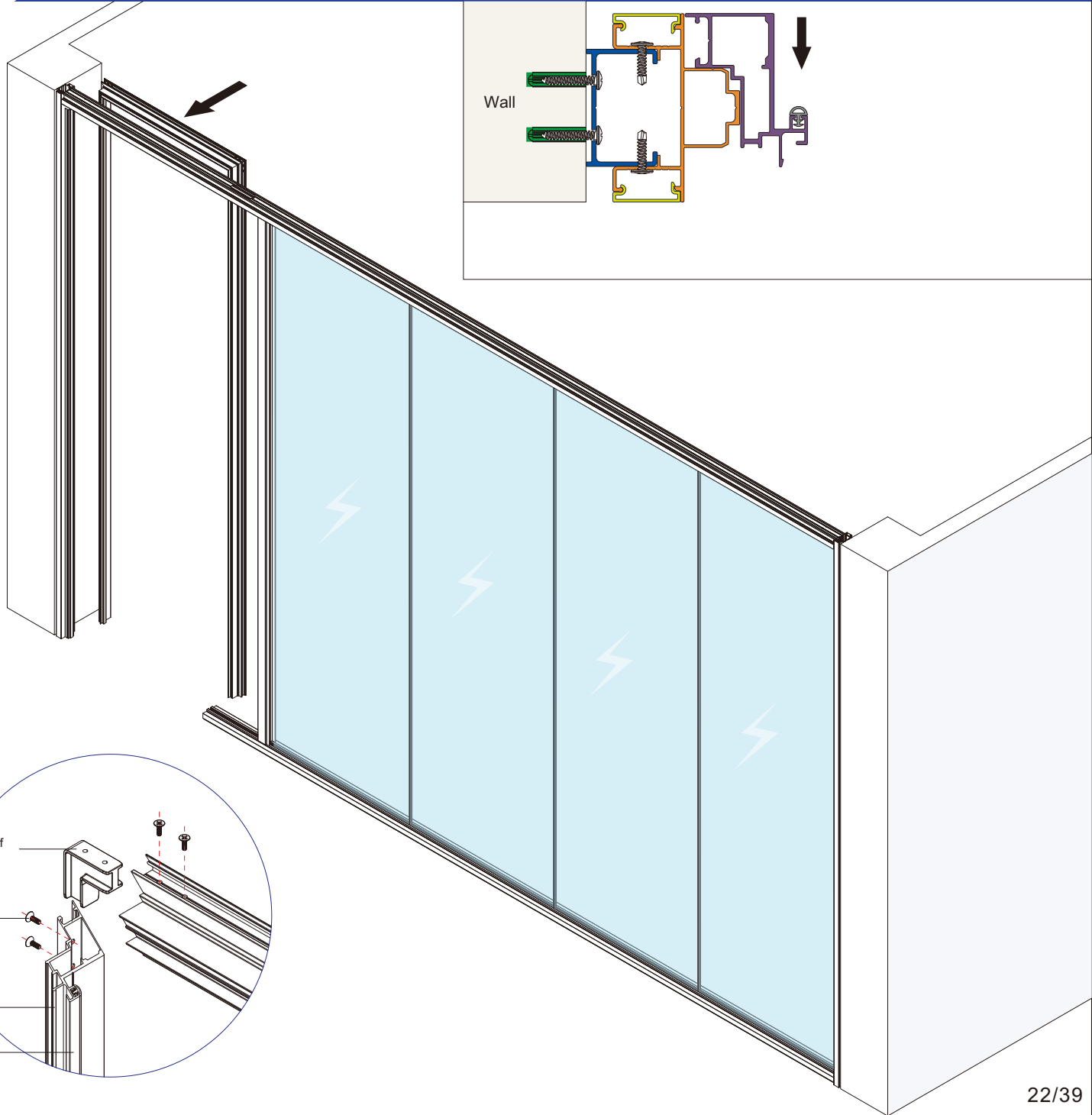


The socket plate pole B for panel can be compatible with the practice of glass and wood. The blue part in the figure above represents the practice of glass and the yellow part represents the practice of wood.

After installing the glass according to the previous steps, clip in the socket plate pole B for panel from the side. At this time, in order to obtain better effect, a little glass glue can be applied properly.

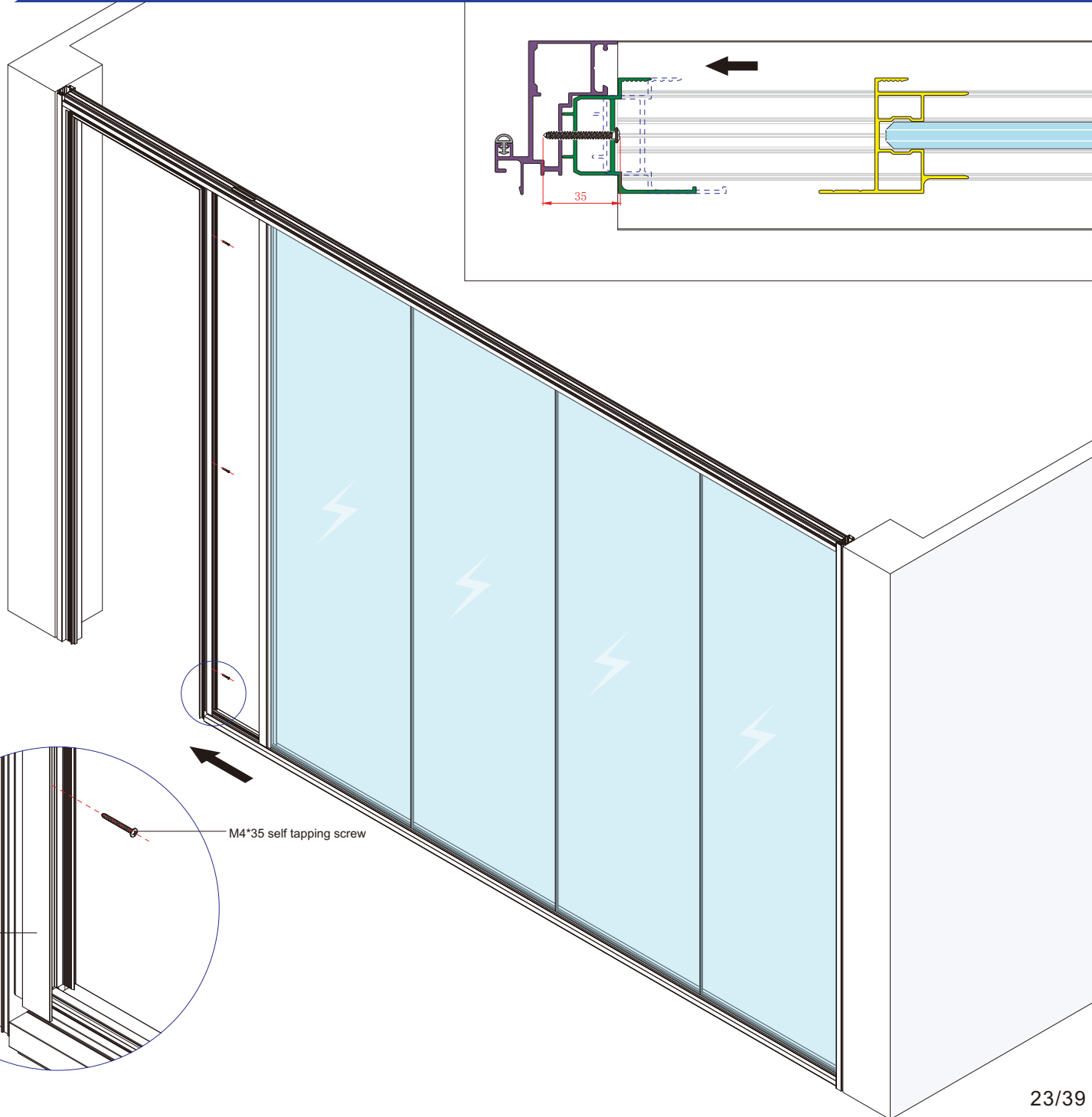
## 3.3-Installation of the Glass door frame (inside)

The Glass door frame (inside) must be completely assembled before it can be integrated into the L shape pole from the side.





## 3.4-Installation of the socket plate pole A for panel



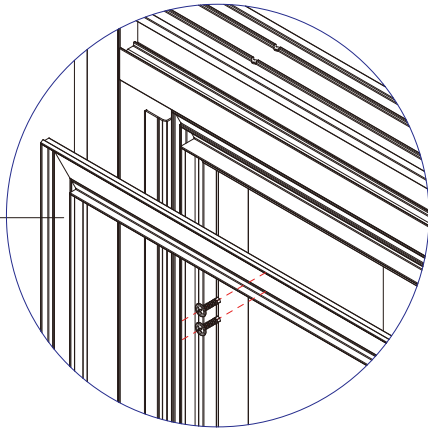
The length of self tapping screw must be selected according to the length requirements, otherwise it will pierce the door frame if it is too long, and it cannot be fixed if it is too short

Wiring block pole for door frame

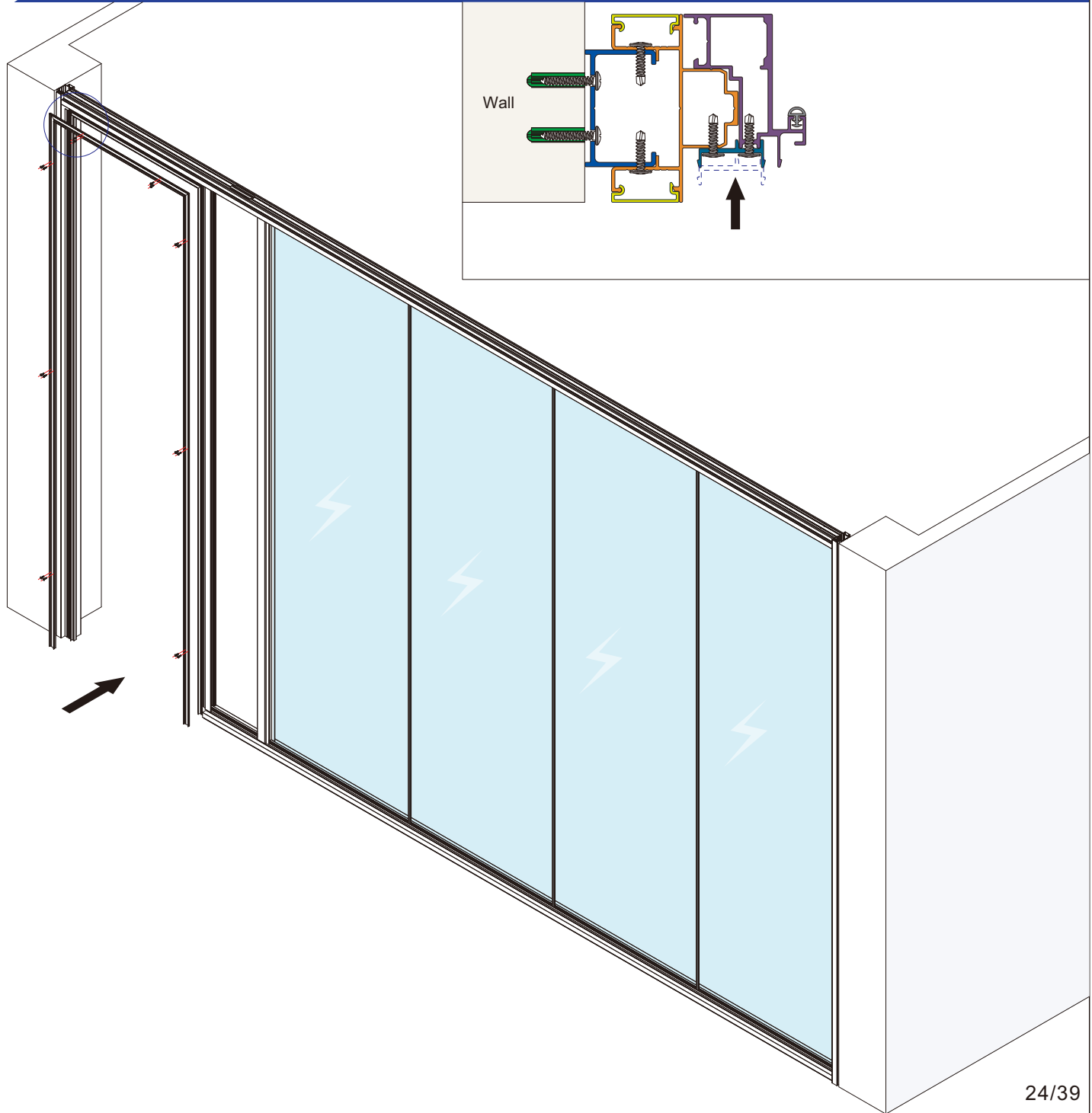
M4\*35 self tapping screw

## 3.5-Installation of the Door frame connector

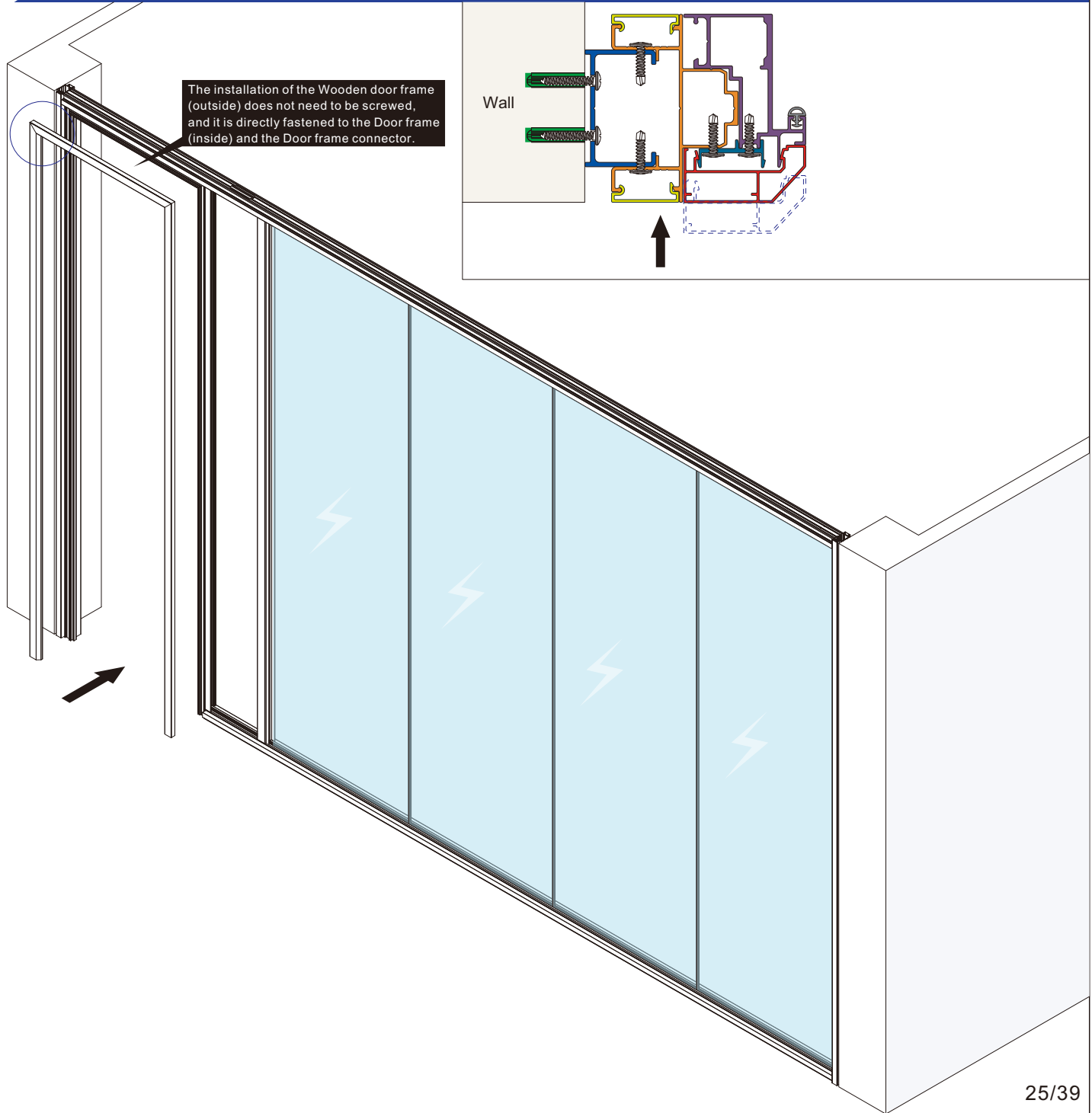
Door frame connector



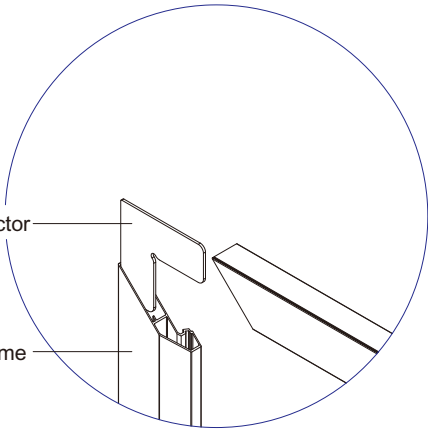
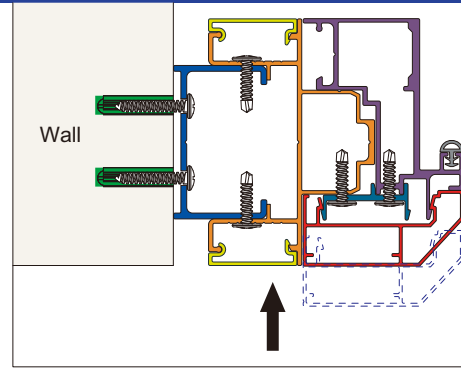
The door frame connector can be installed in one piece or in a small section



## 3.6-Installation of the Wooden door frame (outside)

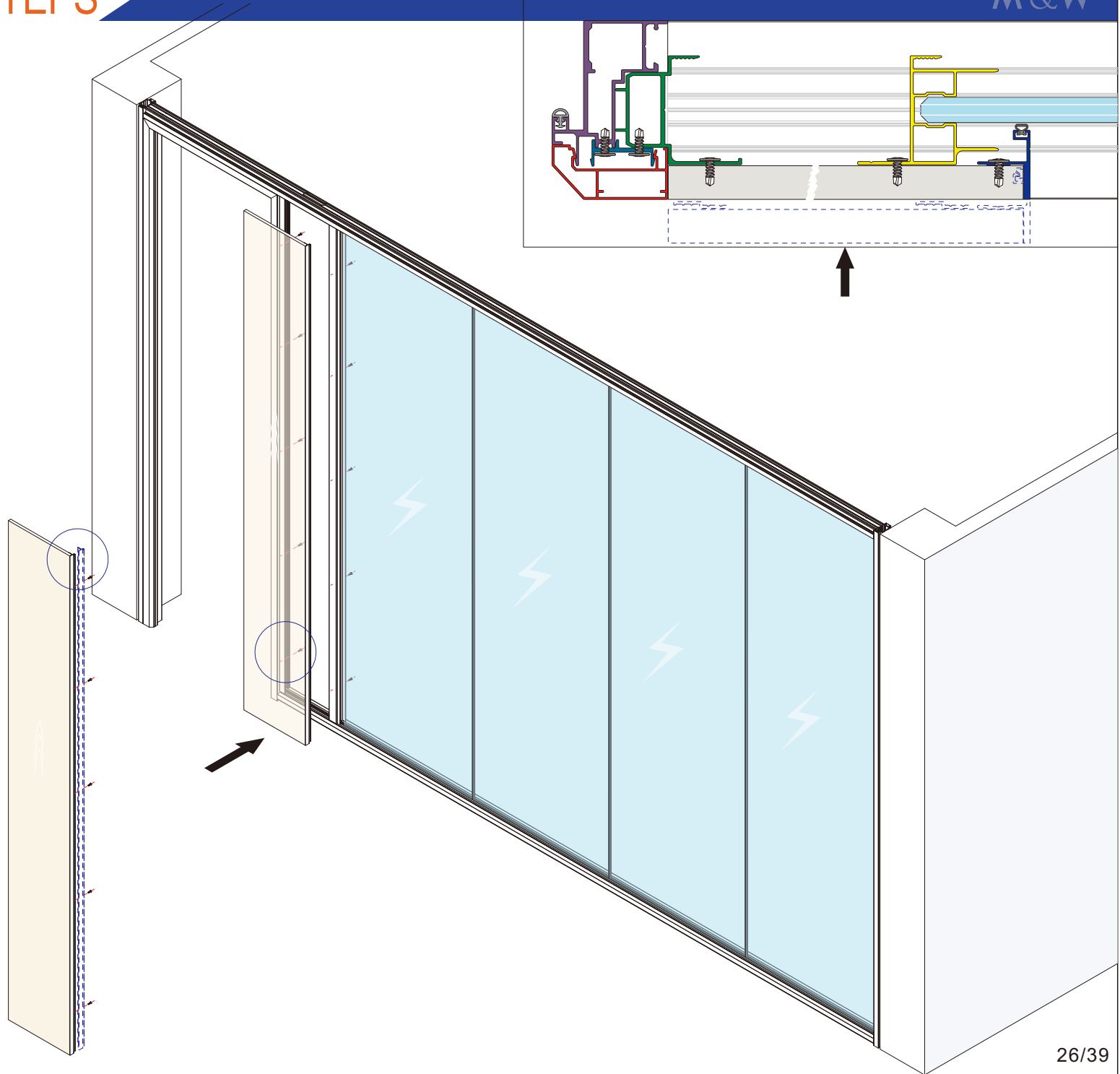
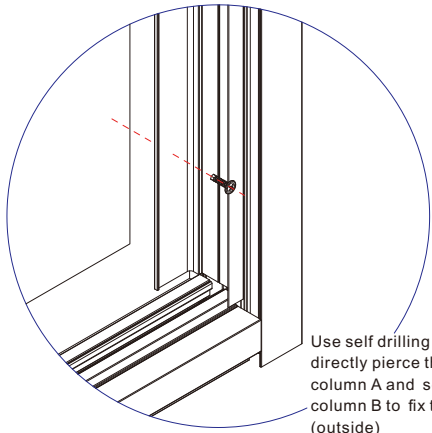
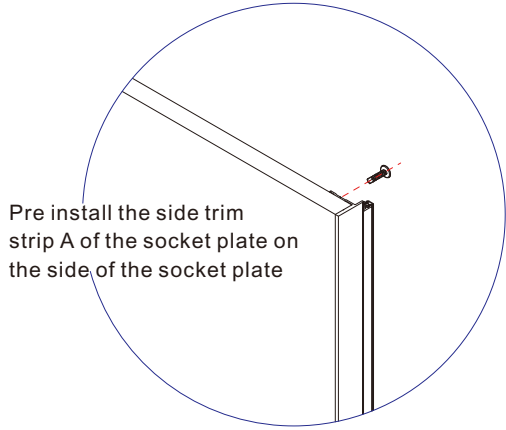


The installation of the Wooden door frame (outside) does not need to be screwed, and it is directly fastened to the Door frame (inside) and the Door frame connector.

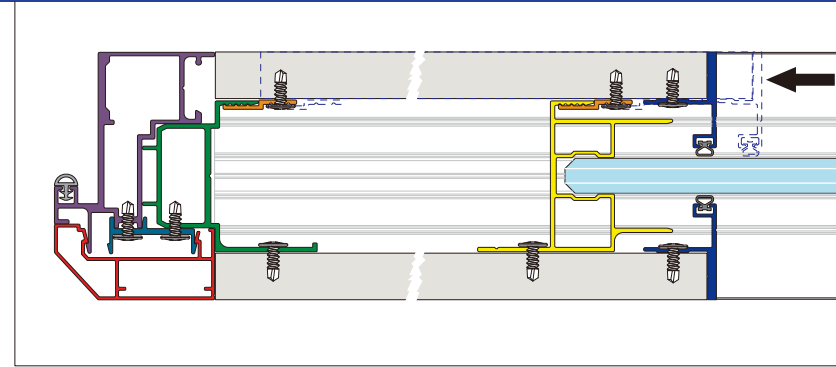
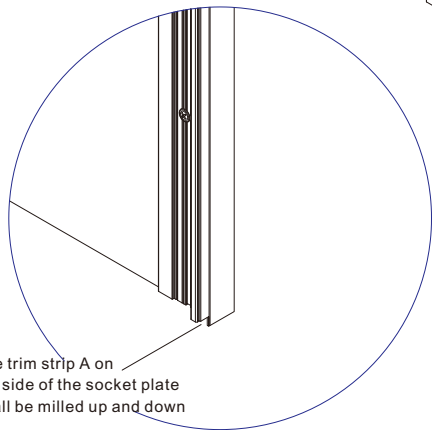
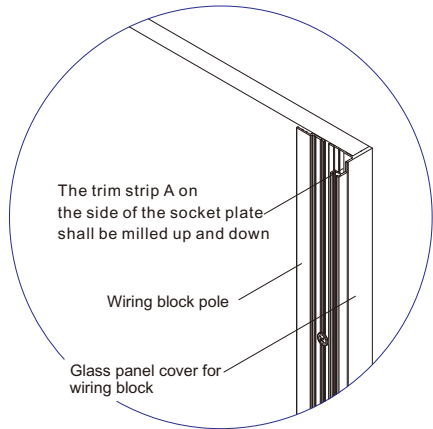


# INSTALLATION STEPS

## 3.7-Installation of socket board (outside)



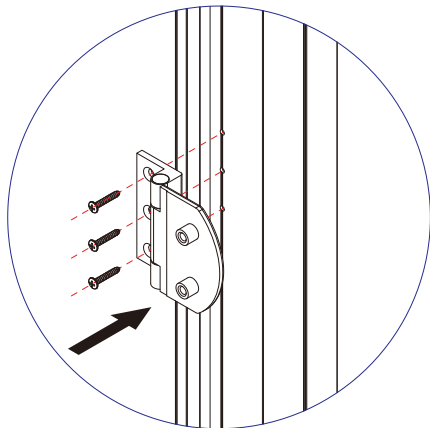
## 3.8-Installation of the socket board (inside)



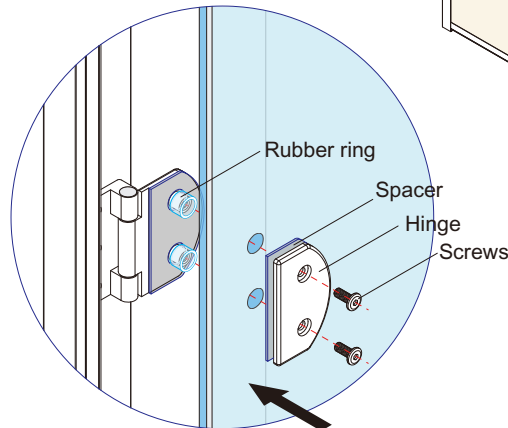
The installation of the socket board (inner) is inserted from the side, which is different from the installation of the socket board (outer)

## 3.9-Installation of the glass door and door hinges

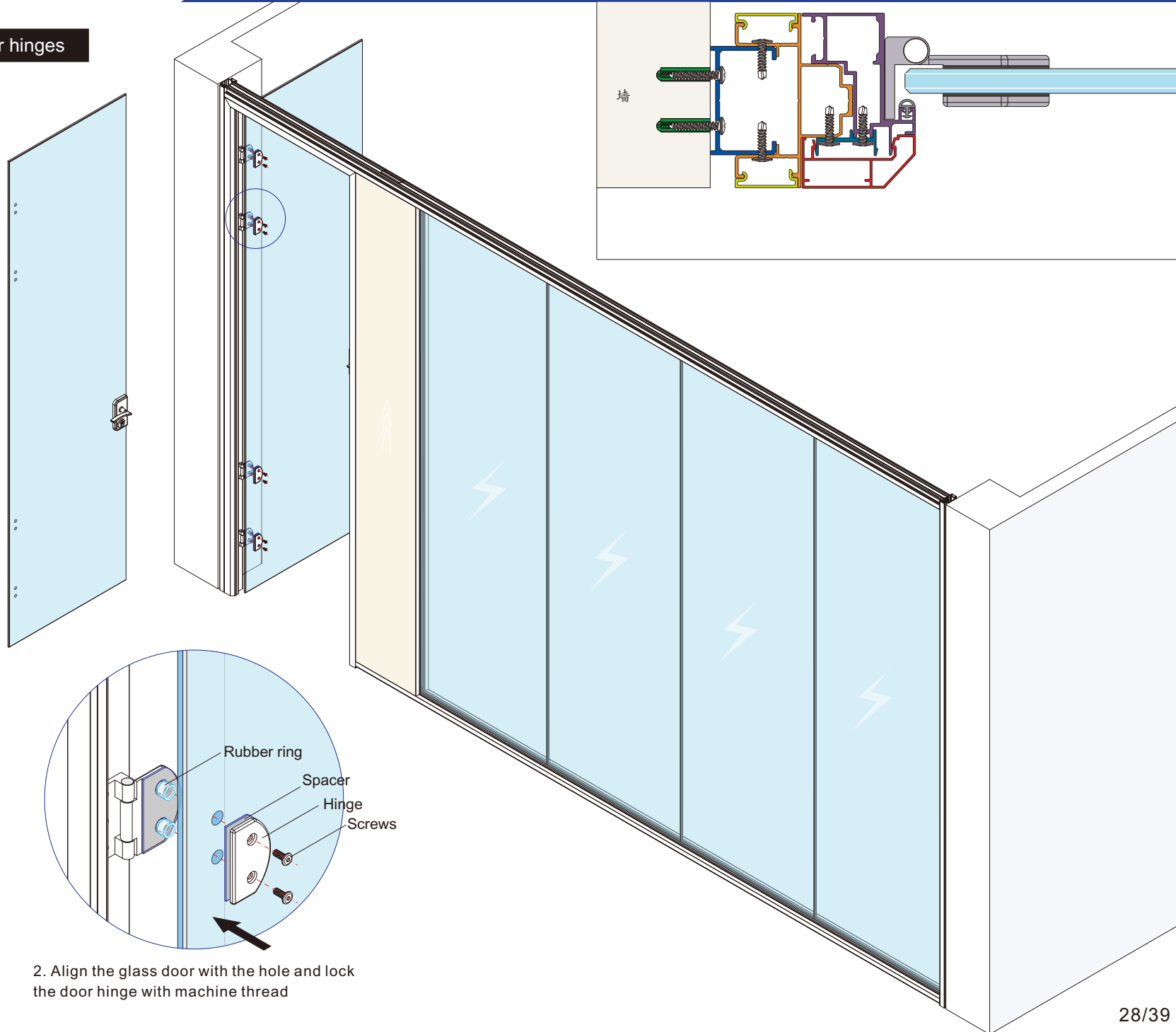
The hinge hole and lock hole of glass door shall be processed in advance. For safety, 3 door hinges shall be used for the height below H2400mm, and 4 door hinges are recommended for the height above H2400mm



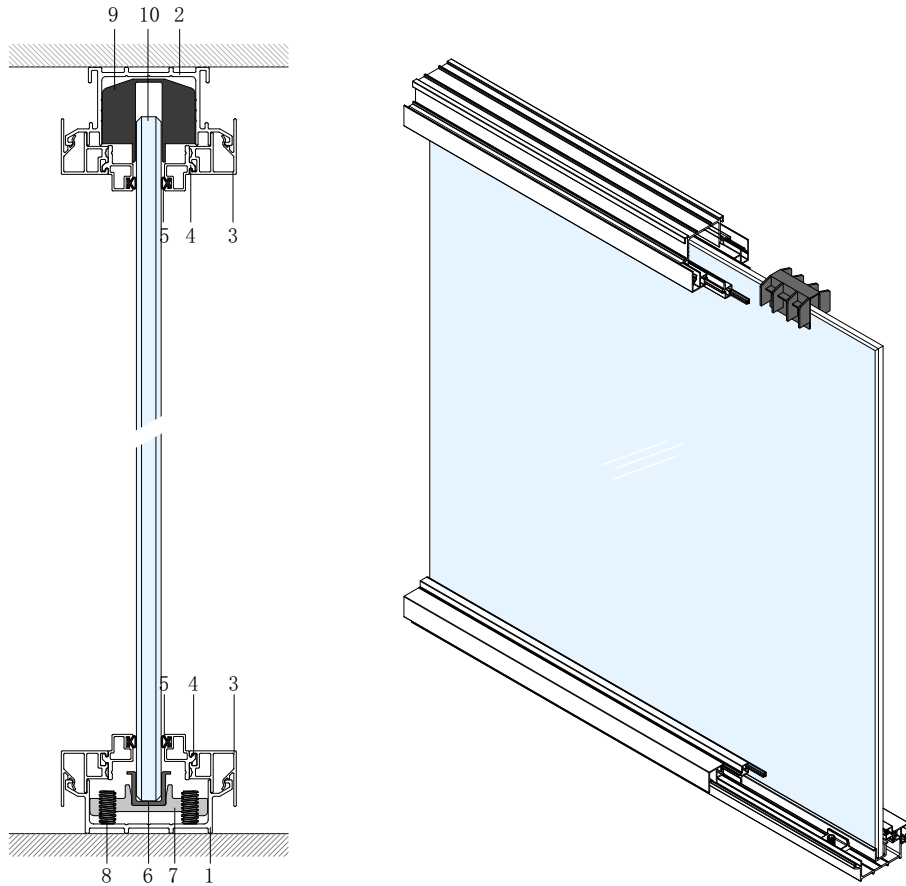
1. Fix the hinge on the door frame inside the glass door with tapping screws



2. Align the glass door with the hole and lock the door hinge with machine thread

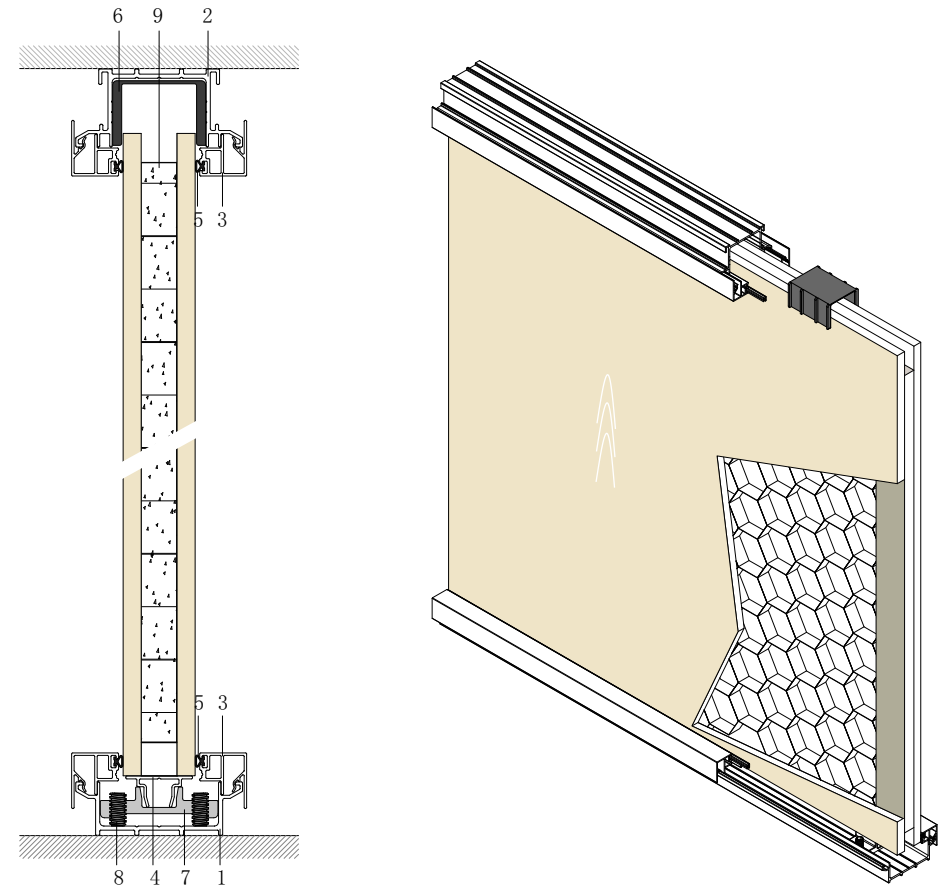


## 1. Glass panel



1. Bottom groove 7141#
2. Ceiling groove 6936#
3. Seal of MFC panel 7131#
4. Seal of glass panel 7132#
5. Seal of panel cover PQ5#
6. Glass panel rubber U142#
7. Adjustable connector
8. M8\*20 Screw
9. Glass panel clip
10. 12mm Toughened glass

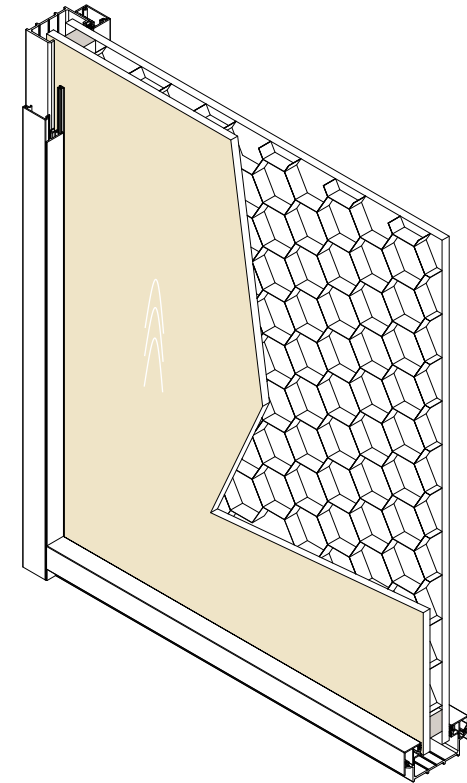
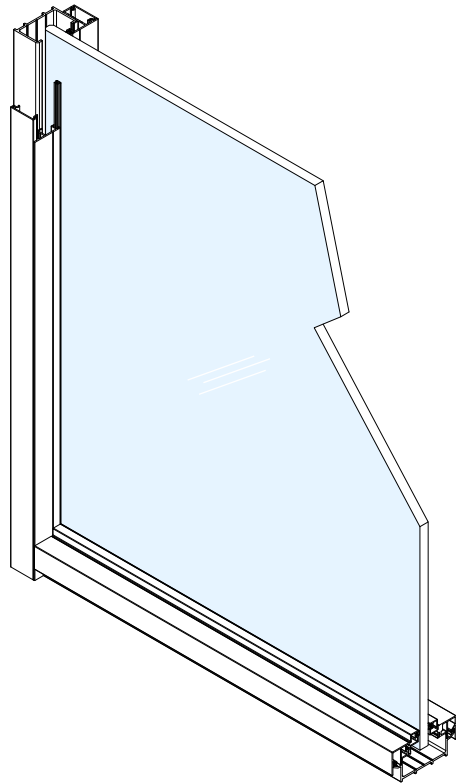
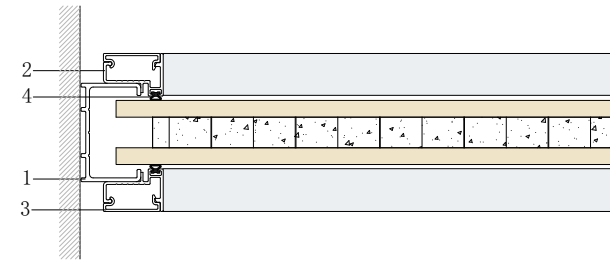
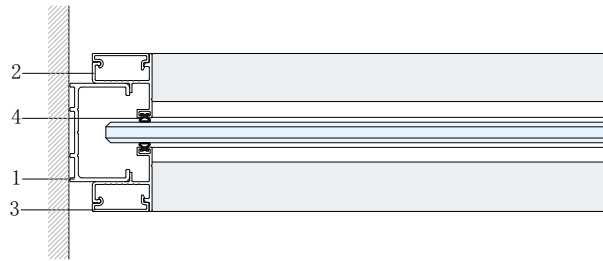
## 2. Wood panel



1. Bottom groove 7141#
2. Ceiling groove 6936#
3. Seal of MFC panel 7131#
4. Wood panel supporter 7130#
5. Seal of panel cover PQ5#
6. Wood panel clip
7. Adjustable connector
8. M8\*20 Screw
9. MFC panel (9mm+16mm+9mm)

## 3. Glass-side groove

## 4. Wood-side groove

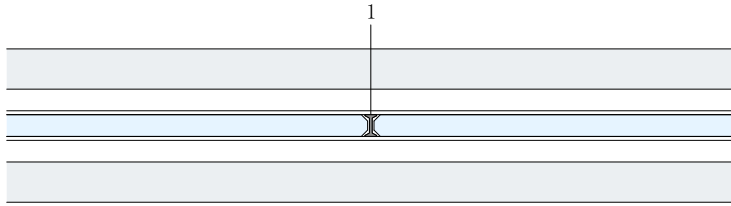


- 1.Side groove 6712#
- 2.Glass panel adjustable pole 7129#
- 3.Cover of adjustable pole 6714#
- 4.Seal of panel cover PQ5#

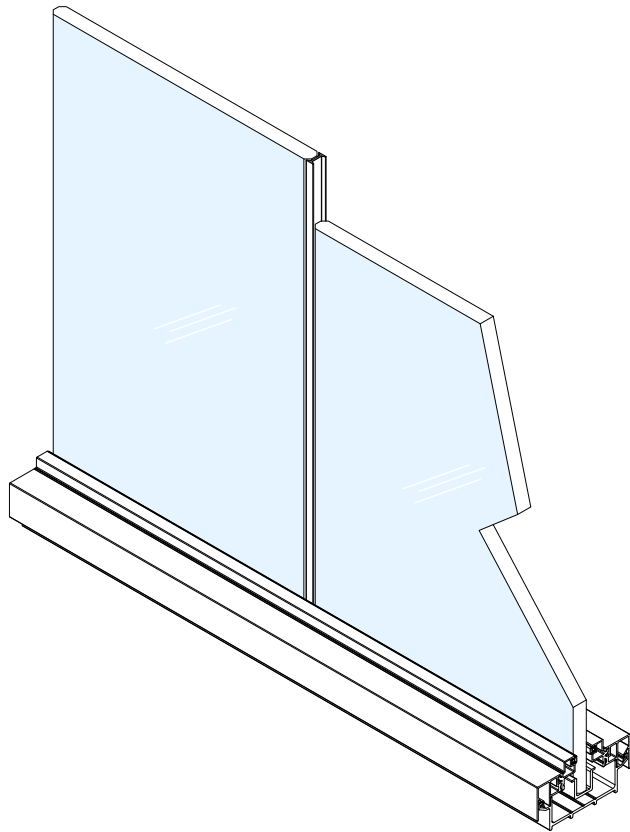
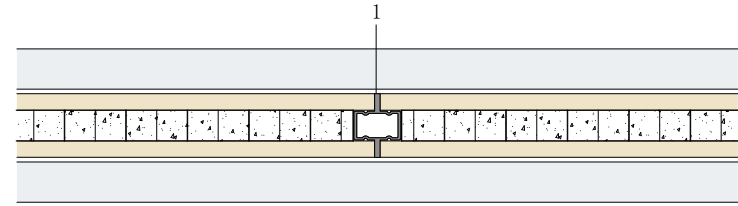
- 1.Side groove 6712#
- 2.Wood panel adjustable pole 7128#
- 3.Cover of adjustable pole 6714#
- 4.Seal of panel cover PQ5#



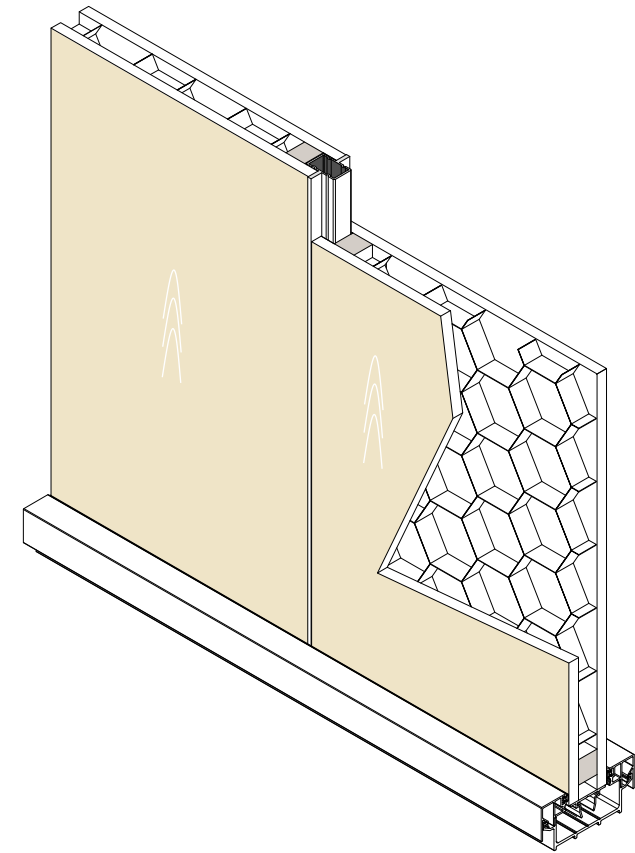
5. Glass-straight shape



6. Wood-straight shape

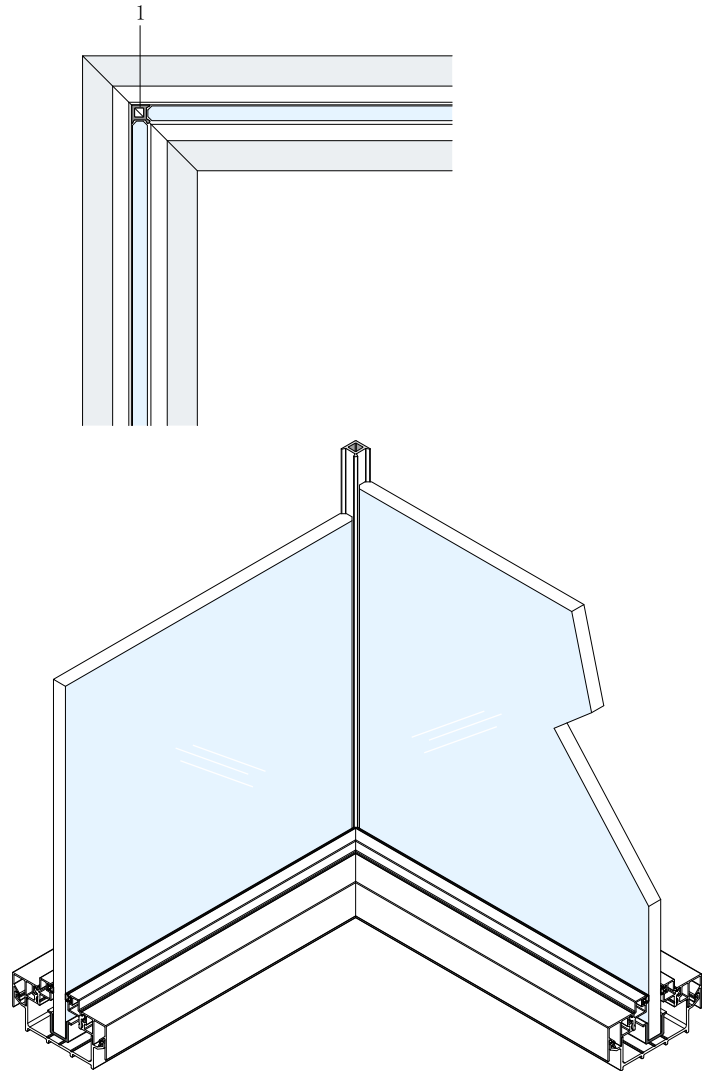


1, Double glass groove FU182-003#



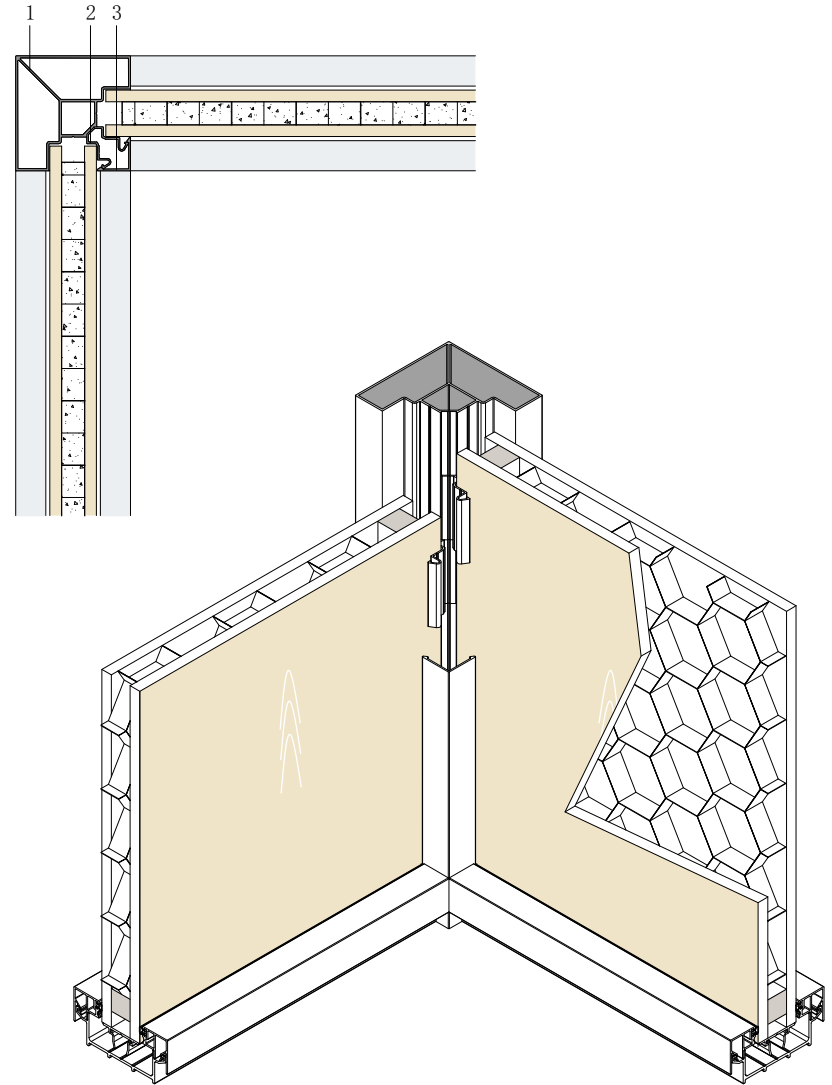
1, Connector of wooden panels 5850#

## 7. Glass-L shape



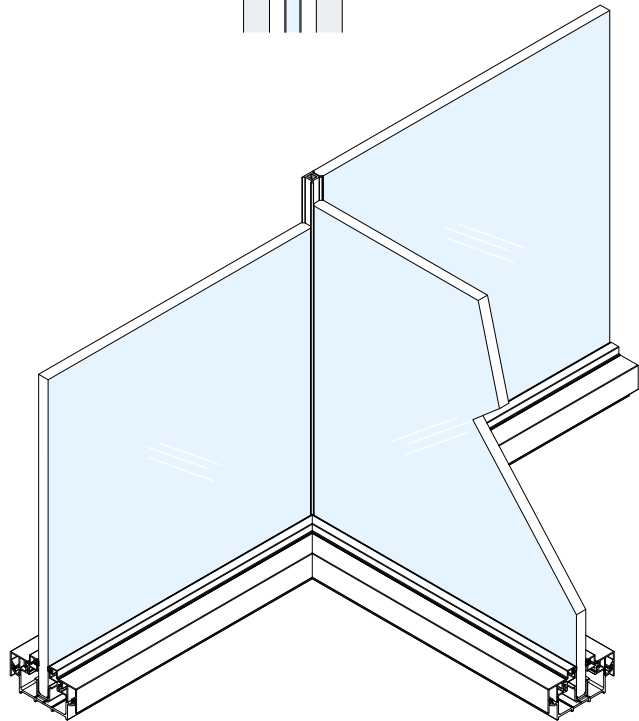
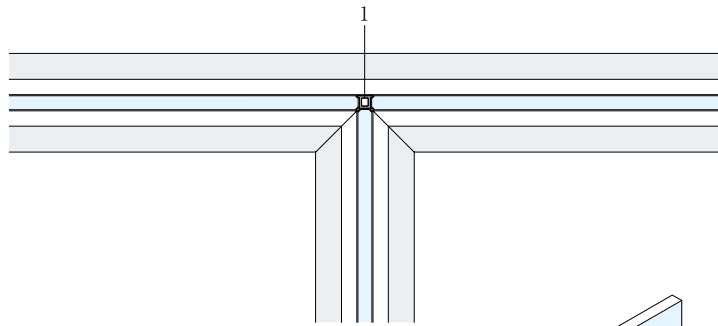
1.L shape glass groove FU182-008

## 8. Wood-L shape



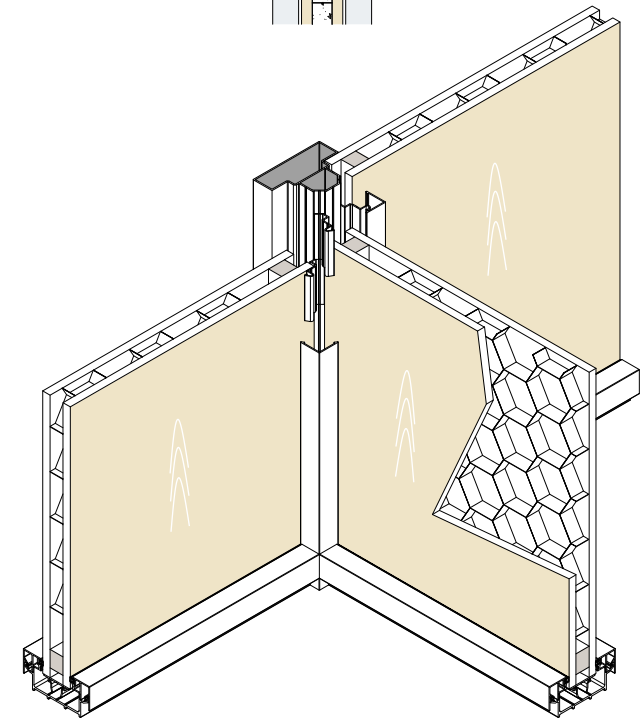
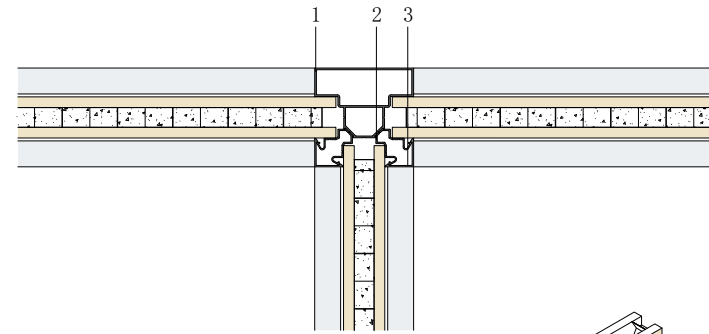
- 1.L shape pole 7136#
- 2.Cover connector 7126#
- 3.Cover of corner pole 7127#

## 9. Glass-T shape



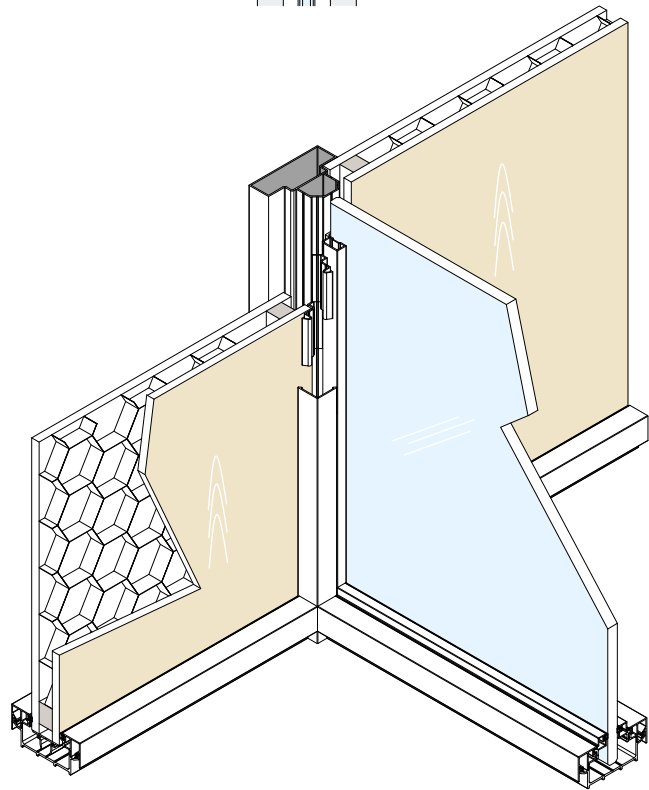
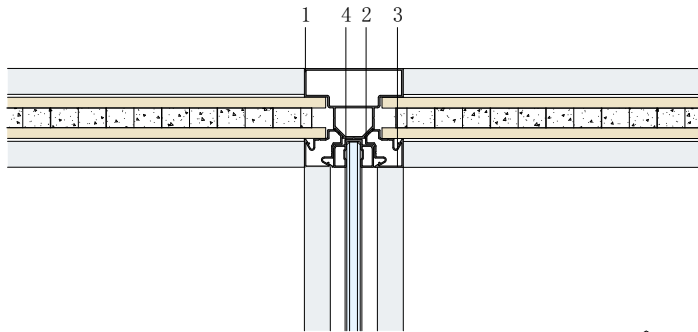
1.T shape glass groove FU182-007

## 10. Wood-T shape



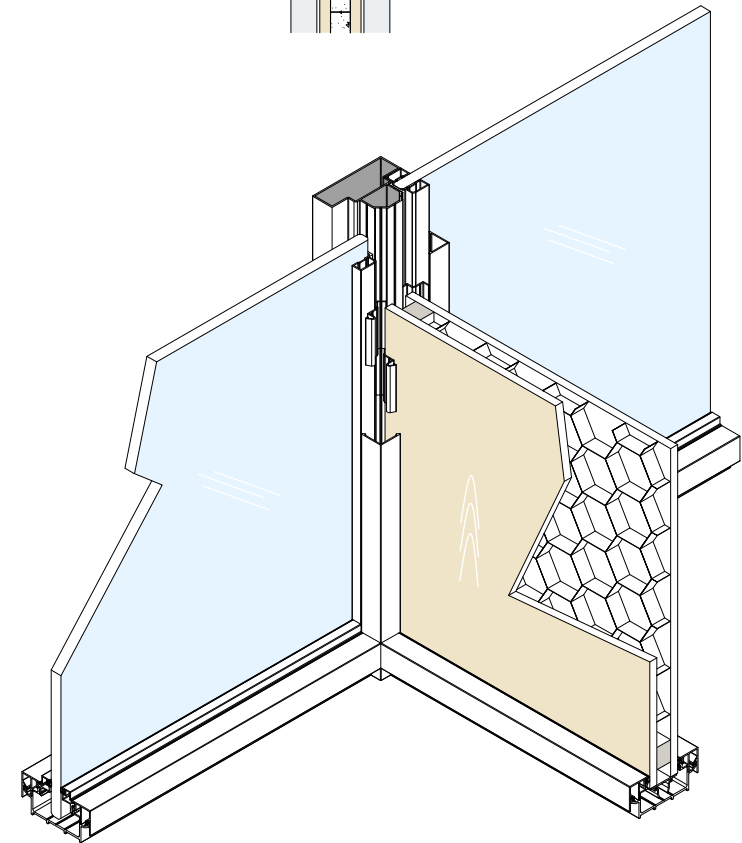
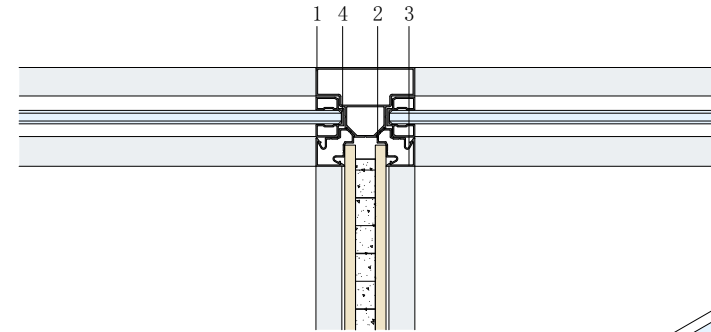
1.T shape pole 7125#  
2.Cover connector 7126#  
3.Cover of corner pole 7127#

11. Glass & wood & wood-T shape



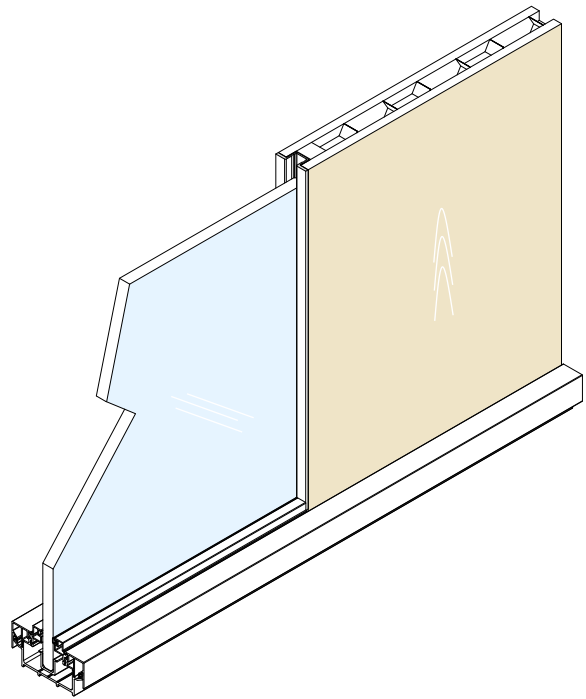
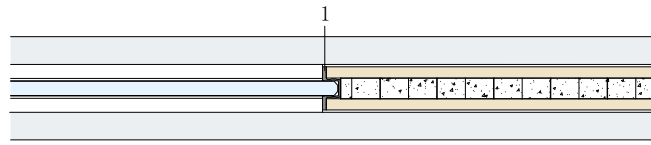
- 1.T shape pole 7125#
- 2.Cover connector 7126#
- 3.Cover of corner pole 7127#
- 4.Glass groove 6715#

12. Glass & glass & wood-T shape



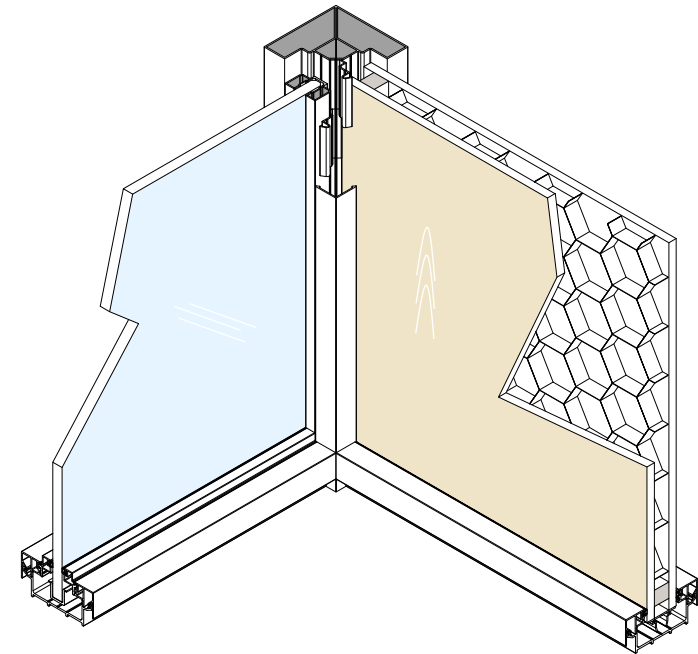
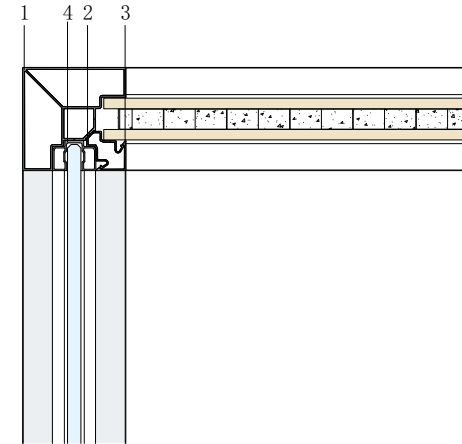
- 1.T shape pole 7125#
- 2.Cover connector 7126#
- 3.Cover of corner pole 7127#
- 4.Glass groove 6715#

13. Glass & wood-straight shape



1.Connector of wooden&glass panel 6002#

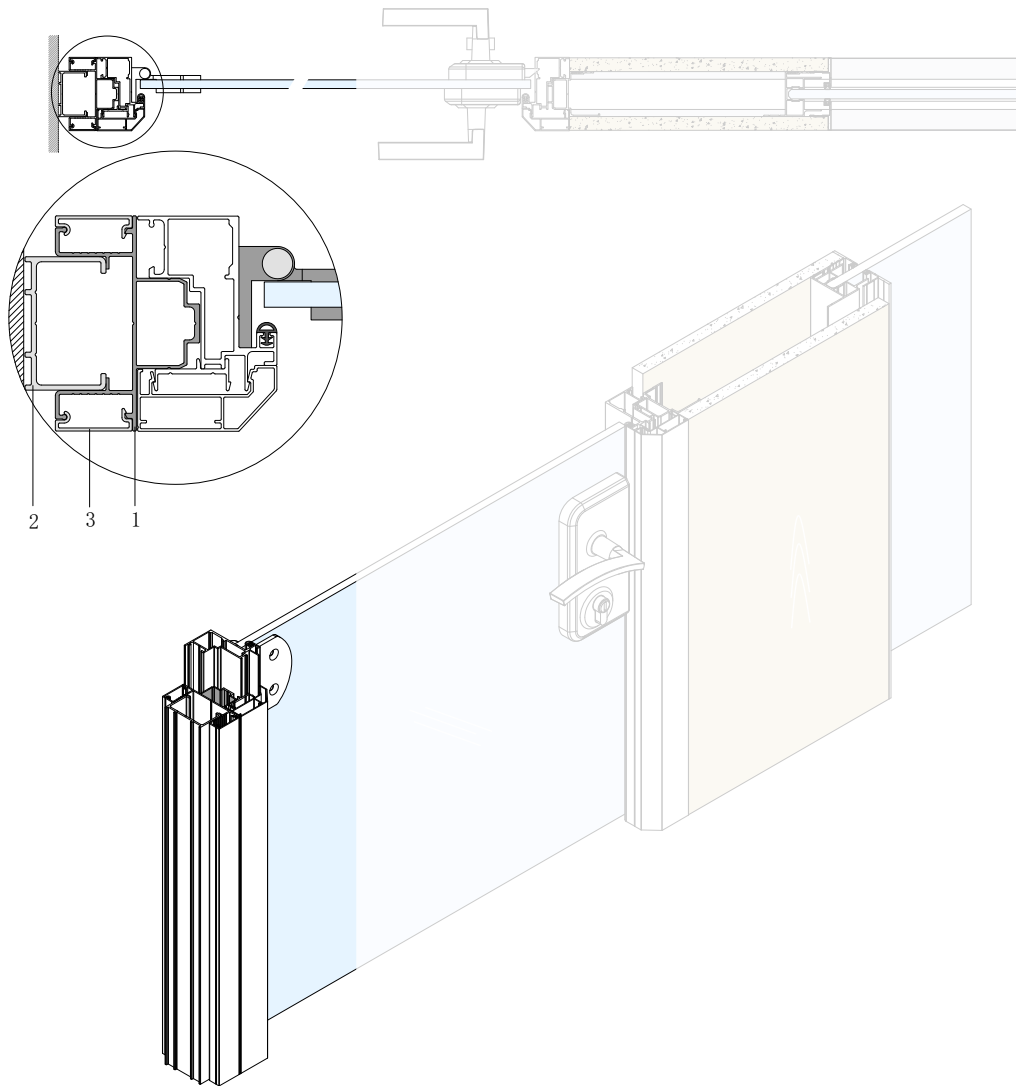
14. Glass & wood-L shape



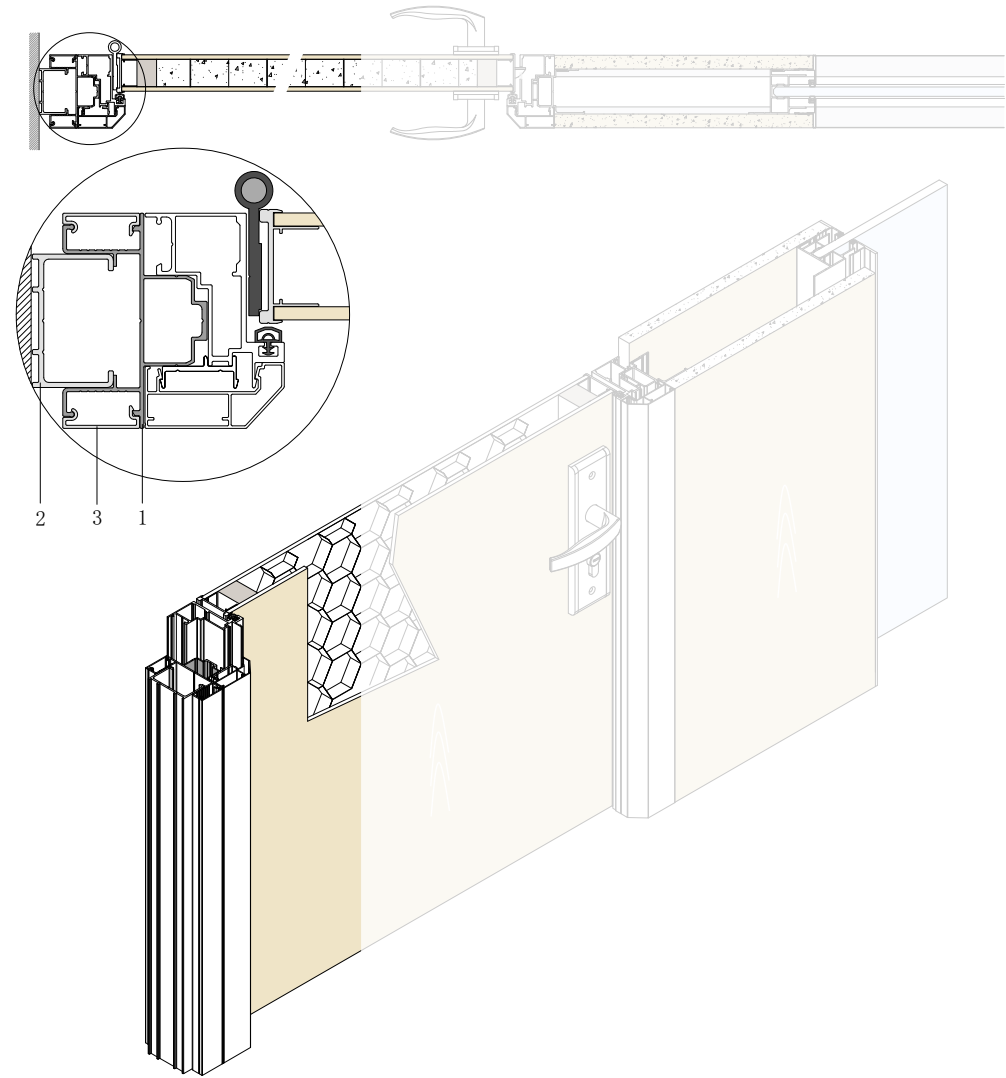
1.L shape pole 7136#  
 2.Cover connector 7126#  
 3.Cover of corner pole 7127#  
 4.Glass groove 6715#

## 15. Glass door-wall

## 16. Wood door-wall

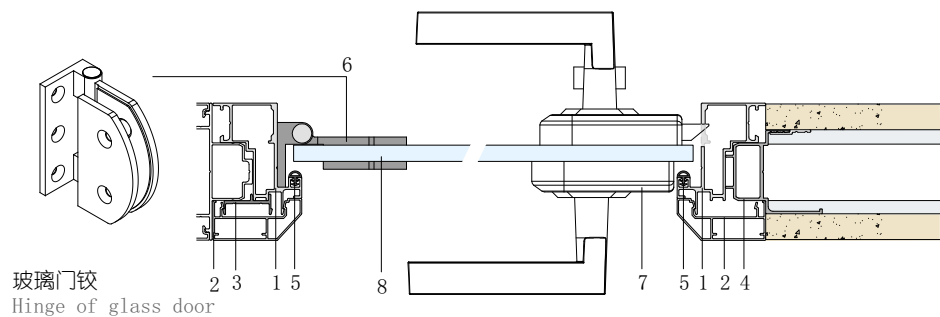


- 1.L shape pole 7119#
- 2.Side groove 6712#
- 3.Cover of adjustable pole 6714#

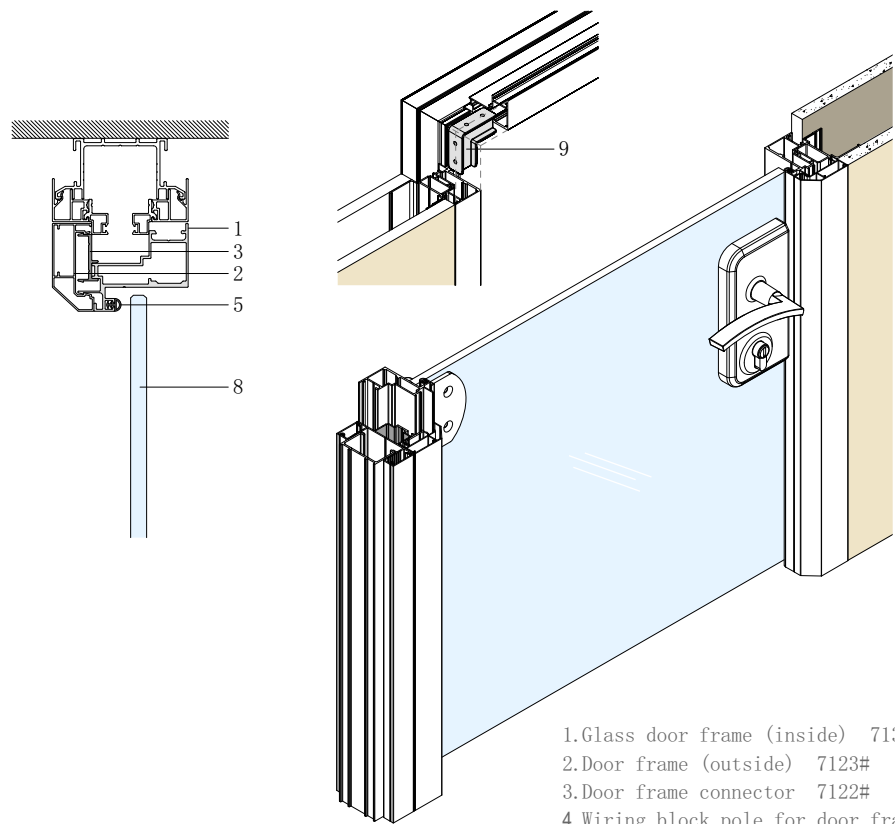


- 1.L shape pole 7119#
- 2.Side groove 6712#
- 3.Cover of adjustable pole 6714#

## 17. Glass door

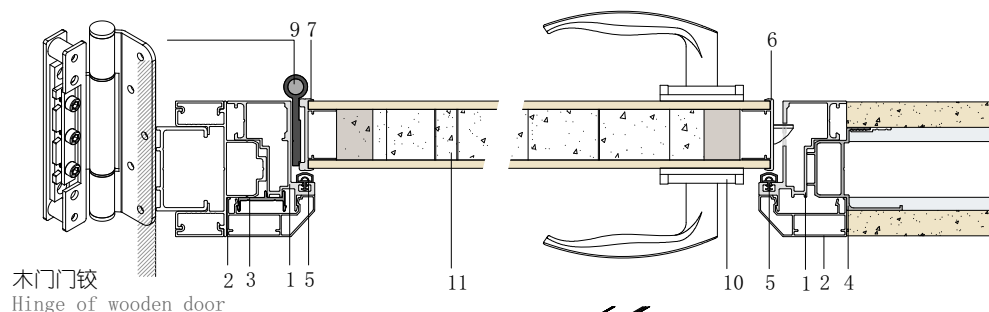


玻璃门铰  
Hinge of glass door

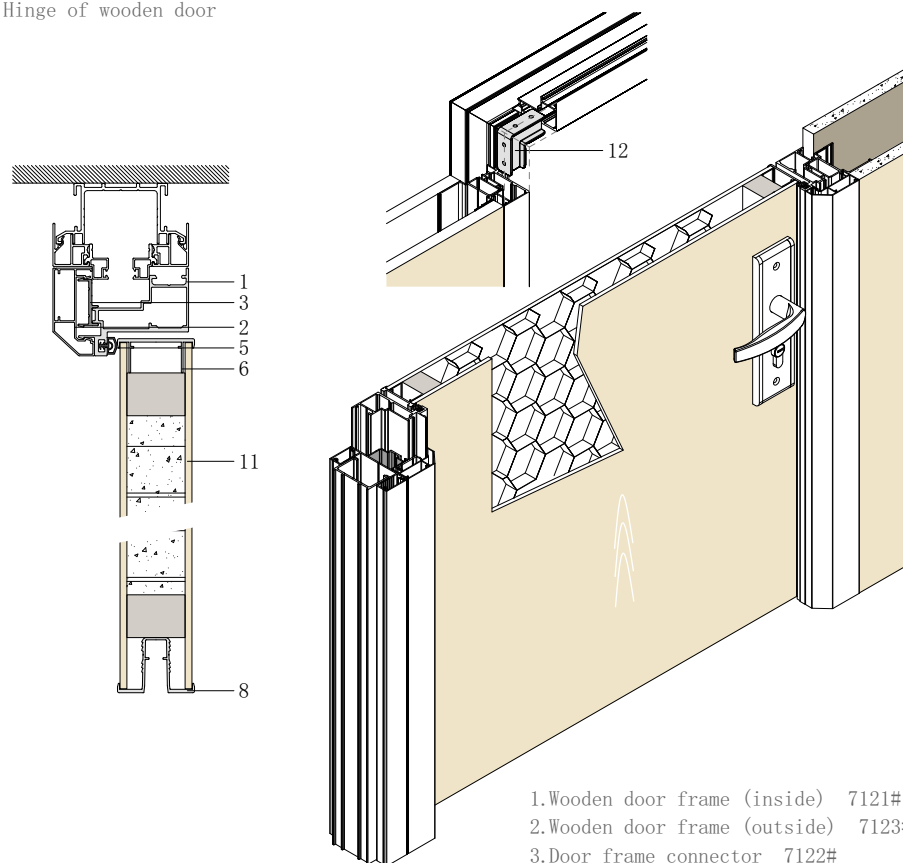


1. Glass door frame (inside) 7135#
2. Door frame (outside) 7123#
3. Door frame connector 7122#
4. Wiring block pole for door frame 7142#
5. Glass door sealing BH-B008#
6. Hinge of glass door AG5036FA-P1
7. Lock for glass door AZ1031RC-02-D7
8. Glass swing door 12mm
9. Connector of door frame

## 18. Wood door

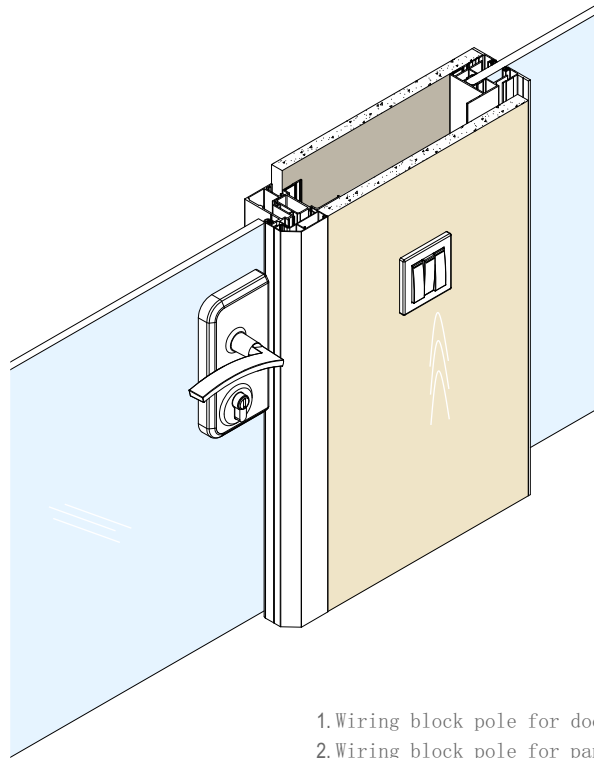
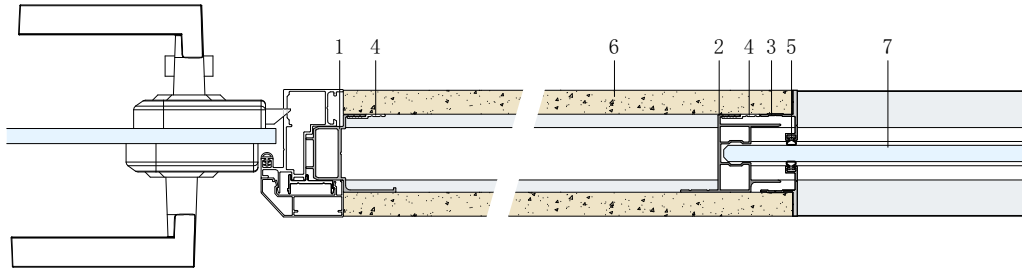


木门铰  
Hinge of wooden door



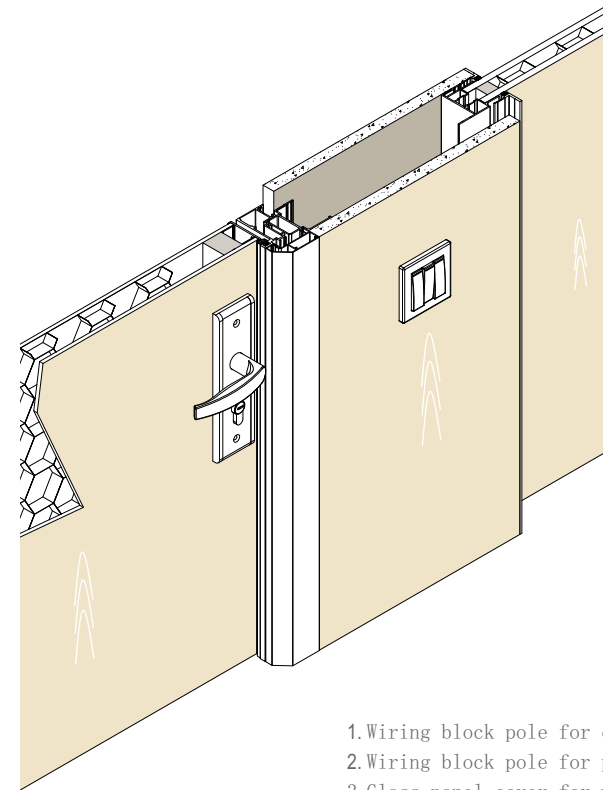
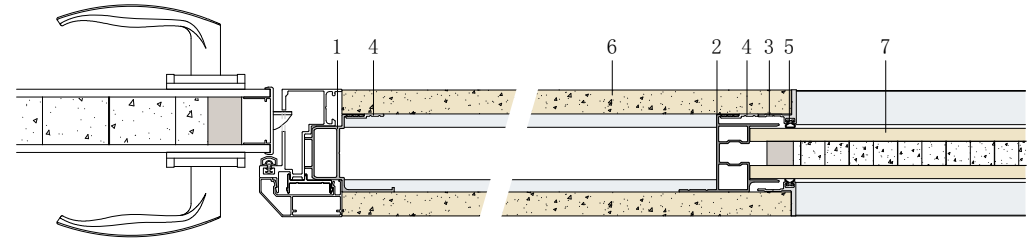
1. Wooden door frame (inside) 7121#
2. Wooden door frame (outside) 7123#
3. Door frame connector 7122#
4. Wiring block pole for door frame 7142#
5. Wood door sealing BH-Y008#
6. Seal B of wooden door (for lock and top) 6459#
7. Seal A of wooden door (for hinge) 6458#
8. Seal C of wooden door (at bottom) 6457#
9. Hinge of wooden door
10. Lock for Wooden door JL-5013-001B
11. Wooden door
12. Connector of door frame

19. Glass-adjustable panel



1. Wiring block pole for door frame 7142#
2. Wiring block pole for panel 7146#
3. Glass panel cover for wiring block 7143#
3. Wiring block pole connector 7145#
5. Seal of panel cover PQ5#
6. 16mm *MFC Wiring Block*
7. 12mm Toughened glass

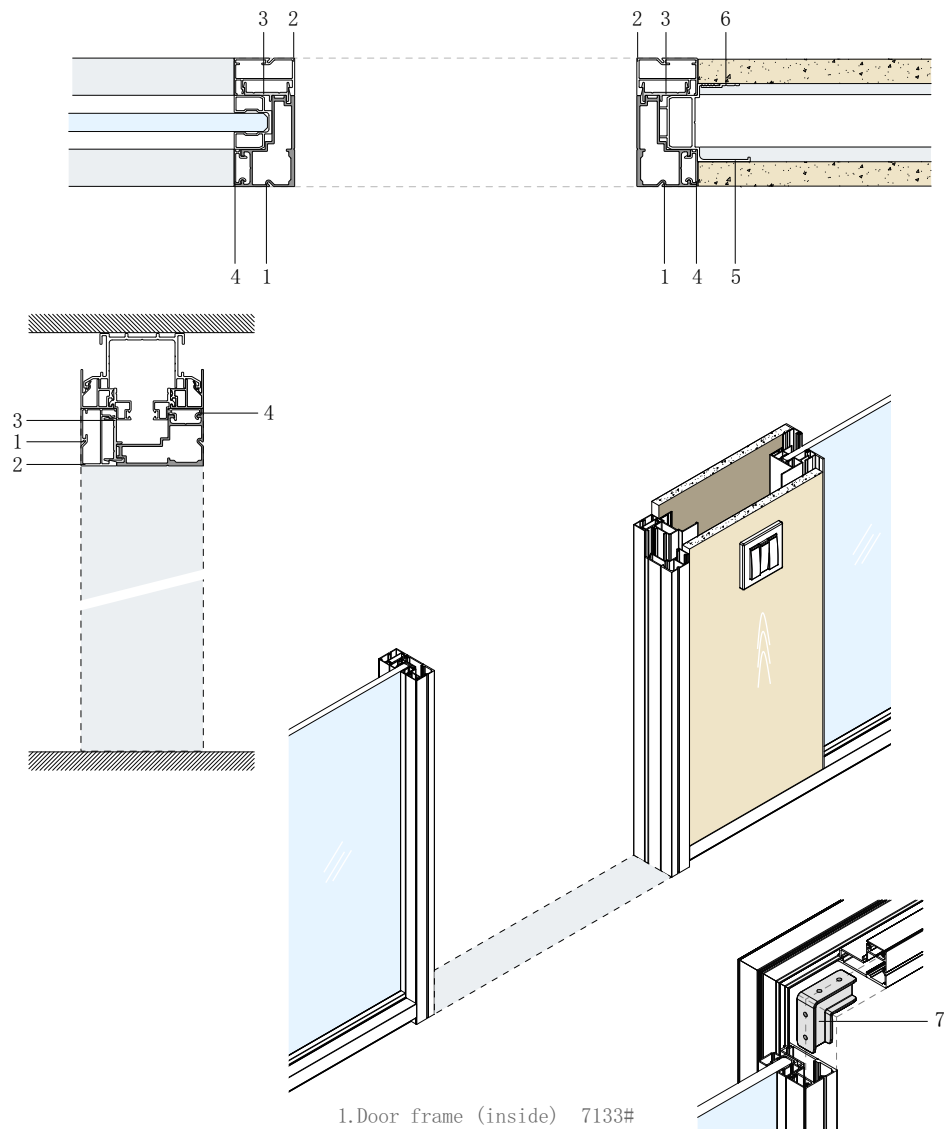
20. Wood-adjustable panel



1. Wiring block pole for door frame 7142#
2. Wiring block pole for panel 7146#
3. Glass panel cover for wiring block 7144#
3. Wiring block pole connector 7145#
5. Seal of panel cover PQ5#
6. 16mm *MFC Wiring Block*
7. MFC panel (9mm+16mm+9mm)



21. Frame without door



- 1. Door frame (inside) 7133#
- 2. Door frame (outside) 7134#
- 3. Door frame connector 7122#
- 3. Cover of door frame 6711#
- 5. Wiring block pole for door frame 7142#
- 6. Wiring block pole connector 7145#
- 7. Connector of door frame

# M & W

**Web:** [mwworkstation.com](http://mwworkstation.com)

**Mail:** [robbor@mwworkstation.com](mailto:robbor@mwworkstation.com)

**Tel:** +86 13695211636

**WhatsApp:** + 86 13695211636

**Add:** NO.3 Xingye North Road Dawotang Industrial  
District Shishan Nanhai Foshan City Guangdong  
P.R China



WhatsApp



Facebook



Instagram



Twitter



Pinterest



Linkein



YouTube