

# K computer desk

 Installation illustrate

Web : <https://www.mwworkstation.com/>

Tel : +86 13695211636

Mail : [robbor@mwworkstation.com](mailto:robbor@mwworkstation.com)

# Contents

<a href="#"><u>Product</u></a>	-----	1P
<a href="#"><u>Parts Show</u></a>	-----	2P
<a href="#"><u>Installation Steps</u></a>	-----	3P



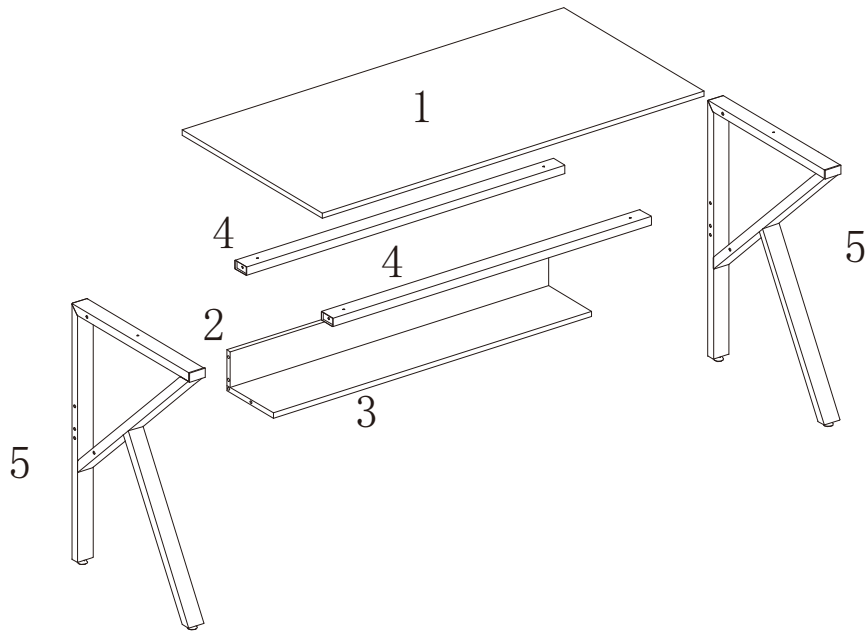
**computer  
desk**



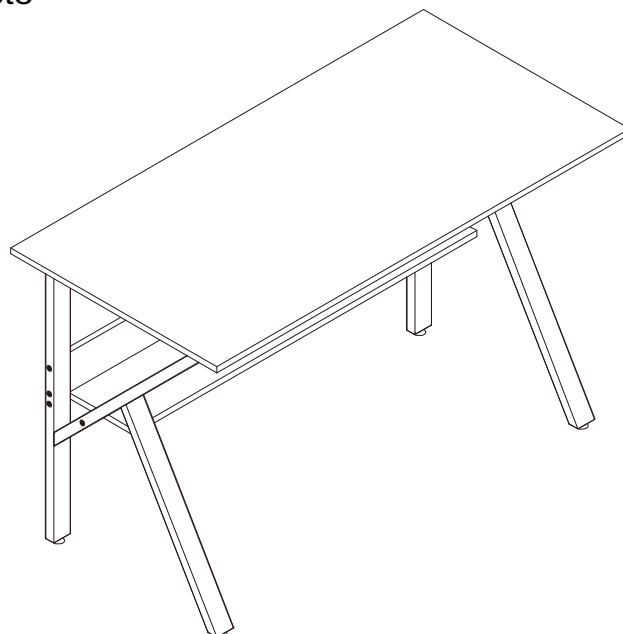
FAST AND CONVENIENT INSTALLATION SYSTEM  
DESK SYSTEM SCREEN SYSTEM

## PRODUCT

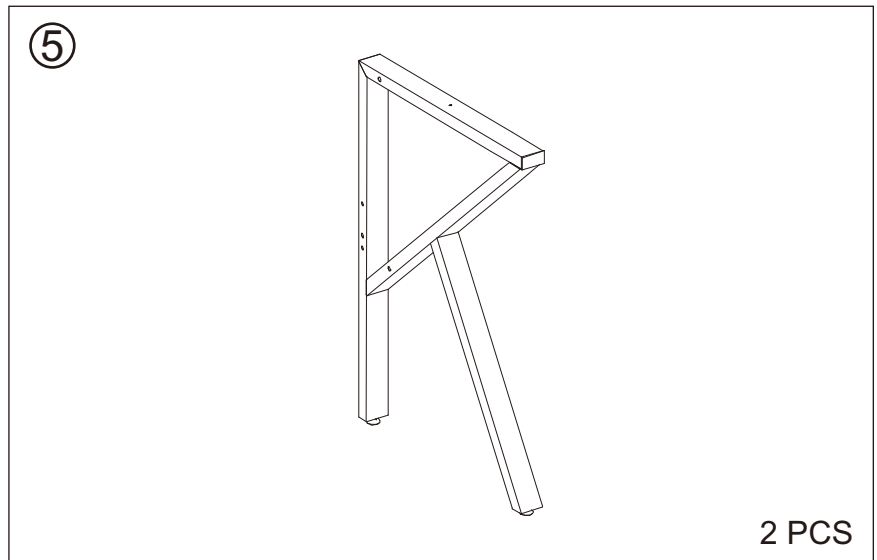
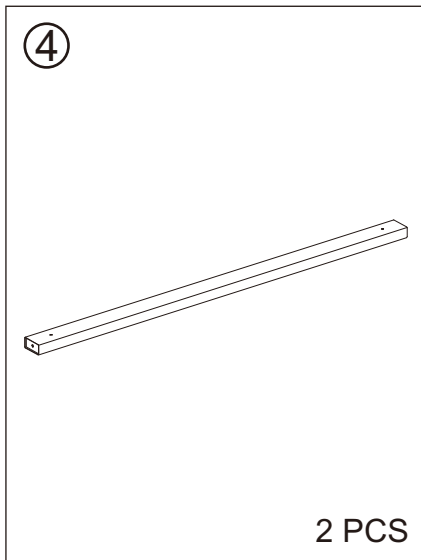
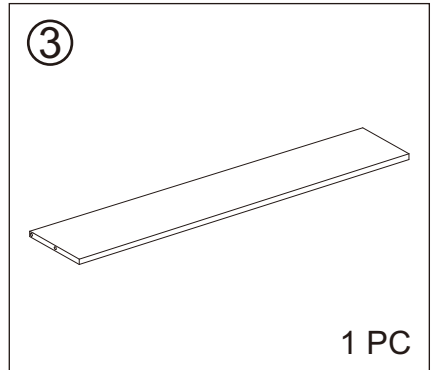
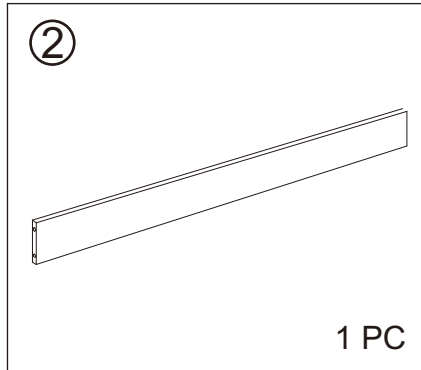
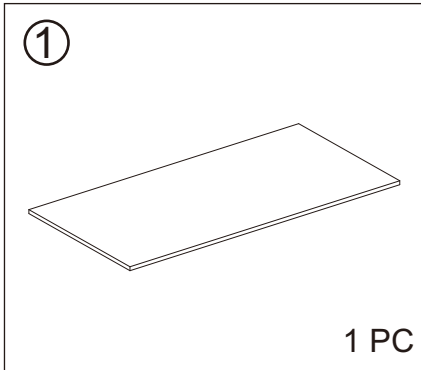
### Decomposition of components



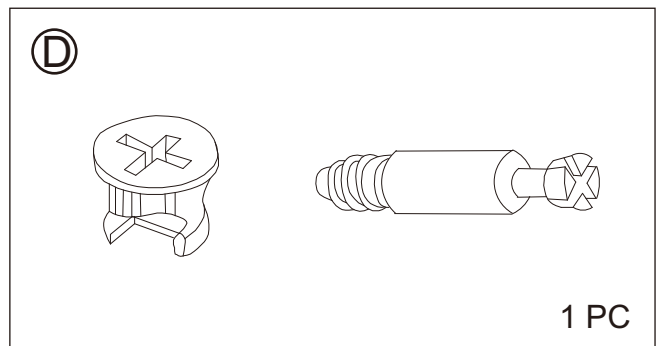
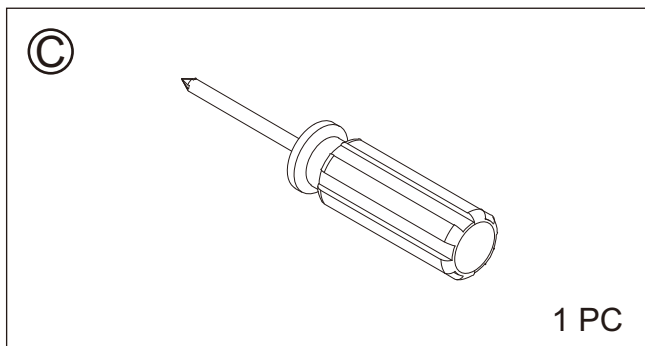
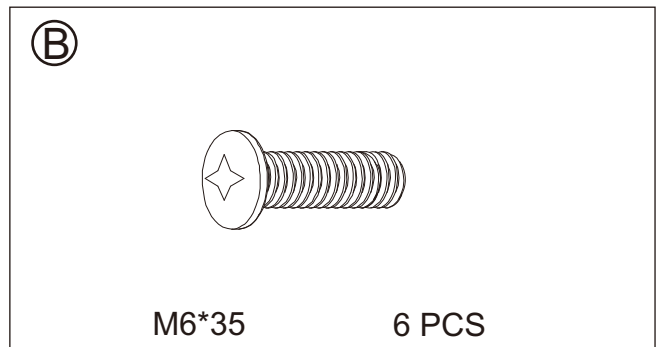
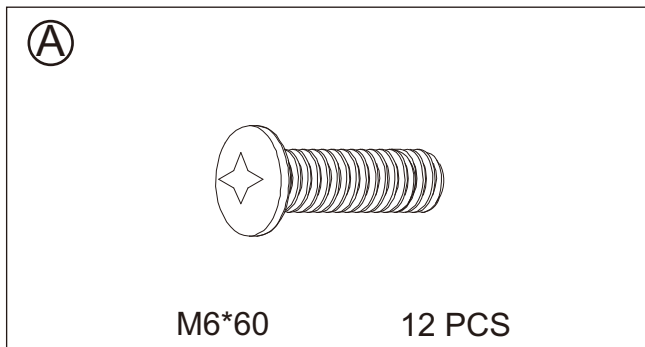
### The installation is complete



Please check the board number



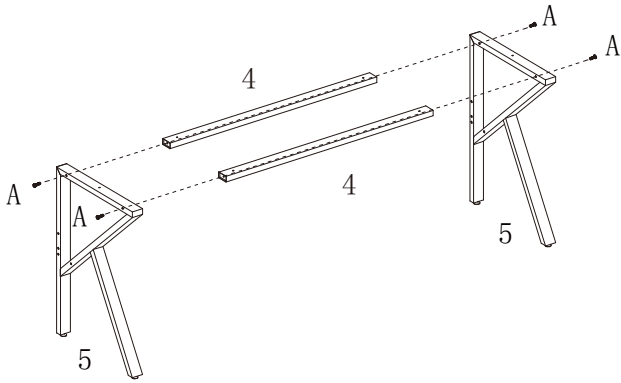
Please check the accessories number and quantity



# INSTALLATION STEPS

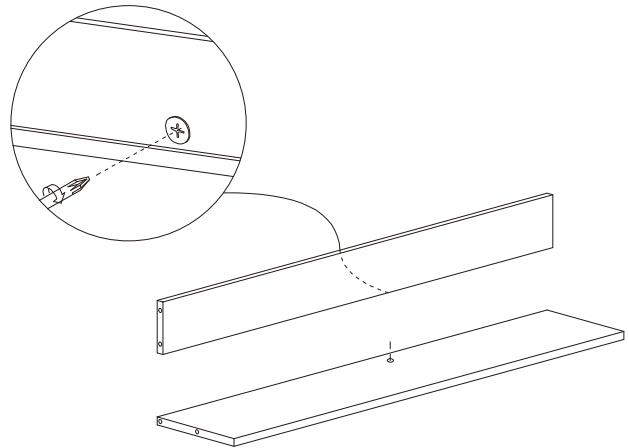
Please note that don't tighten all the screws before all steps completed

## STEP:1



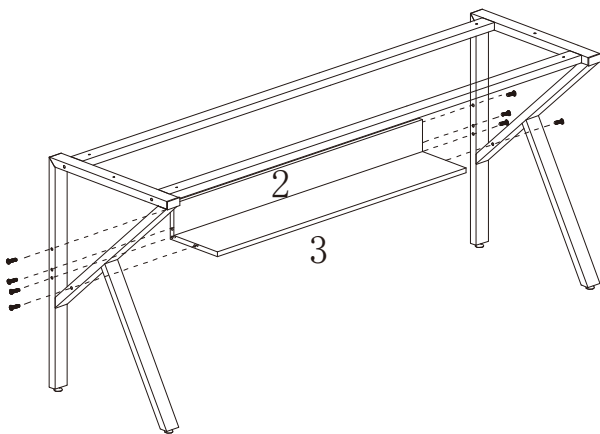
 A x 4 PCS

## STEP:2



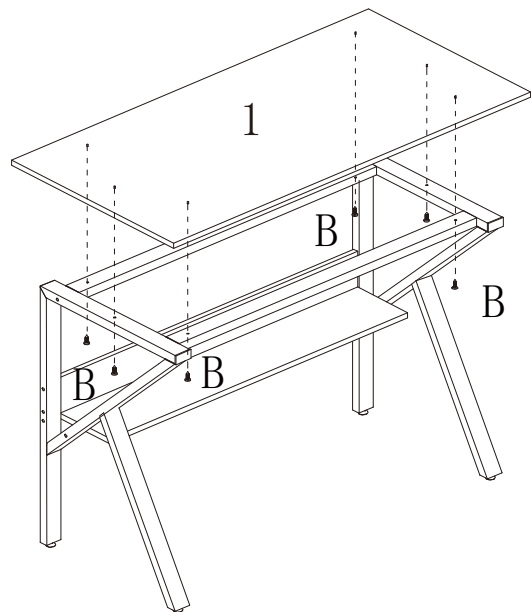
 D x 1 PC


## STEP:3



 A x 8 PCS

## STEP:4



 B x 6 PCS

# M & W

**Web:** [mwworkstation.com](http://mwworkstation.com)

**Mail:** [robbor@mwworkstation.com](mailto:robbor@mwworkstation.com)

**Tel:** +86 13695211636

**WhatsApp:** + 86 13695211636

**Add:** NO.3 Xingye North Road Dawotang Industrial  
District Shishan Nanhai Foshan City Guangdong  
P.R China



WhatsApp



Facebook



Instagram



Twitter



Pinterest



Linkein



YouTube