



**computer  
desk**



**Installation illustrate**

Web : <https://www.mwworkstation.com/>

Tel : +86 13695211636

Mail : [robbor@mwworkstation.com](mailto:robbor@mwworkstation.com)

# Contents

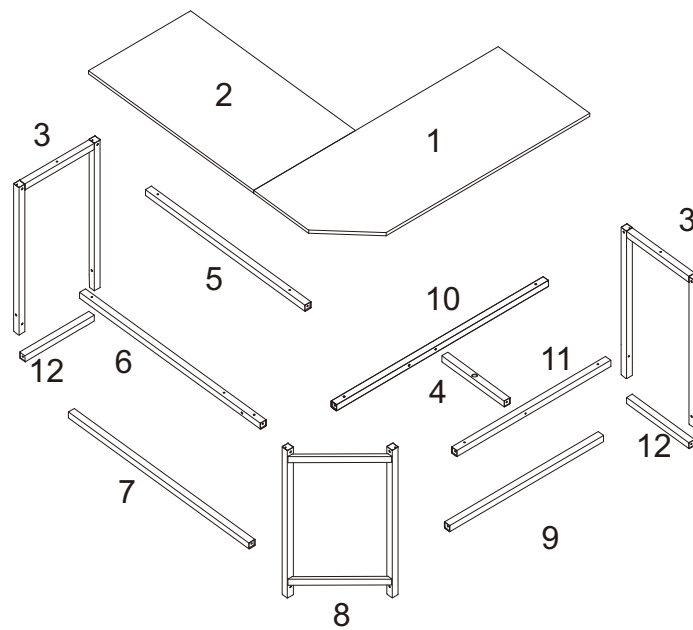
<a href="#">Product</a>	-----	1P
<a href="#">Parts Show</a>	-----	2P
<a href="#">Installation Steps</a>	-----	3P

# L computer desk

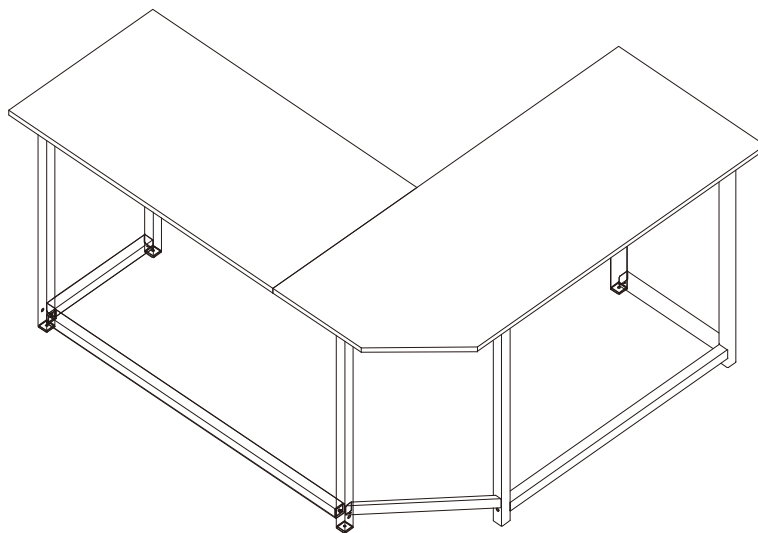
FAST AND CONVENIENT INSTALLATION SYSTEM  
DESK SYSTEM SCREEN SYSTEM

## PRODUCT

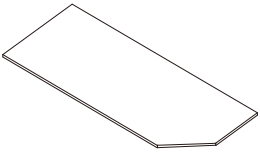
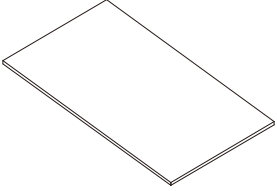
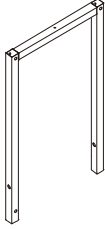
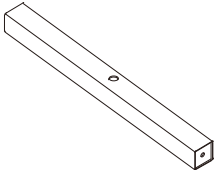
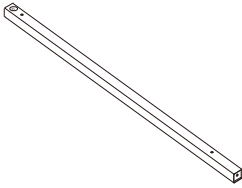
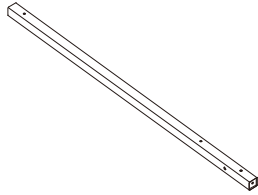
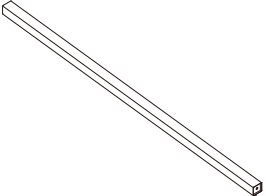
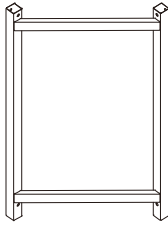
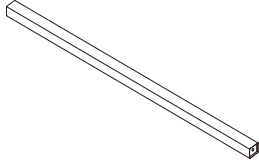
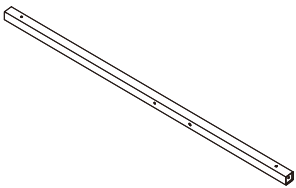
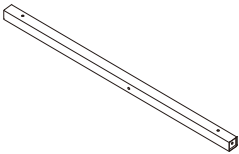
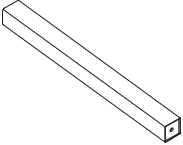
### Decomposition of components



### The installation is complete



Please check the board number

<p>①</p>  <p>1 PC</p>	<p>②</p>  <p>1 PC</p>	<p>③</p>  <p>2 PCS</p>
<p>④</p>  <p>1 PC</p>	<p>⑤</p>  <p>1 PC</p>	<p>⑥</p>  <p>1 PC</p>
<p>⑦</p>  <p>1 PC</p>	<p>⑧</p>  <p>1 PC</p>	<p>⑨</p>  <p>1 PC</p>
<p>⑩</p>  <p>1 PC</p>	<p>⑪</p>  <p>1 PC</p>	<p>⑫</p>  <p>2 PCS</p>

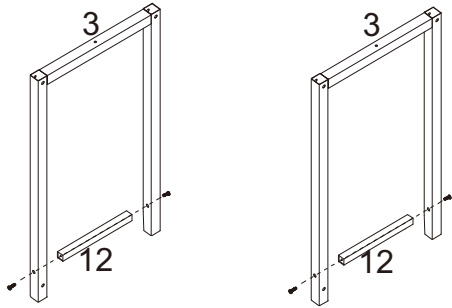
Please check the accessories number and quantity

<p>Ⓐ</p>  <p>M6*40      34 PCS</p>	<p>Ⓑ</p>  <p>1 PC</p>
---	---

# INSTALLATION STEPS

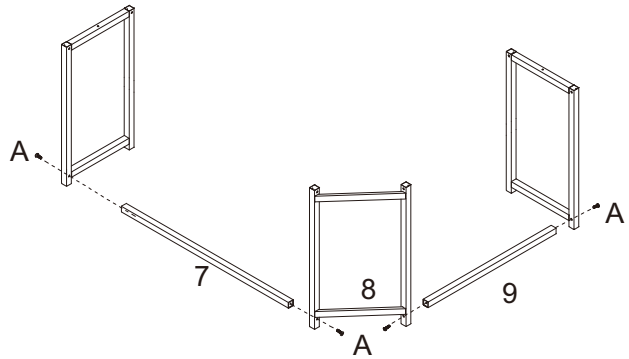
Please note that don't tighten all the screws before all steps completed


STEP:1



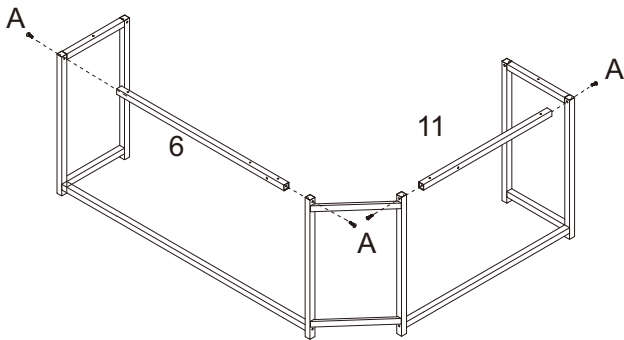
 A x 4 PCS

STEP:2



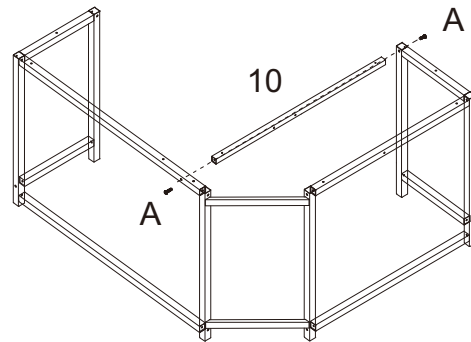
 A x 4 PCS

STEP:3



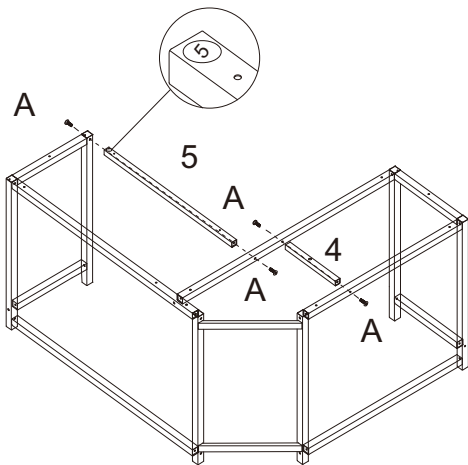
 A x 4 PCS

STEP:4



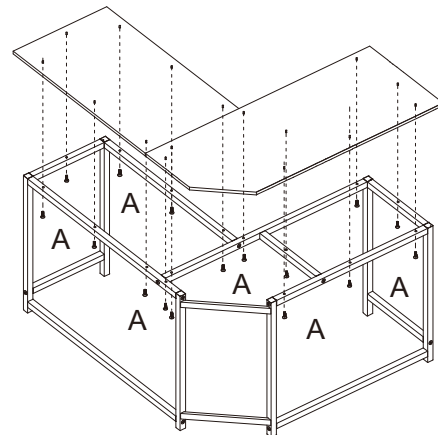
 A x 2 PCS

STEP:5 Notice where label 5 is installed



 A x 4 PCS

STEP:6



 A x 16 PCS

# M & W

**Web:** [mwworkstation.com](http://mwworkstation.com)

**Mail:** [robbor@mwworkstation.com](mailto:robbor@mwworkstation.com)

**Tel:** +86 13695211636

**WhatsApp:** + 86 13695211636

**Add:** NO.3 Xingye North Road Dawotang Industrial  
District Shishan Nanhai Foshan City Guangdong  
P.R China



WhatsApp



Facebook



Instagram



Twitter



Pinterest



Linkein



YouTube