

T3

Partition Divider



Installation illustrate

Web : <https://www.mwworkstation.com/>

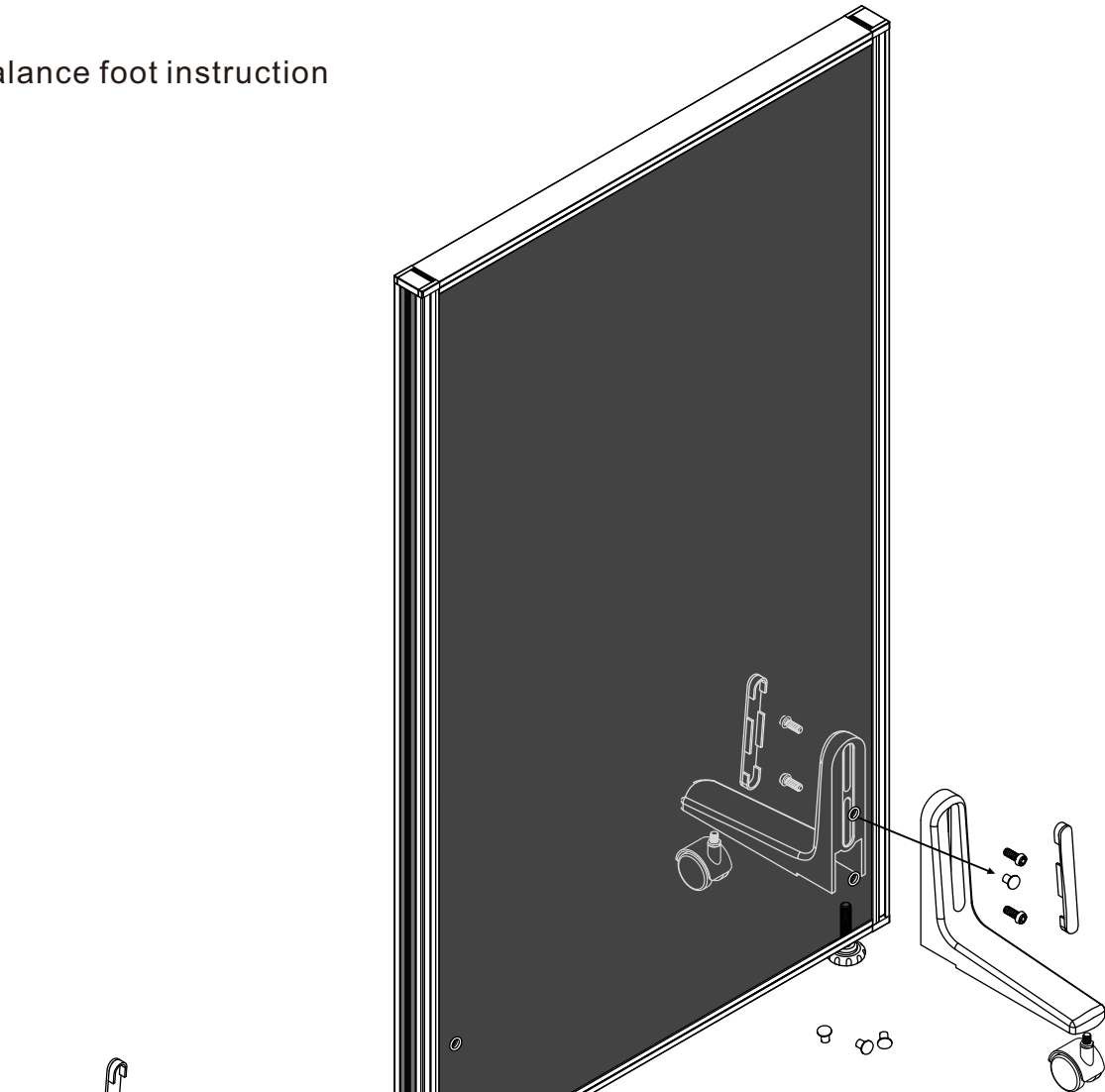
Tel : +86 13695211636

Mail : robbor@mwworkstation.com

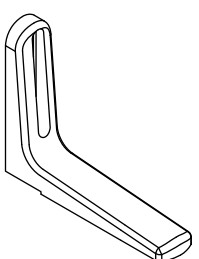
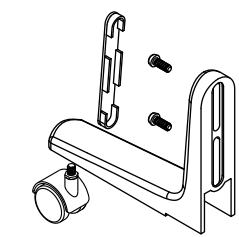
INSTALLATION STEPS

T3 Partition Divider-1

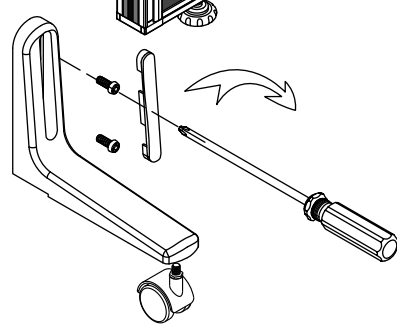
Balance foot instruction



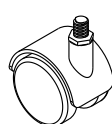
Take down all the plastic cap at first



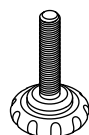
Balance foot
4 pcs



Foot cap
4 pcs



Caster
4 pcs



Adjustive foot
2 pcs
M8*50mm

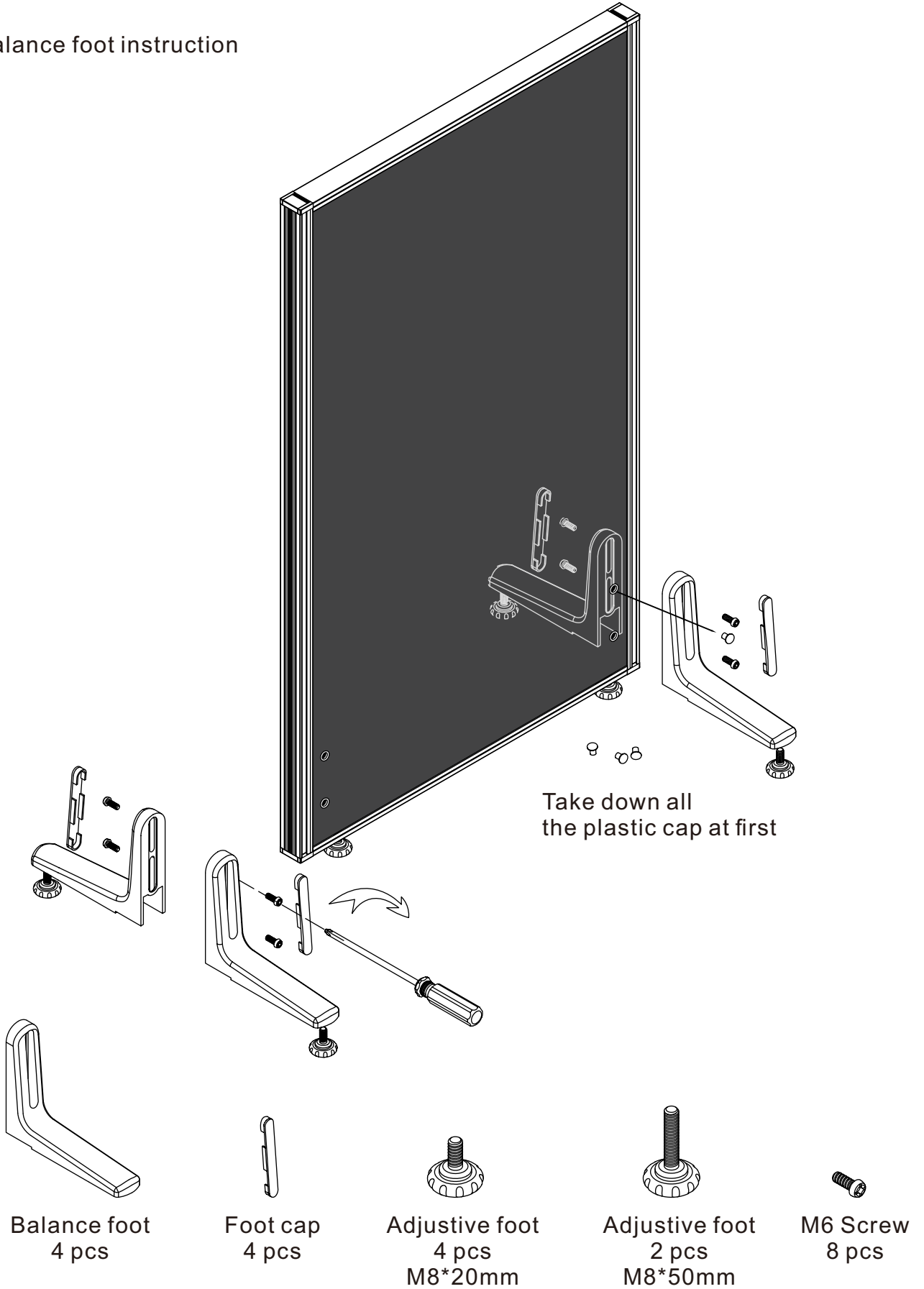


M6 Screw
8 pcs

INSTALLATION STEPS

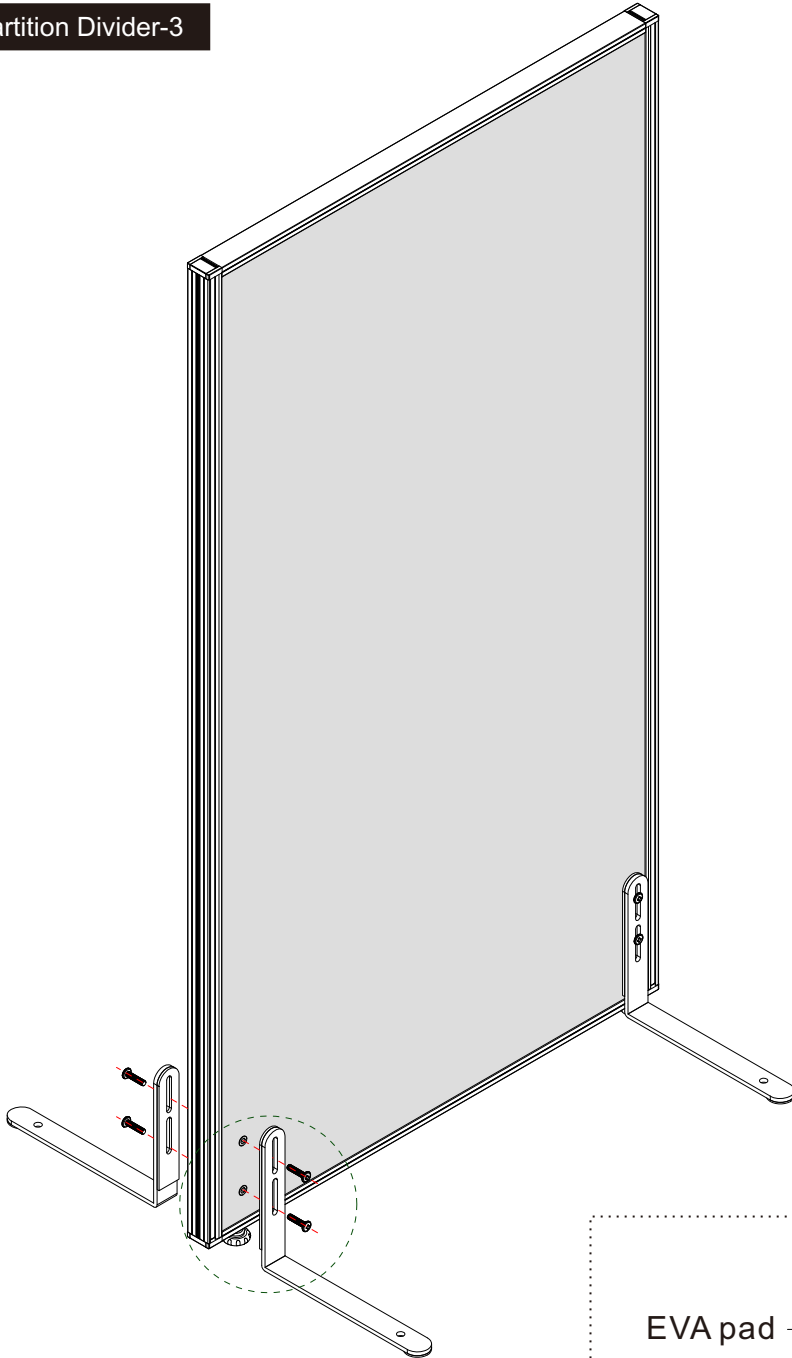
T3 Partition Divider-2


Balance foot instruction

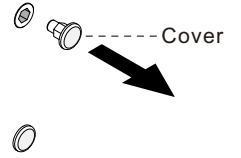


INSTALLATION STEPS

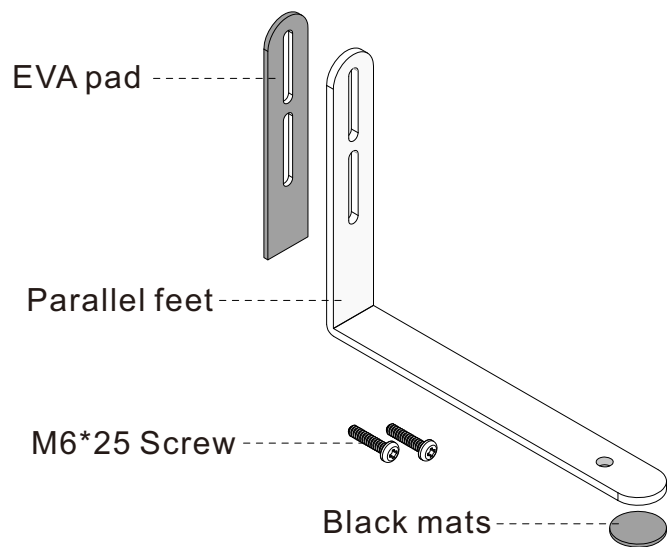
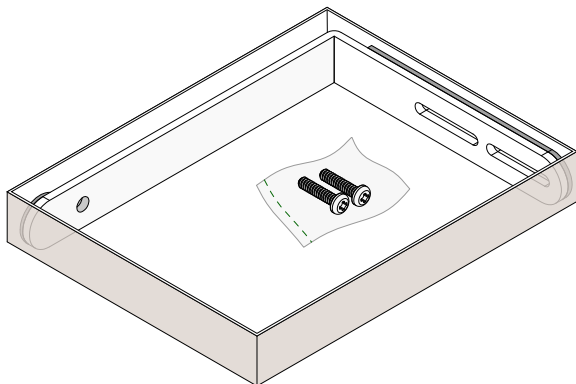
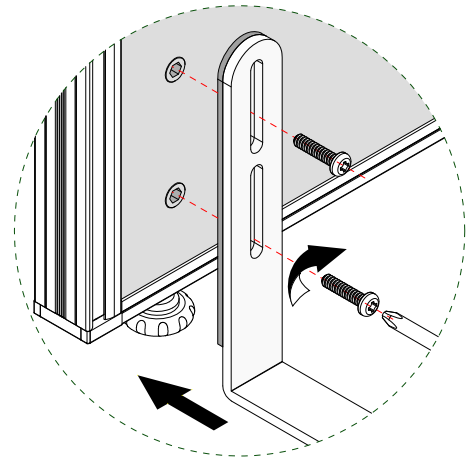
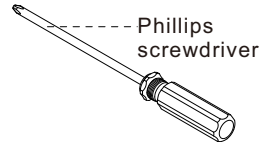
T3 Partition Divider-3



 Before installing the simple parallel feet, please remove the cone female cover

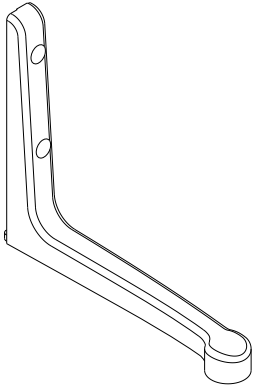


Please use a Phillips screwdriver for installation

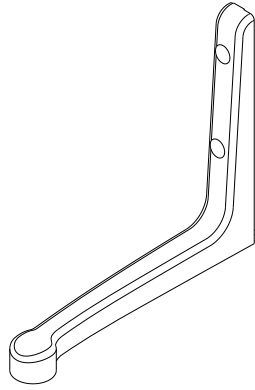


INSTALLATION STEPS

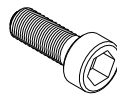
T3 Partition Divider-4



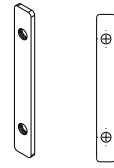
Parallel foot right



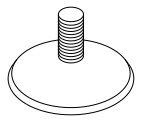
Parallel foot left



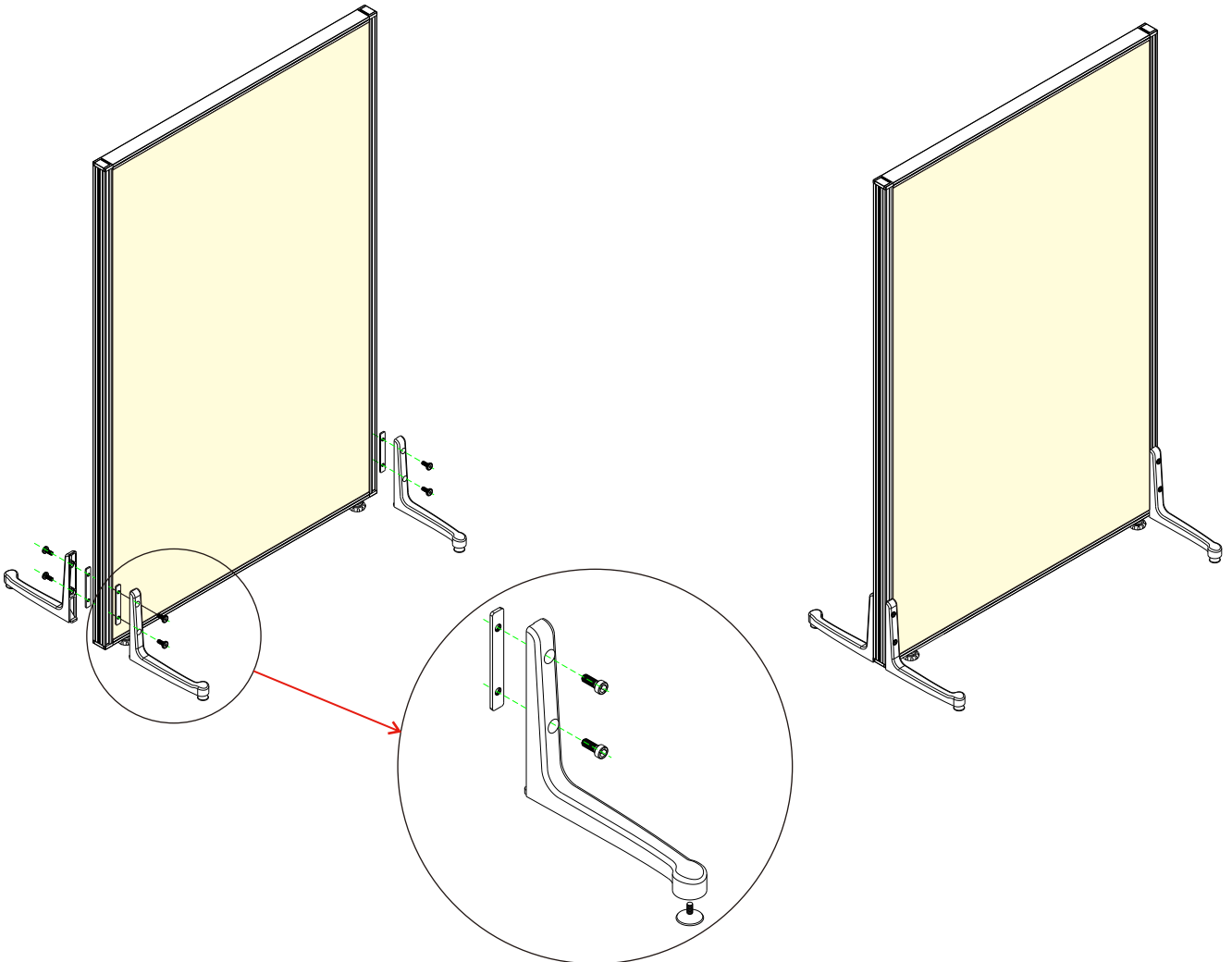
M6*10 Screw



Dedicated connecting piece



Dedicated adjustable feet



M & W

Web: mwworkstation.com

Mail: robbor@mwworkstation.com

Tel: +86 13695211636

WhatsApp: + 86 13695211636

Add: NO.3 Xingye North Road Dawotang Industrial
District Shishan Nanhai Foshan City Guangdong
P.R China



WhatsApp



Facebook



Instagram



Twitter



Pinterest



Linkein



YouTube