

VLR

Installation illustrate



Web : <https://www.mwworkstation.com/>

Tel : +86 13695211636

Mail : robbor@mwworkstation.com

Contents

[Components](#)

----- 1P

[Round Table](#)

----- 2P

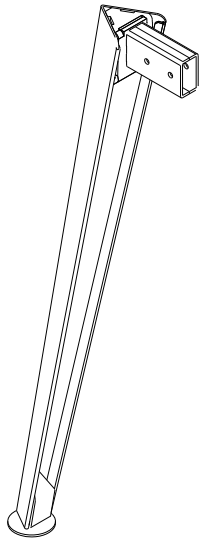
VLR

Components

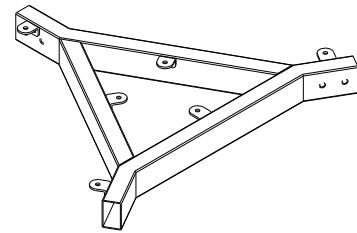
FAST AND CONVENIENT INSTALLATION SYSTEM
DESK SYSTEM

PARTS SHOW

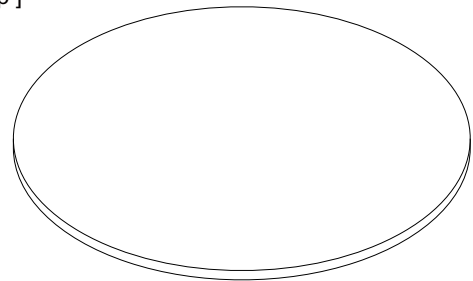
[Support Leg]



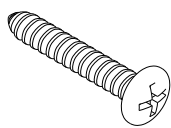
[Round Table Frame]



[Countertop]



[Screw M4x20]

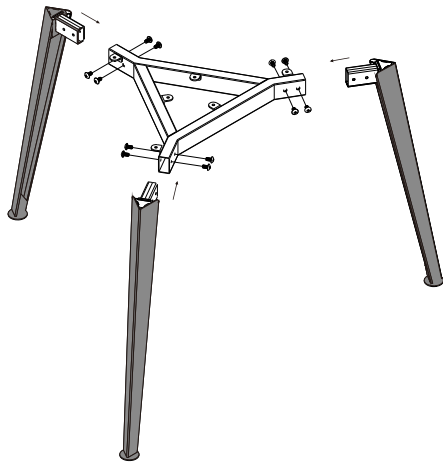


[Screw M8x12]

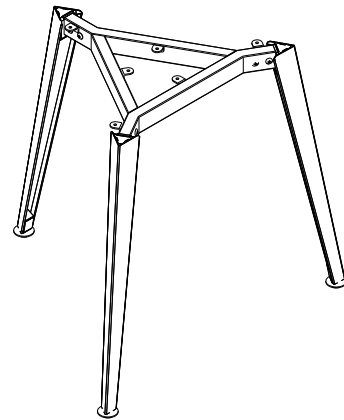


INSTALLATION STEPS

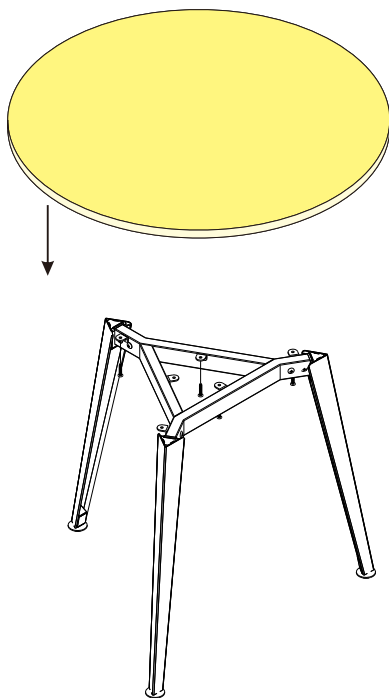
Step 1



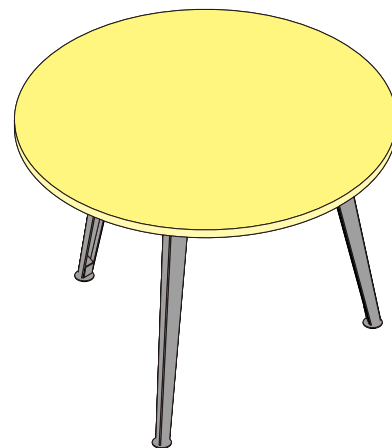
Step 2



Step 3



Step 4



M & W

Web: mwworkstation.com

Mail: robbor@mwworkstation.com

Tel: +86 13695211636

WhatsApp: + 86 13695211636

Add: NO.3 Xingye North Road Dawotang Industrial
District Shishan Nanhai Foshan City Guangdong
P.R China



WhatsApp



Facebook



Instagram



Twitter



Pinterest



Linkein



YouTube