

Glass&Wooden

Cabinet



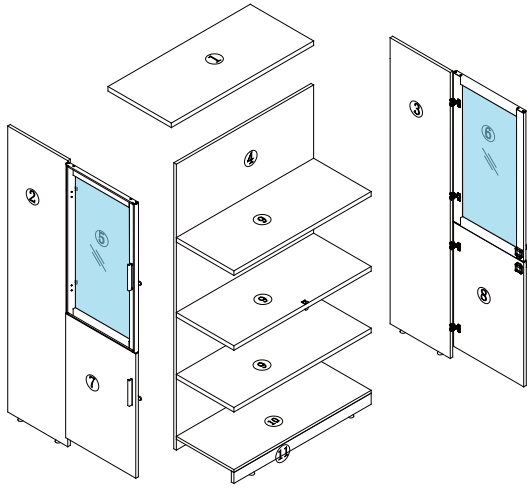
Installation illustrate

Web : <https://www.mwworkstation.com/>

Tel : +86 13695211636

Mail : robbor@mwworkstation.com

Installation steps

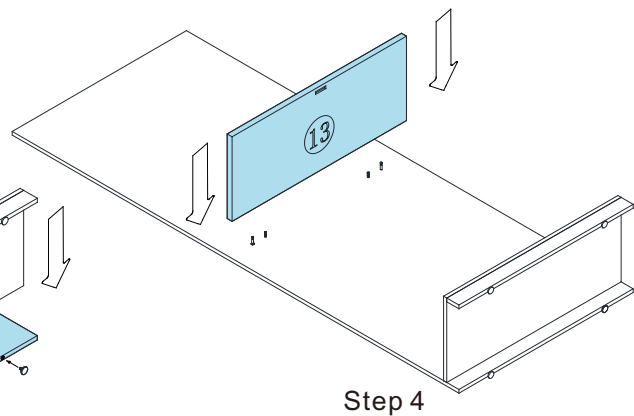
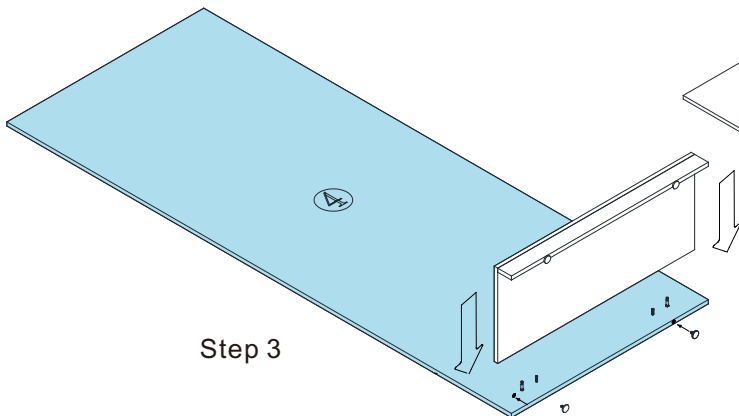
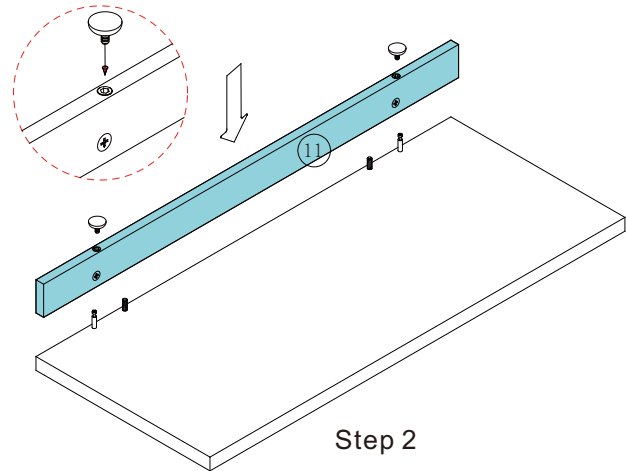
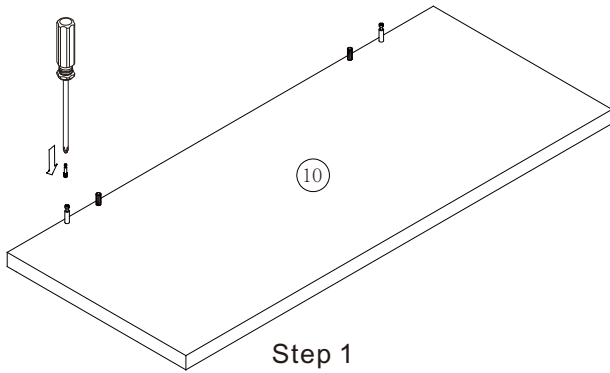
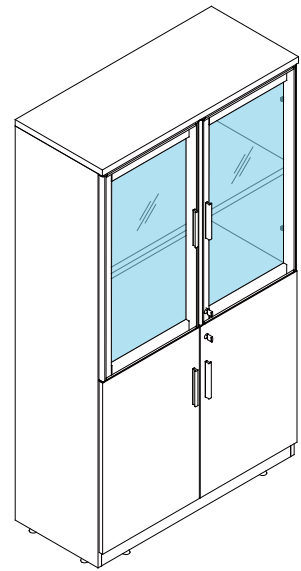


Code Item

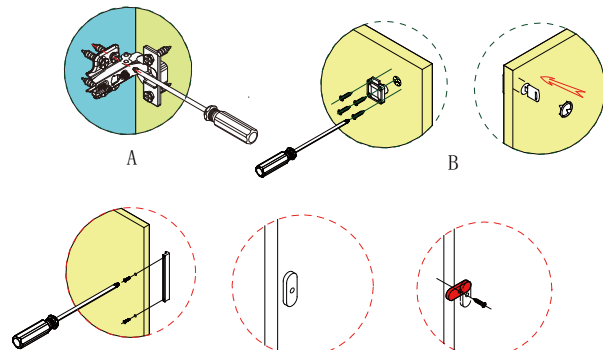
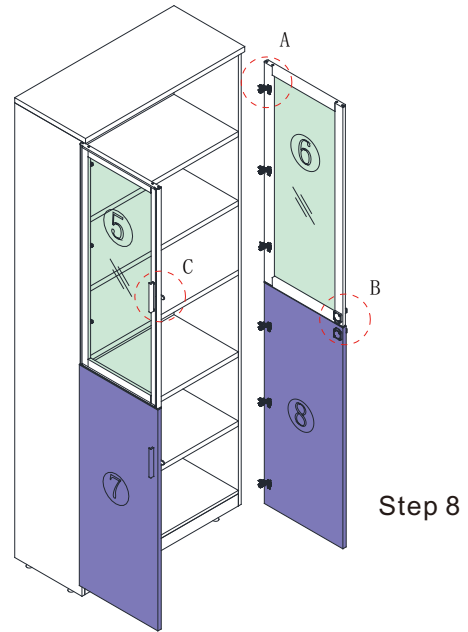
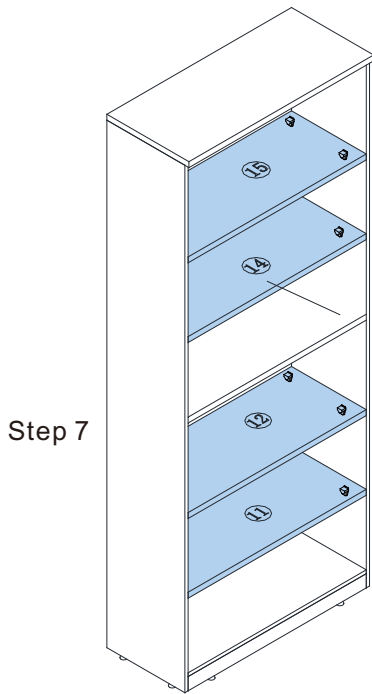
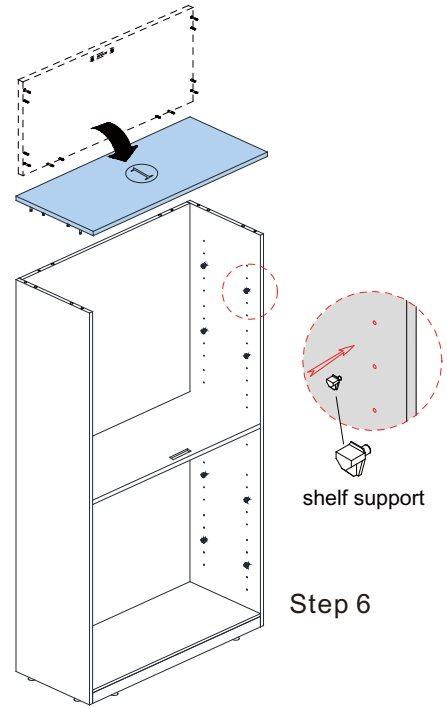
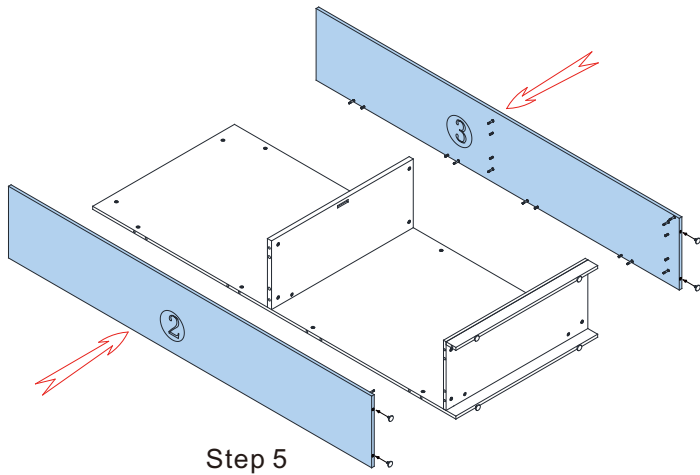
- 1, Top panel
- 2, L panel
- 3, R panel
- 4, Back panel
- 5, L glass door
- 6, R glass door
- 7, L wooden door
- 8, R wooden door
- 9, Shelf
- 10, Bottom panel
- 11, Skirting

Qty

- x 1 pc
- x 1 pc
- x 1 pc
- x 1 pc
- x 1 pc
- x 1 pc
- x 1 pc
- x 1 pc
- x 3 pc
- x 1 pc
- x 1 pc



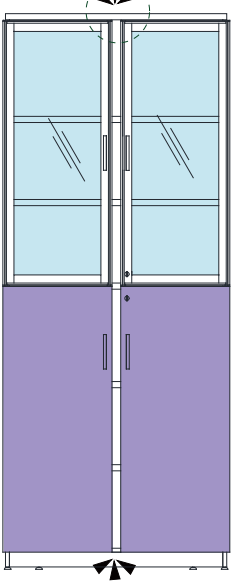
Installation steps



Remark: Turn the door stopper 90°, then tight the screw and hold it.

Installation steps

How to adjust the hinge:



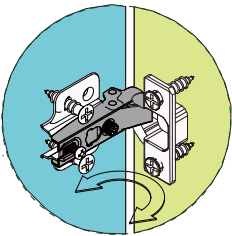
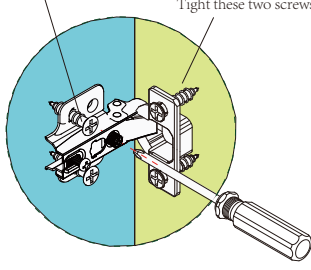
Solution:

Fix these two screws first to hold the hinge. But don't tight it make space for adjustment.

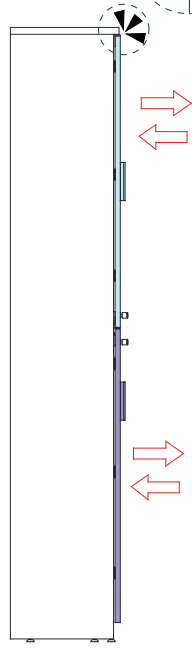
Tight these two screws.

1. Loose this inside screw.

2. Move the doors and adjust the distance.



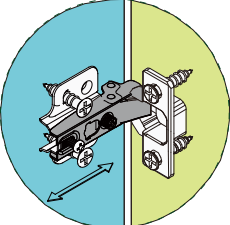
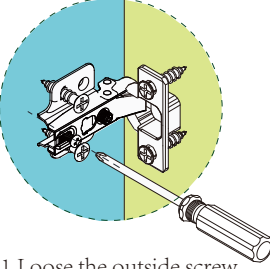
Problem 1: The gap between two doors is too big or too small to close the doors.



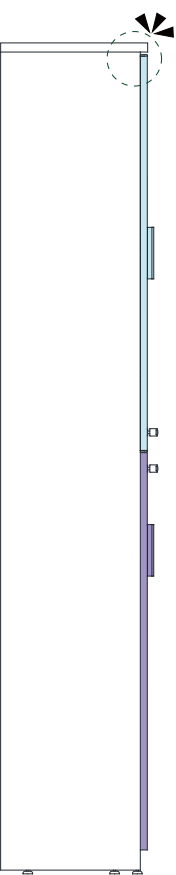
Solution:

1. Loose the outside screw.

2. Move the doors and adjust the distance.



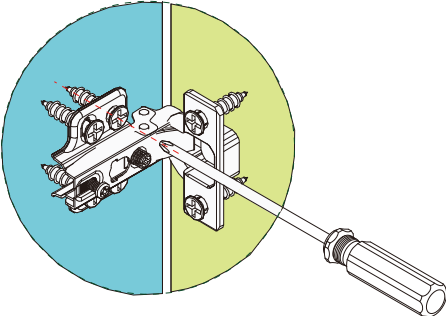
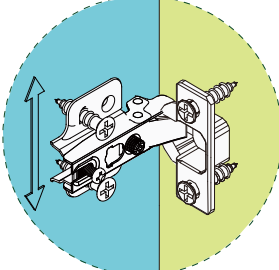
Problem 2: The doors and top panel are not in the same vertical level.



Solution:

1. After solve the problem 1 and 2, adjust the doors up and down to the suitable position.

2. After fixing all the problems, tight the screws.



Problem 3: There is obvious gap between the top panel and doors.

M & W

Web: mwworkstation.com

Mail: robbor@mwworkstation.com

Tel: +86 13695211636

WhatsApp: + 86 13695211636

Add: NO.3 Xingye North Road Dawotang Industrial
District Shishan Nanhai Foshan City Guangdong
P.R China



WhatsApp



Facebook



Instagram



Twitter



Pinterest



Linkein



YouTube