

Wooden sliding door

Cabinet



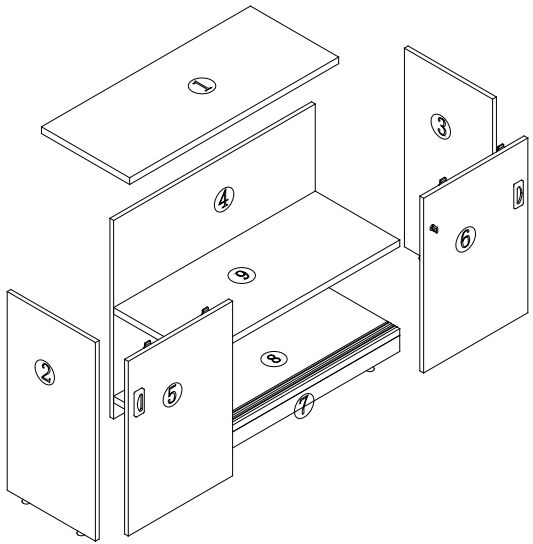
Installation illustrate

Web : <https://www.mwworkstation.com/>

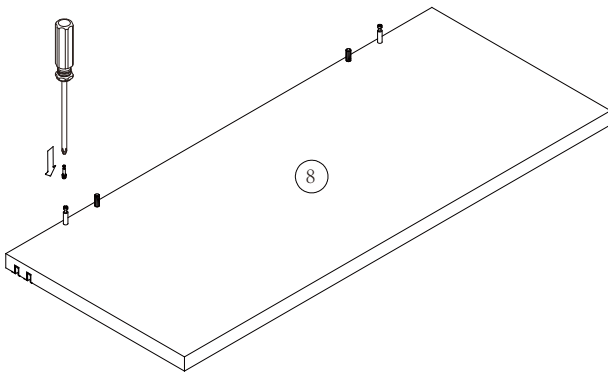
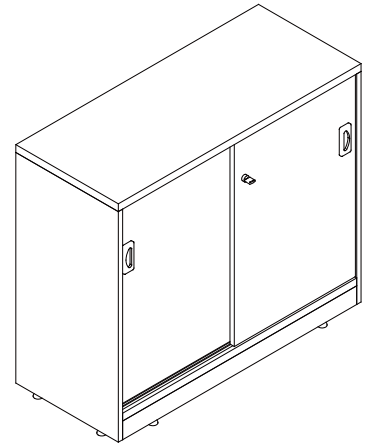
Tel : +86 13695211636

Mail : robbor@mwworkstation.com

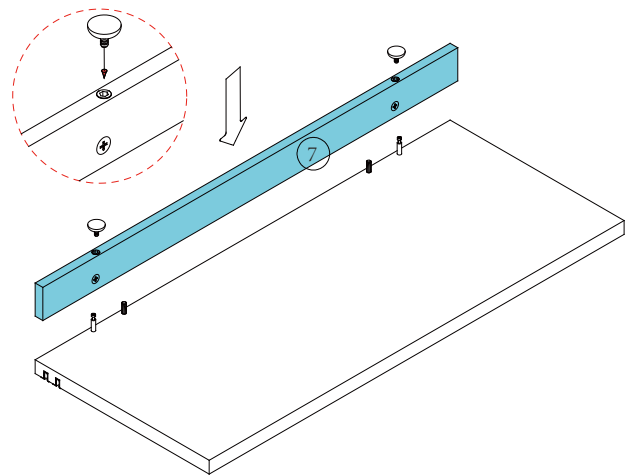
Installation steps



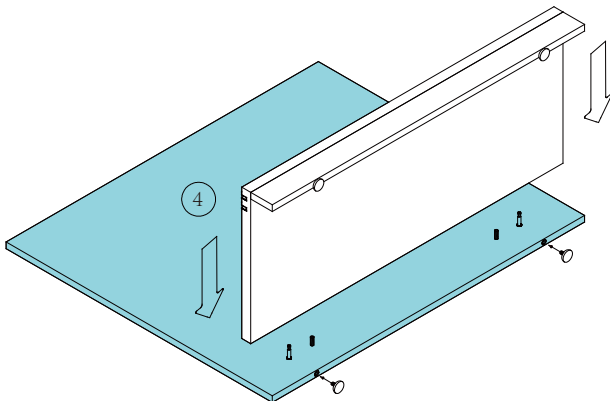
Code	Item	Qty
1	Top panel	x 1 pc
2	L panel	x 1 pc
3	R panel	x 1 pc
4	Back panel	x 1 pc
5	L door	x 1 pc
6	R door	x 1 pc
7	Skirting	x 1 pc
8	Bottom panel	x 1 pc
9	Shelf	x 1 pc



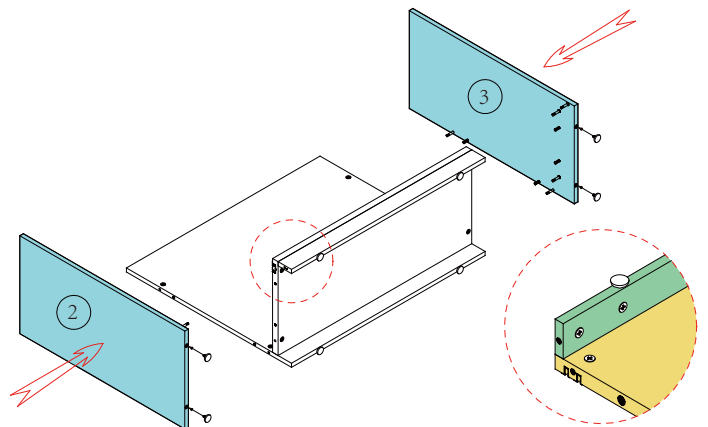
Step 1



Step 2

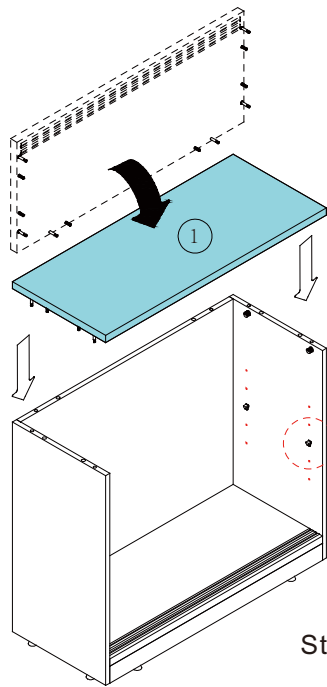


Step 3

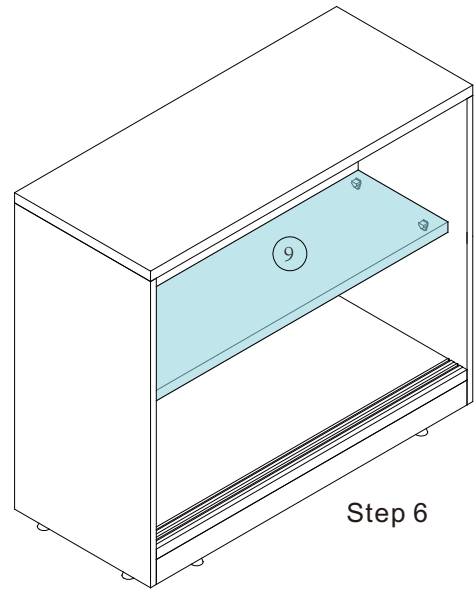
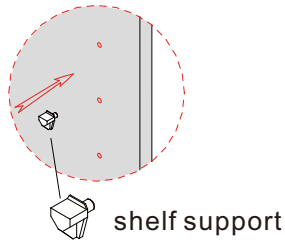


Step 4

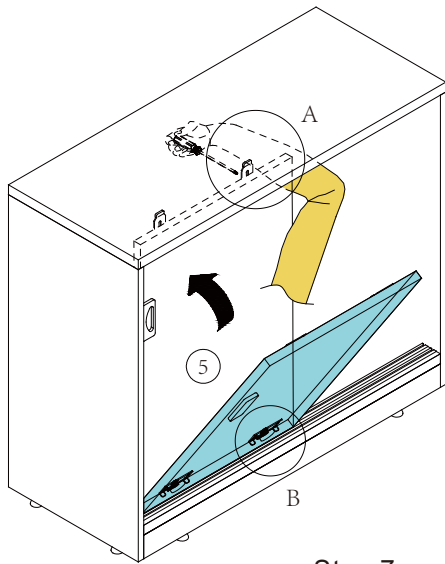
Installation steps



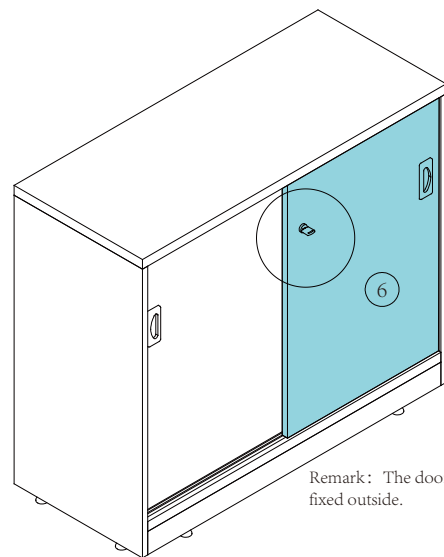
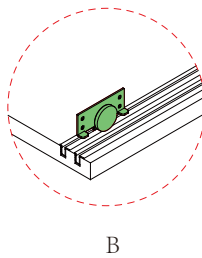
Step 5



Step 6

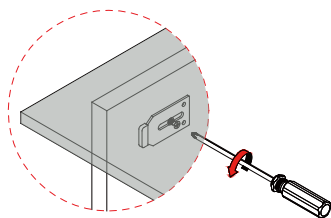


Step 7



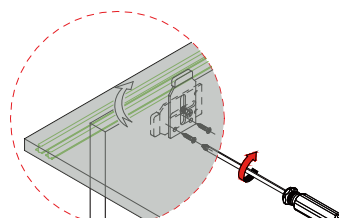
Remark: The door with lock should be fixed outside.

Step 8

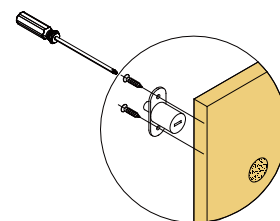


1. Loose the screw before fixing.

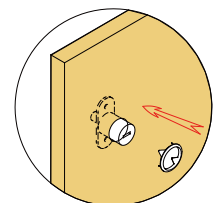
A



2. Turn the bracket 90° and fix it into the channel, after that tight the screw.



1



2

M & W

Web: mwworkstation.com

Mail: robbor@mwworkstation.com

Tel: +86 13695211636

WhatsApp: + 86 13695211636

Add: NO.3 Xingye North Road Dawotang Industrial
District Shishan Nanhai Foshan City Guangdong
P.R China



WhatsApp



Facebook



Instagram



Twitter



Pinterest



Linkein



YouTube