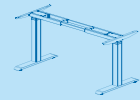
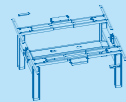


# CONTENTS



## *Classic Series*

Dual Motors Standing Desk Frame	05
Single Motor Standing Desk Frame	07
Hand Crank Standing Desk Frame	09
Pneumatic Standing Desk	11



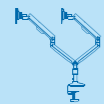
## *Project Series*

Three Legs Standing Desk Frame	17
Face To Face Workstation Frame	21
Single Leg Mobile Pneumatic Adjustable Bedside Table	23
Dual Motors Tilttable Standing Desk Frame	25
Single Leg Electric Standing Desk Frame	27



## *Standing Desk Converter Series*

Electric Standing Desk Converter with Monitor Mount	31
Electric Standing Desk Converter	33
Pneumatic Standing Desk Converter	35



## *Monitor Arm Series*

Monitor Arms	43
--------------	----



## *Accessories*

Mobile Pedestals	47
Metal Cable Trays	51
Screen Clips	51
Cable Management Spine	51
CPU Holder	51
Control Boxes	52
Handsets	53
Columns	55

M & W

**01**  
*Classic Series*



Classic Series

Dual Motors Standing Desk Frame

**AK2YJYT-TYZB3**

Dual Motors Standing Desk Frame

FINISH:



Column Tube Shape:  
Rectangle

Frame Size:  
1075~1800mm

Bracket:  
600mm

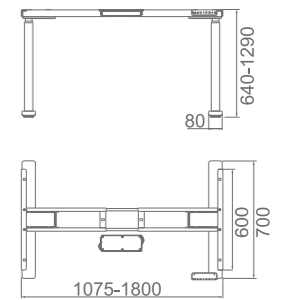
Speed:  
40mm/s



Height Range:  
640~1290mm

Feet Length:  
700mm

Max Loading:  
120kg



**AK2YJYT-TYZF2**

Dual Motors Standing Desk Frame

FINISH:



Column Tube Shape:  
Square

Frame Size:  
1075~1800mm

Bracket:  
600mm

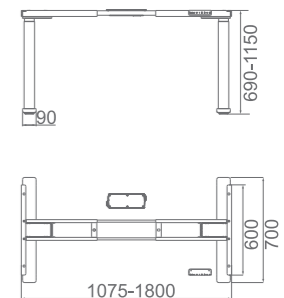
Speed:  
32mm/s



Height Range:  
690~1150mm

Feet Length:  
700mm

Max Loading:  
120kg







**AK2YJYT-TY-A-F**  
Single Motor Standing Desk Frame

FINISH:



Column Tube Shape:  
Square

Frame Size:  
1150~1600mm

Bracket:  
600mm

Speed:  
25mm/s

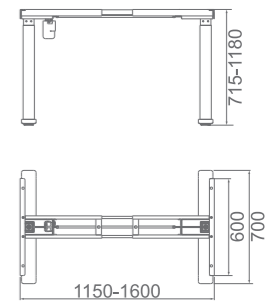
Model  
AK2YJYT-TY-AJ



Height Range:  
715~1180mm

Feet Length:  
700mm

Max Loading:  
100kg



**AK02DHL-TY-AJ-M02**  
Single Motor Standing Desk Frame

FINISH:



Column Tube Shape:  
Rectangle

Frame Size:  
1050~1630mm

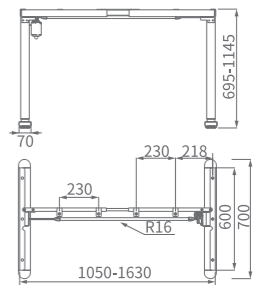
Bracket:  
600mm

Speed:  
28mm/s

Height Range:  
695~1145mm

Feet Length:  
700mm

Max Loading:  
85kg










Classic Series

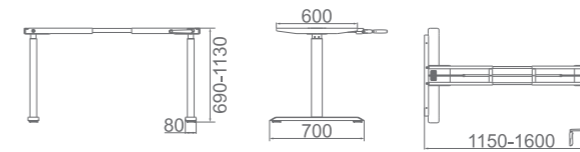




### AK2YJHT-Y-A-H

Hand Crank Standing Desk Frame

 <b>Column Tube Shape:</b> Rectangle	 <b>Height Range:</b> 690~1130mm
 <b>Frame Size:</b> 1150~1600mm	 <b>Feet Length:</b> 700mm
 <b>Max Loading:</b> 80kg	 <b>Speed:</b> 6.12mm/r
 <b>Bracket:</b> 600mm	










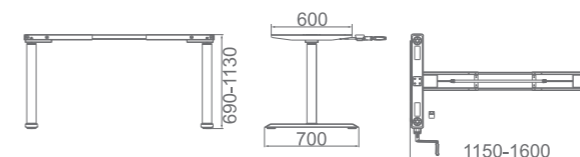
FINISH:



### AK2YJHRT-A-Y-SE

Hand Crank Standing Desk Frame

 <b>Column Tube Shape:</b> Round	 <b>Height Range:</b> 690~1130mm
 <b>Frame Size:</b> 1150~1600mm	 <b>Feet Length:</b> 700mm
 <b>Max Loading:</b> 80kg	 <b>Speed:</b> 16.7mm/r
 <b>Bracket:</b> 600mm	



FINISH:





# PNEUMATIC STANDING DESK

## AK-MR-P07-4 Pneumatic Standing Desk

**FINISH:**

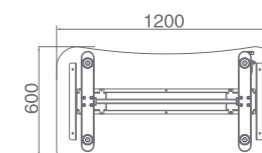
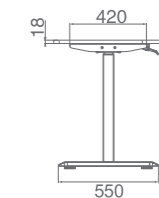
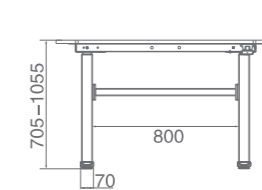


↑ **Height Range:**  
705~1055mm

⇅ **Bracket:**  
420mm

⚖ **Load Capacity:**  
Static 100kg  
(Frame Only)  
Dynamic 13kg  
(Frame Only)

⇅ **Feet Length:**  
550mm







**02**  
*Project Series*






# THREE LEGS STANDING DESK FRAME

 Column Tube Shape: Square / Rectangle

 Height Range: 640~1290mm / 3 stage  
690~1150mm / 2 stage

 Bracket: 600mm

 Feet Length: 700mm

 Speed: 40mm/s / 3 stage  
32mm/s / 2 stage

 Max Loading: 150kg

 Frame Size:



**AK3YJYT-TYZF3(90° )**  
1075~1800mm / Front 1075~1800mm / Side



**AK3YJYT-TYZF3(90° /120° /180° )**  
1085~1680mm / Front 1085~1680mm / Side



**AK3YJYT-TYZB2(90° )**  
1075~1800mm / Front 1075~1800mm / Side



**AK3YJYT-TYZB2(90° /120° /180° )**  
1085~1680mm / Front 1085~1680mm / Side

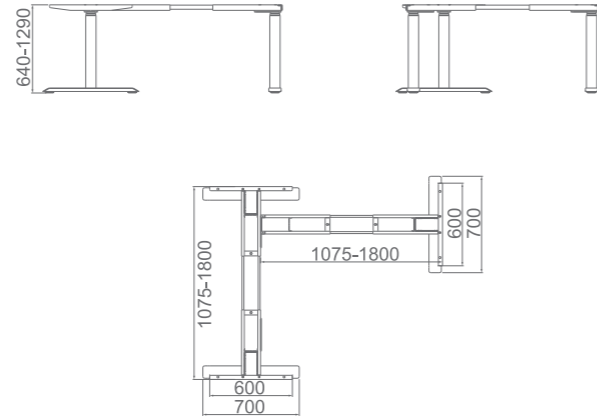


Project Series

Three Legs Standing Desk Frame



AK3YJYT-TYZF3(90° )



FINISH:

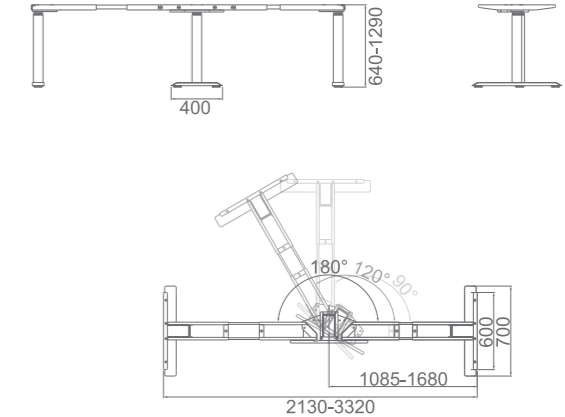


Project Series

Three Legs Standing Desk Frame



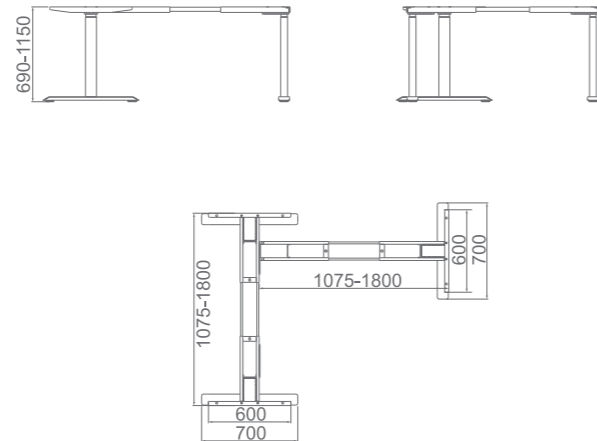
AK3YJYT-TYZF3(90° /120° /180° )



FINISH:



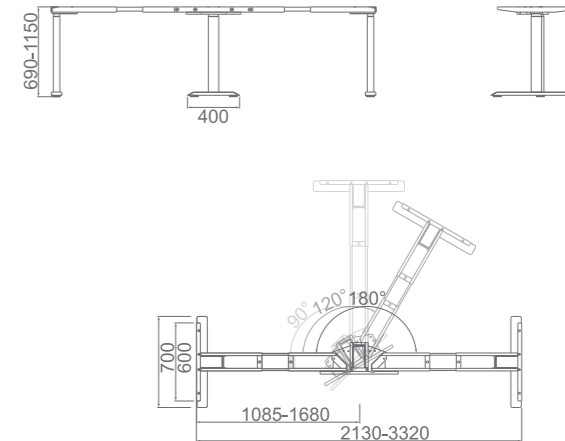
AK3YJYT-TYZB2(90° )



FINISH:



AK3YJYT-TYZB2(90° /120° /180° )



FINISH:



Project Series

Face To Face Workstation Frame

Project Series

Face To Face Workstation Frame

M & W



**PROJECT  
SERIES**



Projects Series

# FACE TO FACE WORKSTATION FRAME

( AK2YJYT-TYZF3 ) \*2

Column Tube Shape: Square      Height Range: 640~1290mm

Frame Size: 1250~1590mm      Bracket: 600mm

Speed: 40mm/s      Max Loading: 120kg Each Frame

FINISH:



TYZB3      ZY3



( AK2YJYT-TYZB2 ) \*2

Column Tube Shape: Rectangle      Height Range: 690~1150mm

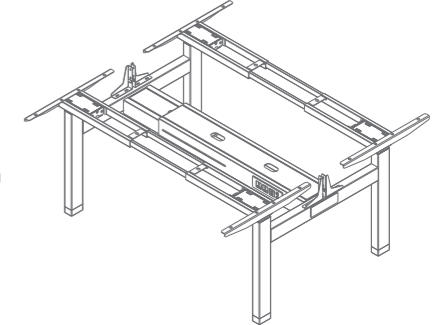
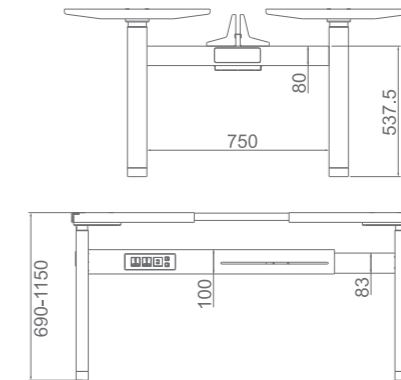
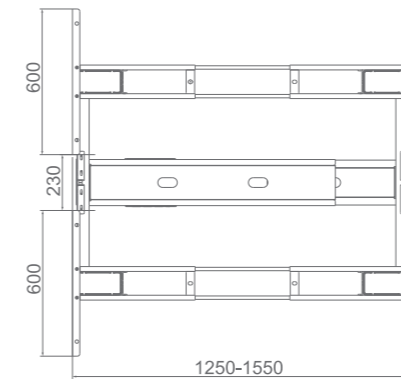
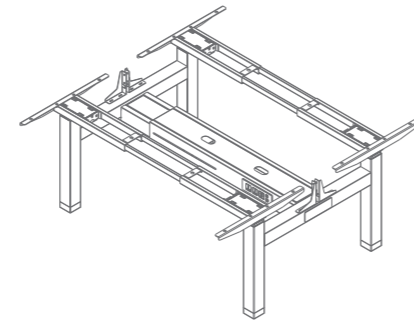
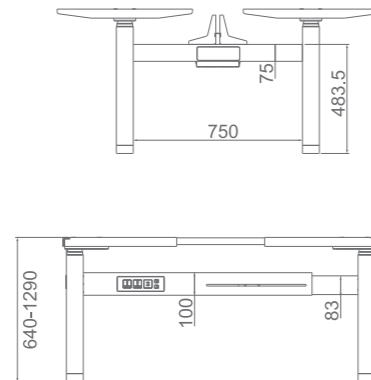
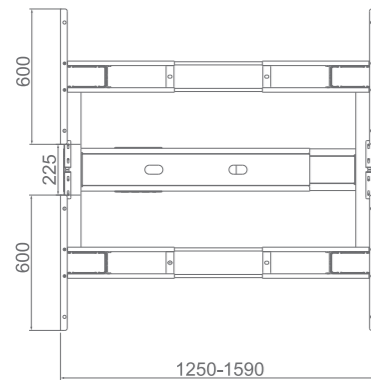
Frame Size: 1250~1550mm      Bracket: 600mm

Speed: 32mm/s      Max Loading: 120kg Each Frame

FINISH:



TYZF2      ZY2





Project Series **Single Leg Mobile Pneumatic Adjustable Bedside Table**

# PROJECTS SERIES




## AK-MR-P20


Single Leg Mobile  
Pneumatic Adjustable Bedside Table

**FINISH:**




 **Column Tube Shape:**  
Rectangle

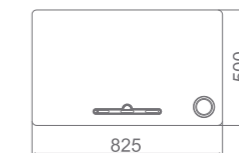
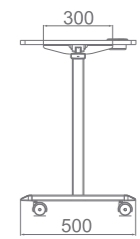
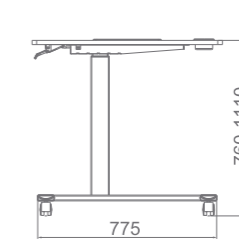
 **Height Range:**  
760~1110mm

 **Board Size:**  
825\*500mm

 **Bracket:**  
300mm

 **Feet Length:**  
500mm

 **Max Loading:**  
Static 30kg  
Dynamic 6kg














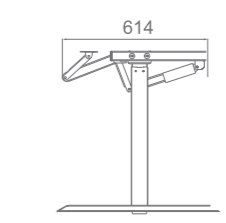
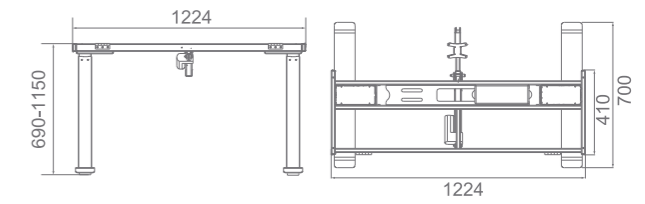


Projects Series  
**Dual Motors  
Titable Standing  
Desk Frame**  
AK2QX-ZF2



-  Tilt Angle  
**0~40°**
-  Time  
**10s**
-  Max. Load when tilt  
**25kg**

-  Height Range:  
690~1150mm
-  Size:  
1224\*700mm
-  Bracket:  
410mm
-  Feet Length:  
700mm
-  Speed:  
32mm/s
-  Max Loading:  
120kg



**FINISH:**





# PROJECTS SERIES

Project Series

Single Leg Electric Standing Desk Frame

M & W




## AK1E-TYZF3

Single Leg Electric Standing Desk Frame

### FINISH:



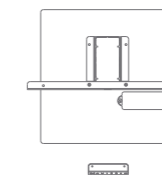
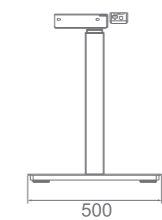
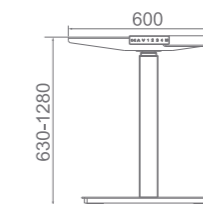
 Column Tube Shape:  
Square

 Height Range:  
630~1280mm

 Speed:  
45mm/s

 Bracket:  
600mm

 Max Loading:  
60kg





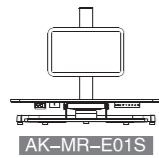
**03**

*Standing Desk Converter Series*



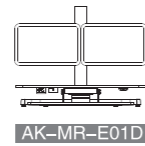
Standing Desk Converter Series

# ELECTRIC STANDING DESK CONVERTER WITH MONITOR MOUNT



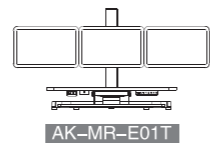
AK-MR-E01S

15" (MIN) ~40" (MAX)



AK-MR-E01D

15" (MIN) ~31.5" (MAX)



AK-MR-E01T

15" (MIN) ~19" (MAX)



Monitor Size:



Max Loading:

10KG

10KG

8KG

Size: 874\*558mm

Height Range For Keyboard: 30~460mm

Speed: 40mm/s

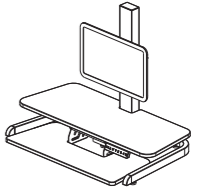
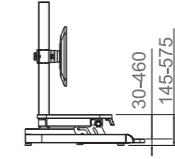
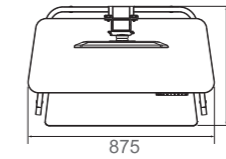
Height Range For Top: 145~575mm

Max Loading: 15kg

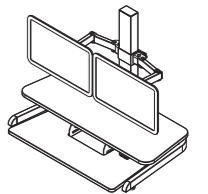
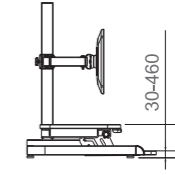
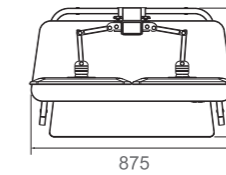
FINISH:



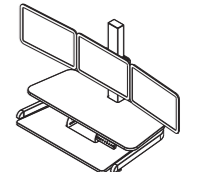
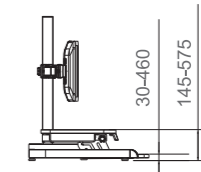
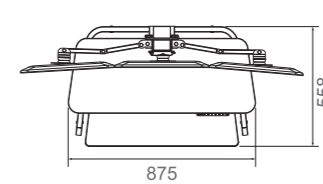
AK-MR-E01S



AK-MR-E01D



AK-MR-E01T





# ELECTRIC STANDING DESK CONVERTER

**FINISH:**



## AK-MR-E03S

Size:  
 AK-MR-E03S 915\*747mm  
 AK-MR-E04S 1100\*727mm

Height Range For Keyboard:  
 20~420mm

Height Range For Top: Desktop Max Loading:  
 150~550mm 20kg

Single Route Time: Keyboard Max Loading:  
 15s 5kg

**FINISH:**



## AK-MR-E07

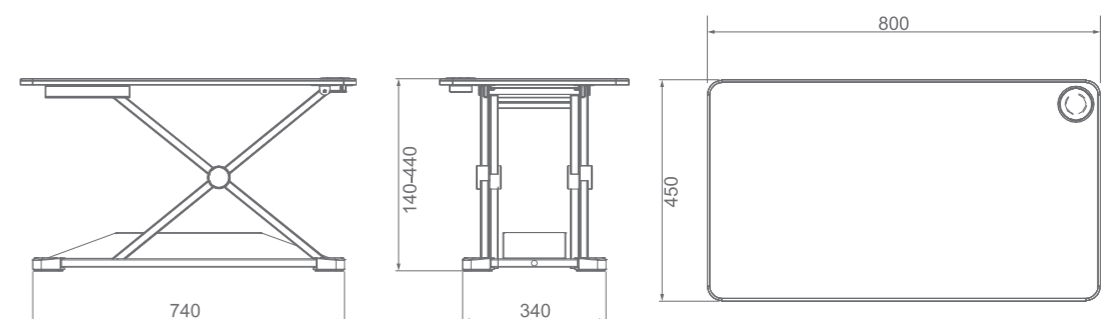
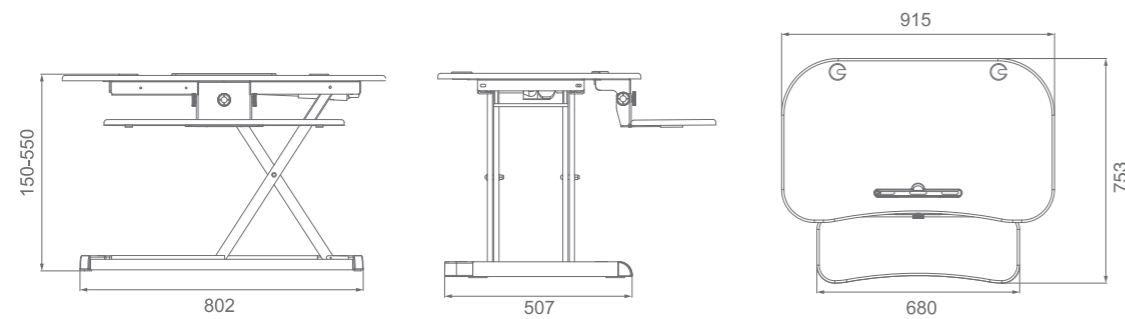
Size:  
 800\*450\*15mm

Height Range For Top: Max Loading:  
 140~440mm 20kg

Speed:  
 15mm/s



Model AK-MR-E04S



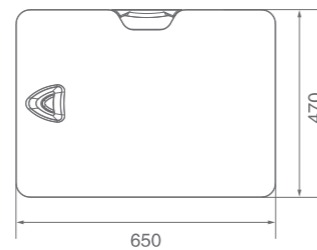
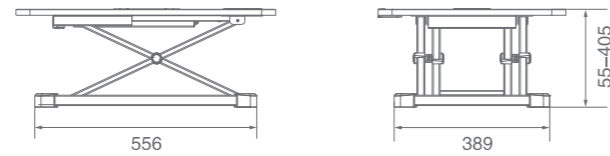


# PNEUMATIC STANDING DESK CONVERTER

## AK-MR-P13-2-L

↑ Height Range For Top: 55~405mm    Max Loading: 8kg

↔ Size: 650\*470mm



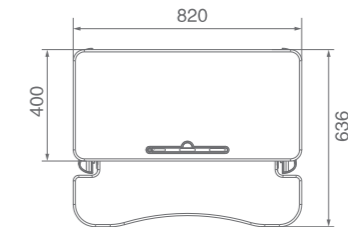
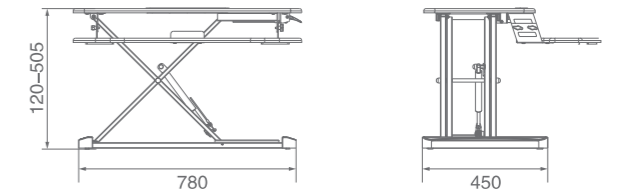
**FINISH:**



## AK-MR-P22

↑ Height Range For Top: 120~505mm    Desktop Max Loading: 15kg

↔ Size: 820\*400mm    Keyboard Max Loading: 2kg



**FINISH:**



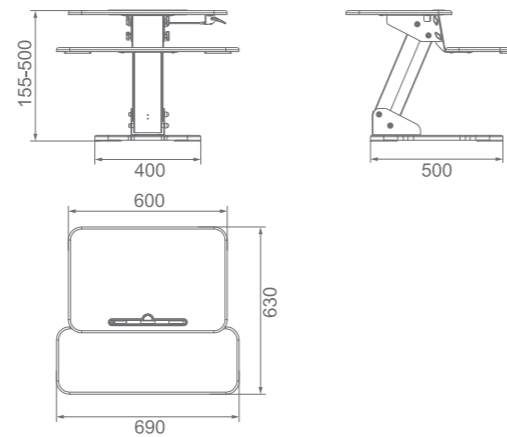


# PNEUMATIC STANDING DESK CONVERTER

## AK-MR-P23

↑ Height Range For Top: 155~500mm  
📦 Desktop Max Loading: 10kg

↔ Size: 600\*400mm  
📦 Keyboard Max Loading: 2kg



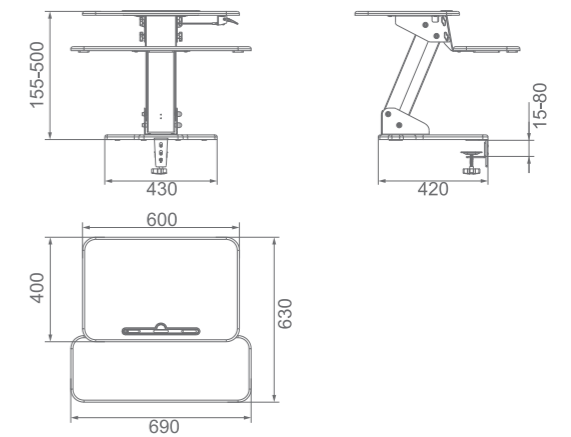
**FINISH:**



## AK-MR-P24

↑ Height Range For Top: 155~500mm  
📦 Desktop Max Loading: 10kg

↔ Size: 600\*400mm  
📦 Keyboard Max Loading: 2kg



**FINISH:**





**04**  
*Monitor Arm Series*





# SINGLE MONITOR ARM

## AK-MA02S

- Monitor Size: 14"~32"
- Height Range: 24cm
- Rotation Angle: 360°
- Material: ABS & Aluminum
- Weight Capacity: 2-9kg



tension adjustment for the up/down arm



tighten with desktop connection



easy installation (with cable management + bottom wire perforation)



lift range: 258-503mm



tilt: +90-50°



swivel: ± 90°



rotation: 360°

# DUAL MONITOR ARMS

## AK-MA02D

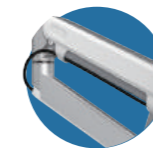
- Monitor Size: 14"~32"
- Height Range: 24cm
- Rotation Angle: 360°
- Material: ABS & Aluminum
- Weight Capacity: 2-9kg



tension adjustment for the up/down arm



tighten with desktop connection



easy installation (with cable management + bottom wire perforation)



lift range: 258-503mm



tilt: +90-50°



swivel: ± 90°



rotation: 360°

**05**  
*Accessories*



# MOBILE PEDESTAL

AK-PC-390

Size:  
500\*390\*470mm



**COLOR:**

Beige	Black	Cobalt Blue	Carbon
Gunmetal	Pearl Green	Ice Grey	

# MOBILE PEDESTAL

AK-PC-300

Size:  
500\*300\*470mm



**COLOR:**

Beige	Black	Cobalt Blue	Carbon
Gunmetal	Pearl Green	Ice Grey	

**AK-PC-390**

**FINISH:**

White	Grey	Black
-------	------	-------

**AK-PC-300**

**FINISH:**

White	Grey	Black
-------	------	-------





**METAL CABLE TRAY**



Size:

800\*125\*75mm

**CABLE MANAGEMENT SPINE**



Length:

1280mm



Size:

68\*36mm

**CPU HOLDER**



Length:

135~245mm

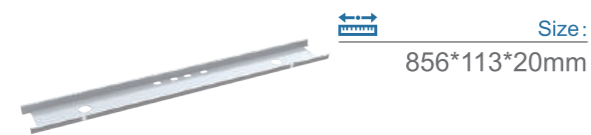
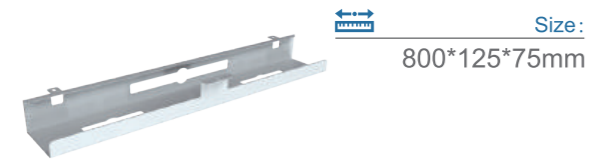


Height:

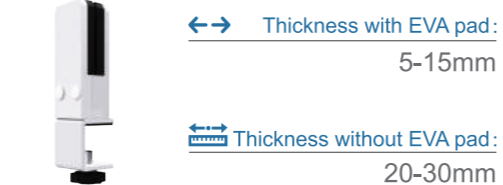
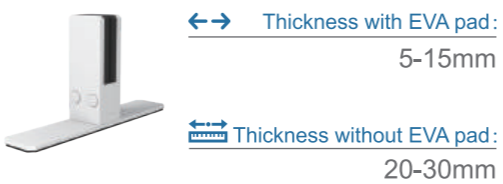
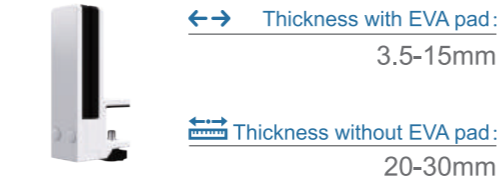
300~455mm



## METAL CABLE TRAYS



## SCREEN CLIPS



## CONTROL BOXES



**TC15**

↔ Size:  
242\*94\*40mm

∨ Maximum Output:  
32V DC, 6A



**TC16**

↔ Size:  
261\*94\*38mm

∨ Maximum Output:  
32V DC, 6A



**TC11**

↔ Size:  
242\*66\*39mm

∨ Maximum Output:  
29V DC, 2.5A



**TC15S**

↔ Size:  
242\*94\*41mm

∨ Maximum Output:  
32V DC, 8A

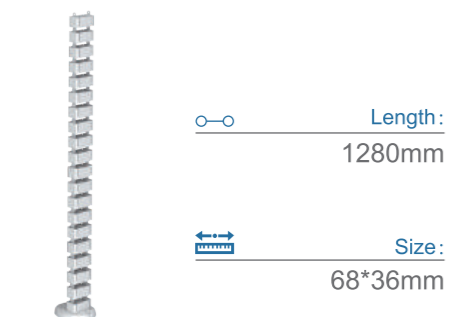


**TC16P**

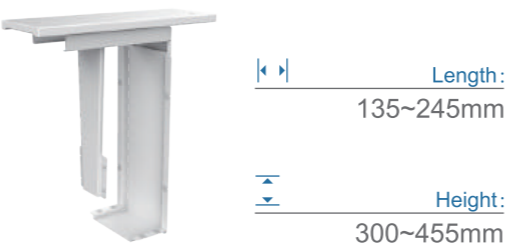
↔ Size:  
261\*94\*38mm

∨ Maximum Output:  
32V DC, 10A

## CABLE MANAGEMENT SPINE



## CPU HOLDER



**0.1W**  
standby power  
consumption

# HANDSETS



**TFH8**  
▲ ▼  
Up / Down



**TDH6**  
1/2/3/4  
Memory Function  
Available Buttons: 7  
Digit Display



**TDH18P-1294-001** **TDH18P-1294-002**  
1/2  
Memory Function  
Available Buttons: 5  
Digit Display  
Bluetooth Adapter  
USB  
Lock



**TDH5**  
1/2/3/4  
Memory Function  
Available Buttons: 6  
Digit Display



**TDH6PR**  
1/2/3/4  
Memory Function  
Available Buttons: 7  
Digit Display



**TDH19P**  
1/2/3/4  
Memory Function  
Available Buttons: 6  
Digit Display



**TDH20P-1294-001**  
1/2  
Memory Function  
Available Buttons: 5  
Digit Display



**TDH20P-1294-002**  
1/2/3  
Memory Function  
Available Buttons: 5  
Digit Display





# COLUMNS

FINISH:



3-STAGE  
COLUMNS



**TYZB3**  
80\*50mm  
75\*45mm  
70\*40mm



**YZB3**  
90\*60mm  
80\*50mm  
70\*40mm



**ZB3**  
80\*50mm  
75\*45mm  
70\*40mm



**DB3**  
80\*50mm  
75\*45mm  
70\*40mm



**TYZF3**  
75\*75mm  
70\*70mm  
65\*65mm



**YZF3**  
70\*70mm  
60\*60mm  
50\*50mm



**ZF3**  
75\*75mm  
70\*70mm  
65\*65mm



**DF3**  
75\*75mm  
70\*70mm  
65\*65mm



**ZY3**  
Φ70mm  
Φ62mm  
Φ54mm

2-STAGE  
COLUMNS



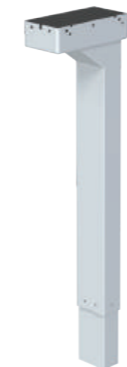
**TYZB2**  
80\*50mm  
75\*45mm



**YDZB2**  
90\*60mm  
80\*50mm



**ZB2**  
80\*50mm  
75\*45mm



**DB2**  
80\*50mm  
75\*45mm



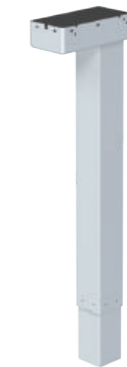
**TYZF2**  
70\*70mm  
65\*65mm



**YZF2**  
60\*60mm  
50\*50mm



**ZF2**  
70\*70mm  
65\*65mm



**DF2**  
70\*70mm  
65\*65mm



**ZY2**  
Φ70mm  
Φ62mm