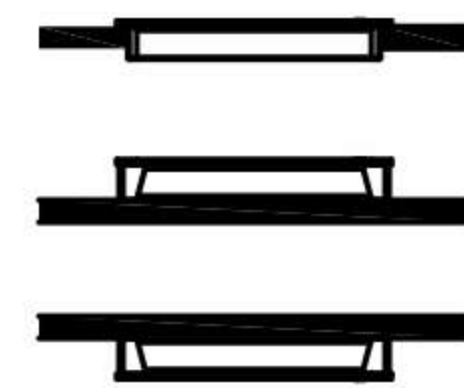




# GUIDELINE

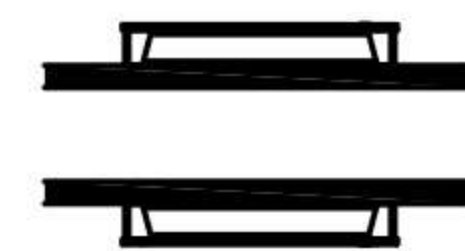
**CK01**

P3



**CK06**

P15



**CK05**

P13



**CK07**

P19



**CK09**

P21



**CK02L & CK02H**

P5



1

## Category:

Built-in Socket

Desktop Socket

Underneath type



2

## Application:

Standard Workstations / Height-adjustable Desk

Conference Table / Multi-media Room

Panel System

Hotel Room

Charging Stations / Night Stand

M&W





Daisy Chain Power Connection

## CK01 Nice & Versatile

- Category: in desk, under desk
- Easy to install with provided mounting brackets
- 3 mounting methods for easy installation
- New mounting bracket for installation inside cable tray
- Customized to any combination of power, data & custom modules
- Capable of daisy chain power connection

### Patented product



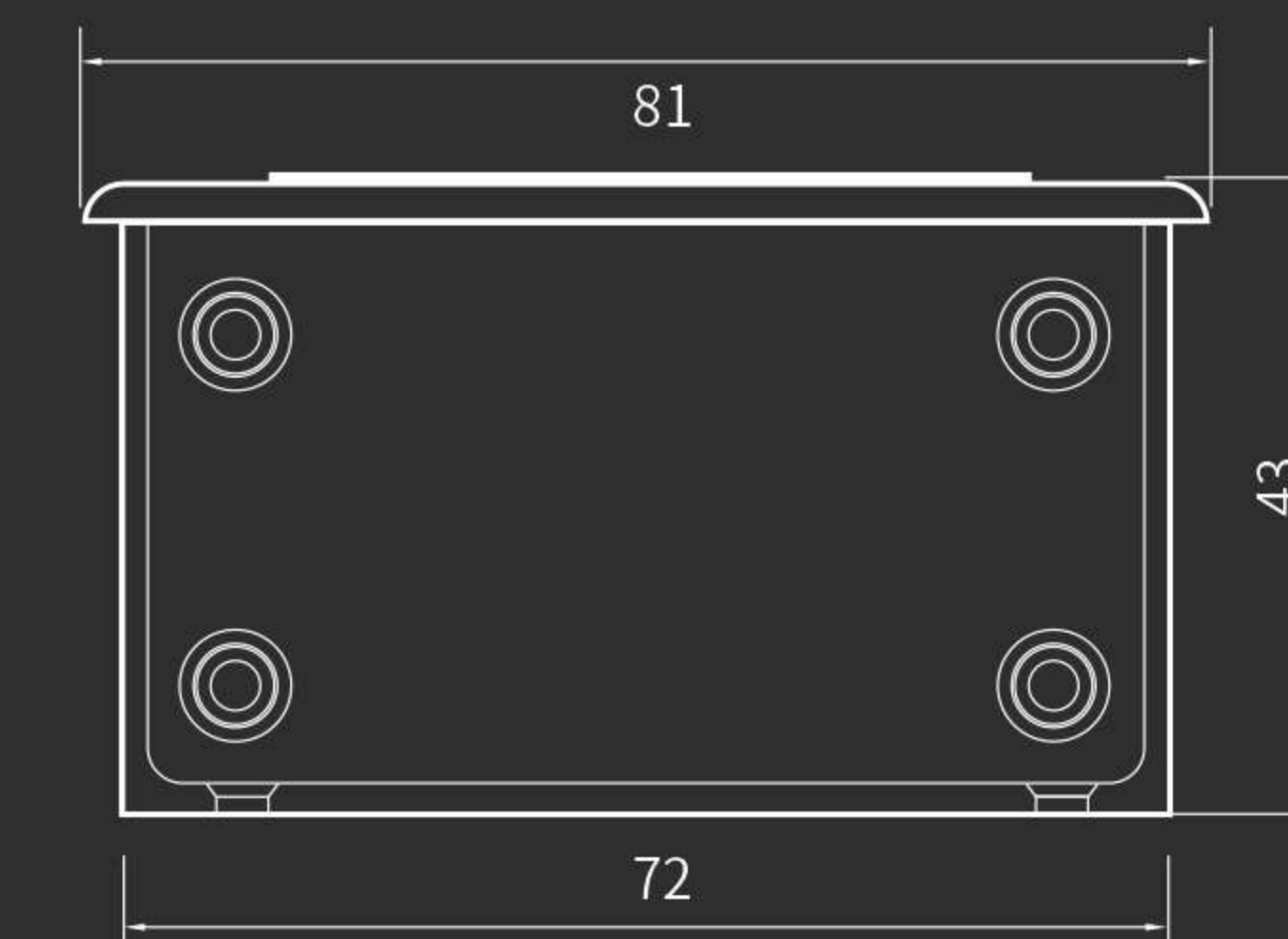
Ideal for: panel, training room, work station, hotel room

Anodized aluminum body: Clear / Black ●○  
 Modules: White / Black ●○  
 End caps: Silver / Black ●○



### Specification

Min size	1.5 modules
Max size	7 modules
Length (L)	No. of modules * 53 + 44 mm
Dimensions	L x 81d x 43h mm
Cut hole	[L -19.5] x 72d mm



### Installation instruction

#### 1 Installation on panel



#### 2 Installation on desktop



#### 3 Installation inside cable tray








# CK02H Ordinary & Practical

- Category: on desk
- Easy to install without tools required
- 2 mounting methods for fast & easy installation
- Customized to any combination of power, data & custom modules
- Capable of daisy chain power connection

### Patented product



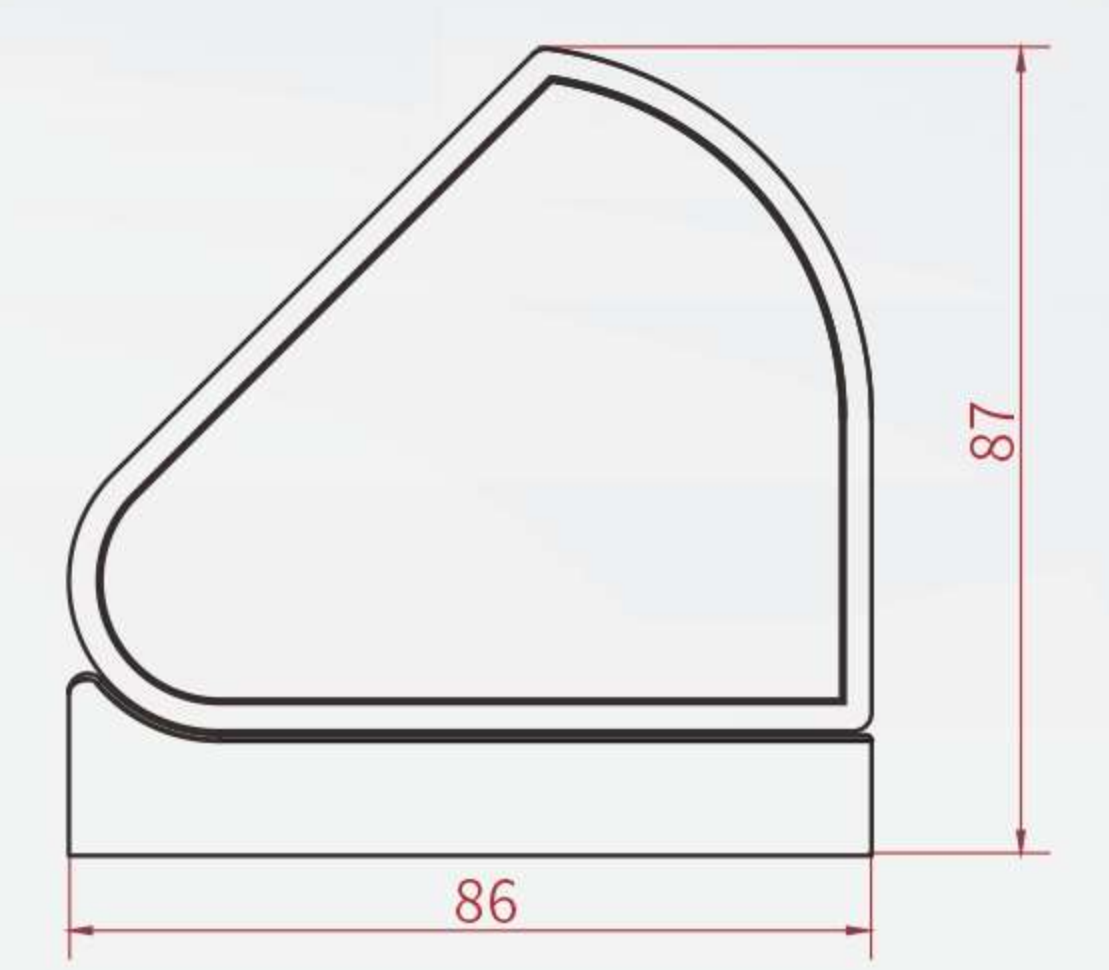
 Ideal for: height adjustable desk, training room, work station, hotel room

Anodized aluminum body: Clear / Black ●●  
 Modules: White / Black ●●  
 End caps: Silver / Black ●●



### Specification

Min size	1.5 modules
Max size	7 modules
Length (L)	No. of modules * 53 + 14 mm
Dimensions	L x 86d x 87h mm

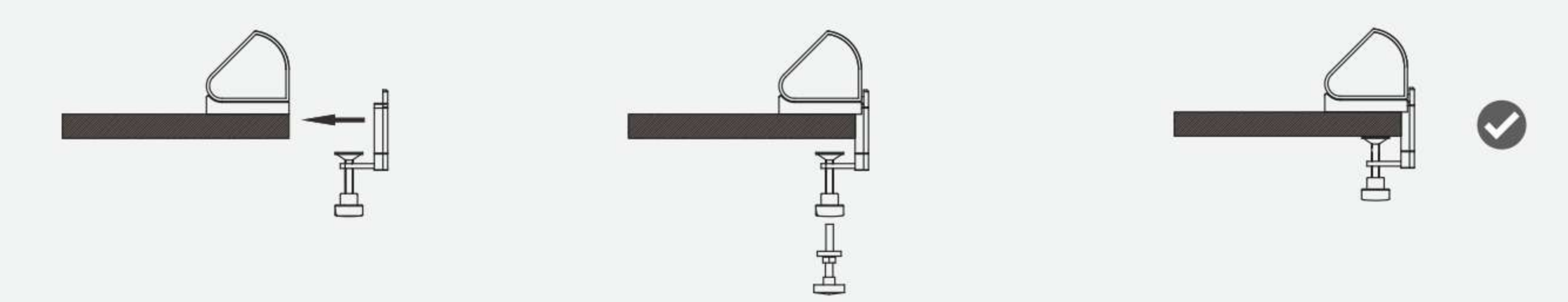


M&W

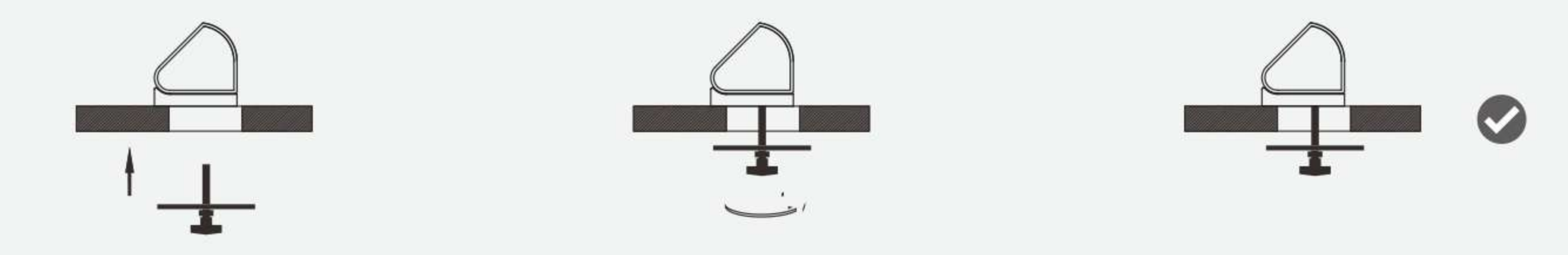
### Installation instruction



#### 1 Clamp mount installation



#### 2 Grommet mount installation







# CK02L Clean & Compact

- Category: on desk
- Easy to install without tools required
- 3 mounting methods for fast & easy installation
- Customized to any combination of power, data & custom modules
- Capable of daisy chain power connection

### Patented product



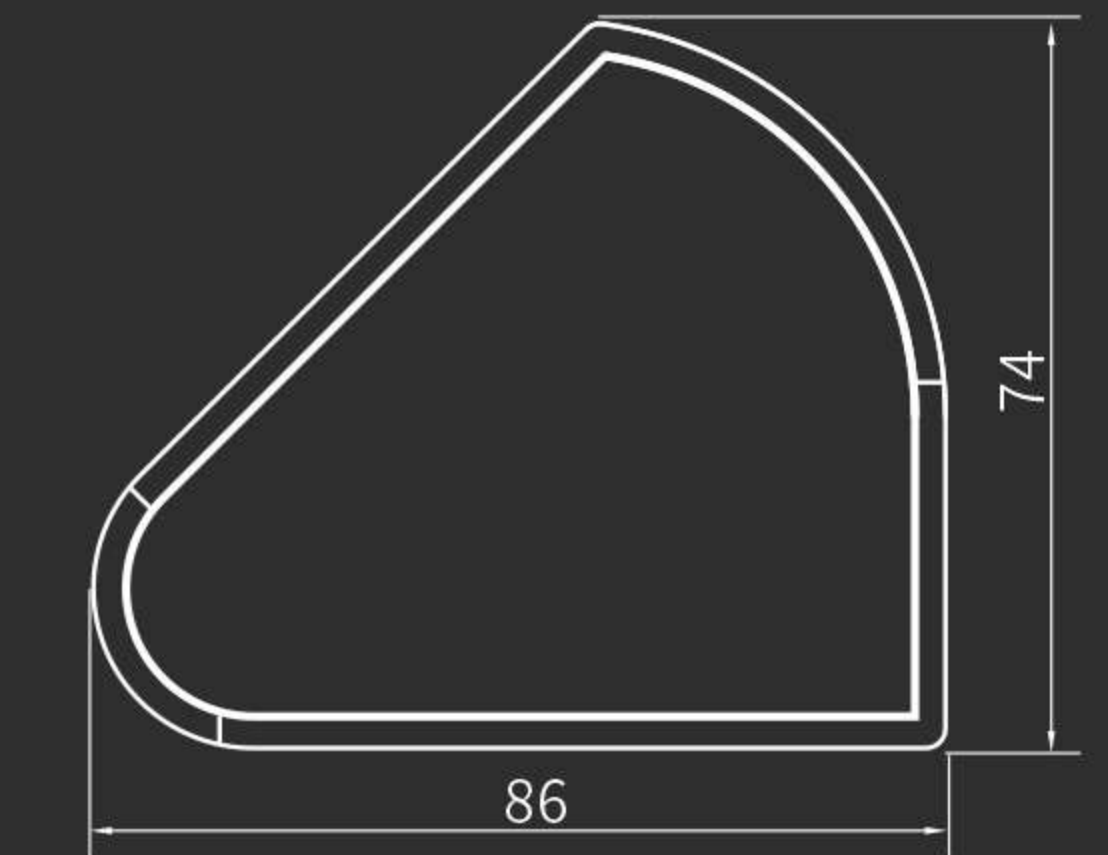
Ideal for: height adjustable desk, training room, work station, hotel room

Anodized aluminum body: Clear / Black ●●  
 Modules: White / Black ○●  
 End caps: Silver / Black ●●



### Specification

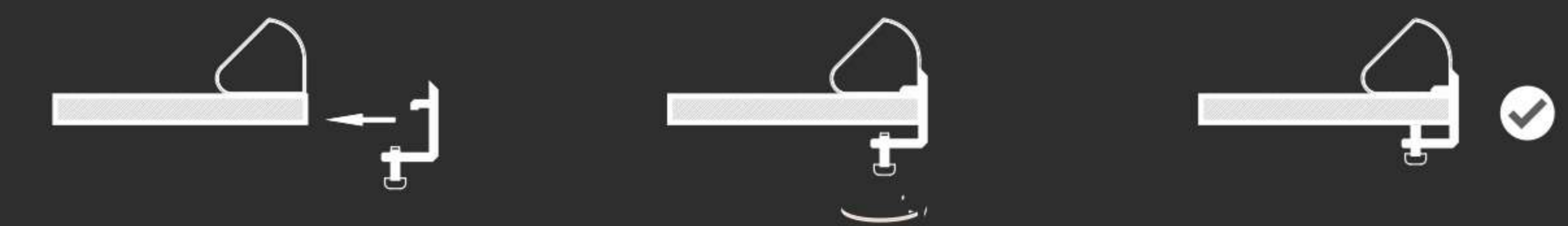
Min size	1.5 modules
Max size	7 modules
Length (L)	No. of modules * 53 + 14mm
Dimensions	L x 86d x 74h mm



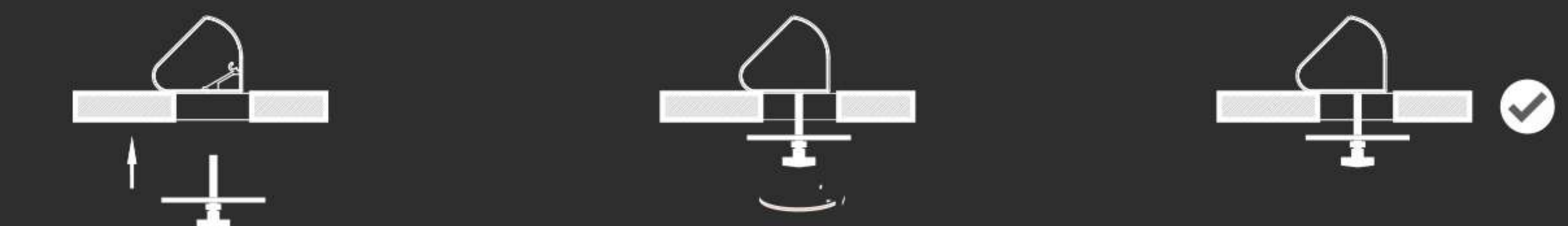
### Installation instruction



#### 1 Clamp mount installation



#### 2 Grommet mount installation



#### 3 Mounting tape installation

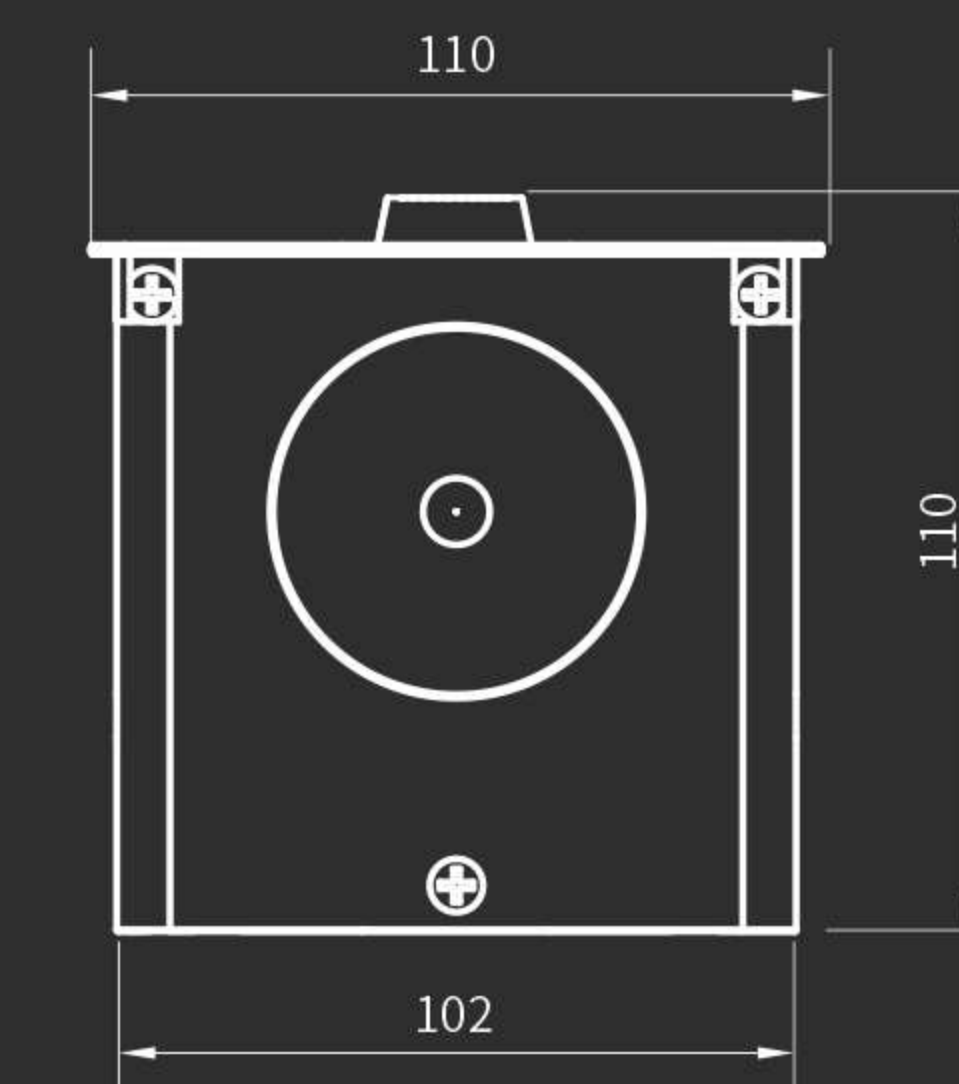






### Specification

Min size	3 modules
Max size	5.5 modules
Length (L)	No. of modules * 53 + 138mm
Dimensions	L x 102d x 110h mm
Cut hole	[L-30] x 106d mm



## CK03 Classic & Elegant

ELECTRICAL ROTARY POWER DATA BOX

Category : in desk

Easy to install with provided mounting screws

Customized to any combination of power, data & custom modules

\* Dual infrared protection sensors to avoid accidents from pinching wires or fingers due to pressing the switch accidentally.

Patented product



Standard version



Black strip version

### Installation instruction



Info icon: Ideal for: conference table, executive desk, training room

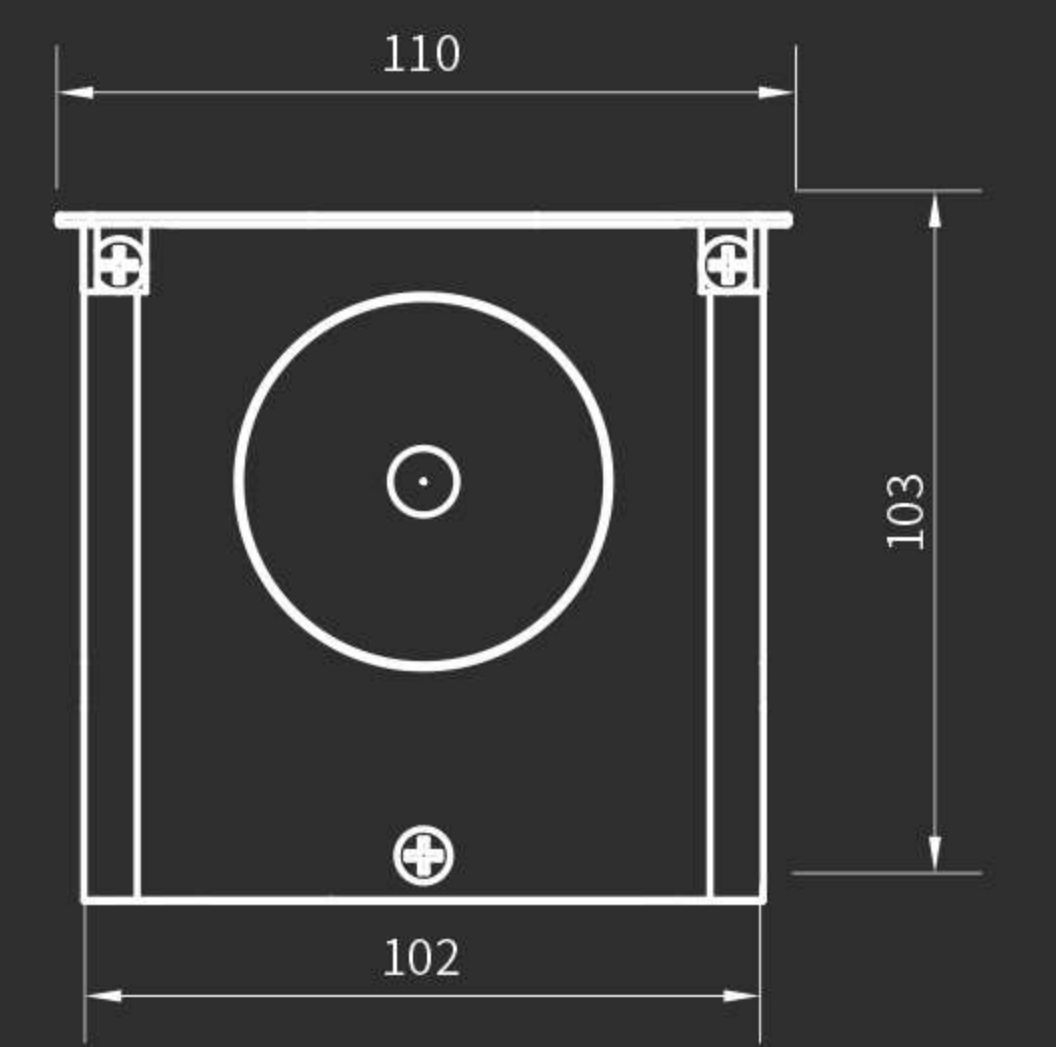
Anodized aluminum body: Clear / Black ● ○  
Modules: White / Black ● ○  
End caps: Silver / Black ● ○





### Specification

Min size	2 modules
Max size	6.5 modules
Length (L)	No. of modules * 53 + 85mm
Dimensions	L x 102d x 103h mm
Cut hole	[L-30] x 106d mm



## CK03M Simple & Neat

MANUAL ROTARY POWER DATA BOX  
 Category: in desk  
 Easy to install with provided mounting screws  
 Customized to any combination of power, data & custom modules

Patented product



Standard version



Black strip version

### Installation instruction



**i** Ideal for: conference table, executive desk, training room

Anodized aluminum body: Clear / Black ● ○  
 Modules: White / Black ● ○  
 End caps: Silver / Black ● ○





# CK05 Affordable & Compact

Category: in desk  
Detachable plastic back cover allows more convenient wiring for project  
Easy to install with provided self-tapping screws  
Customized to any combination of power, data & custom modules

Patented product



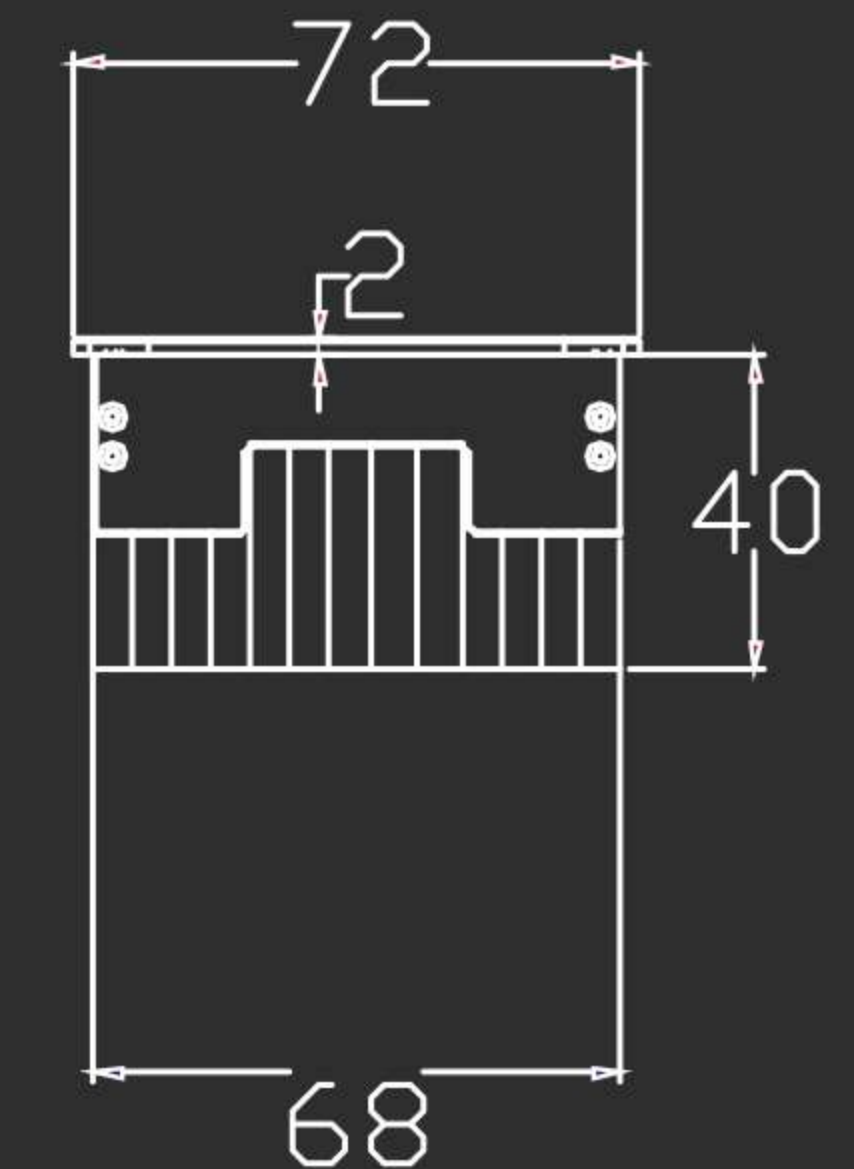
**i** Ideal for: work station, panel and training room

Anodized aluminum edging: Clear / Black ●●  
Modules: Black ●  
End caps: Black ●



## Specification

Min size	1.5 modules
Max size	7 modules
Length (L)	No. of modules * 53 + 26.5 mm
Dimensions	L x 72d x 42h mm
Cut hole	[L-15.5] x 69d mm



## Installation instruction







## CK06 Contemporary & Slim

Category: on desk, under desk  
Easy to install without cutout on work surface  
4 mounting methods and 2 of them without tools required  
Customized to any combination of power, data & custom modules  
Capable of daisy chain power connection

Patented product

UL cUL CCC CE RoHS



Ideal for: height adjustable desk, training room, work station, hotel room

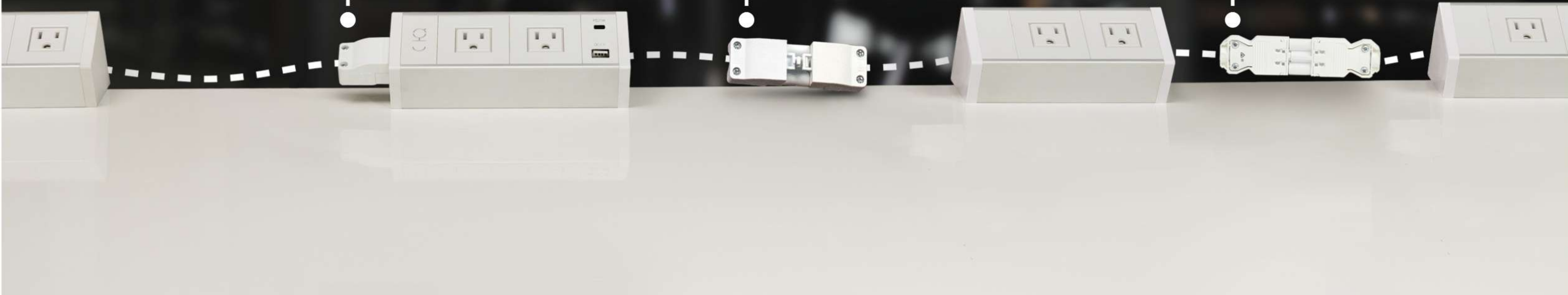
Anodized aluminum body: Clear / Black ●●  
Modules: White / Black ○●  
End caps: White/ Black ○●







● Daisy chain connection way ①      ● Daisy chain connection way ②      ● Daisy chain connection way ③



New under desk mounting

### Installation instruction



1 Clamp mount to install on the edge of a work surface



2 Underneath mount to install underneath a work surface

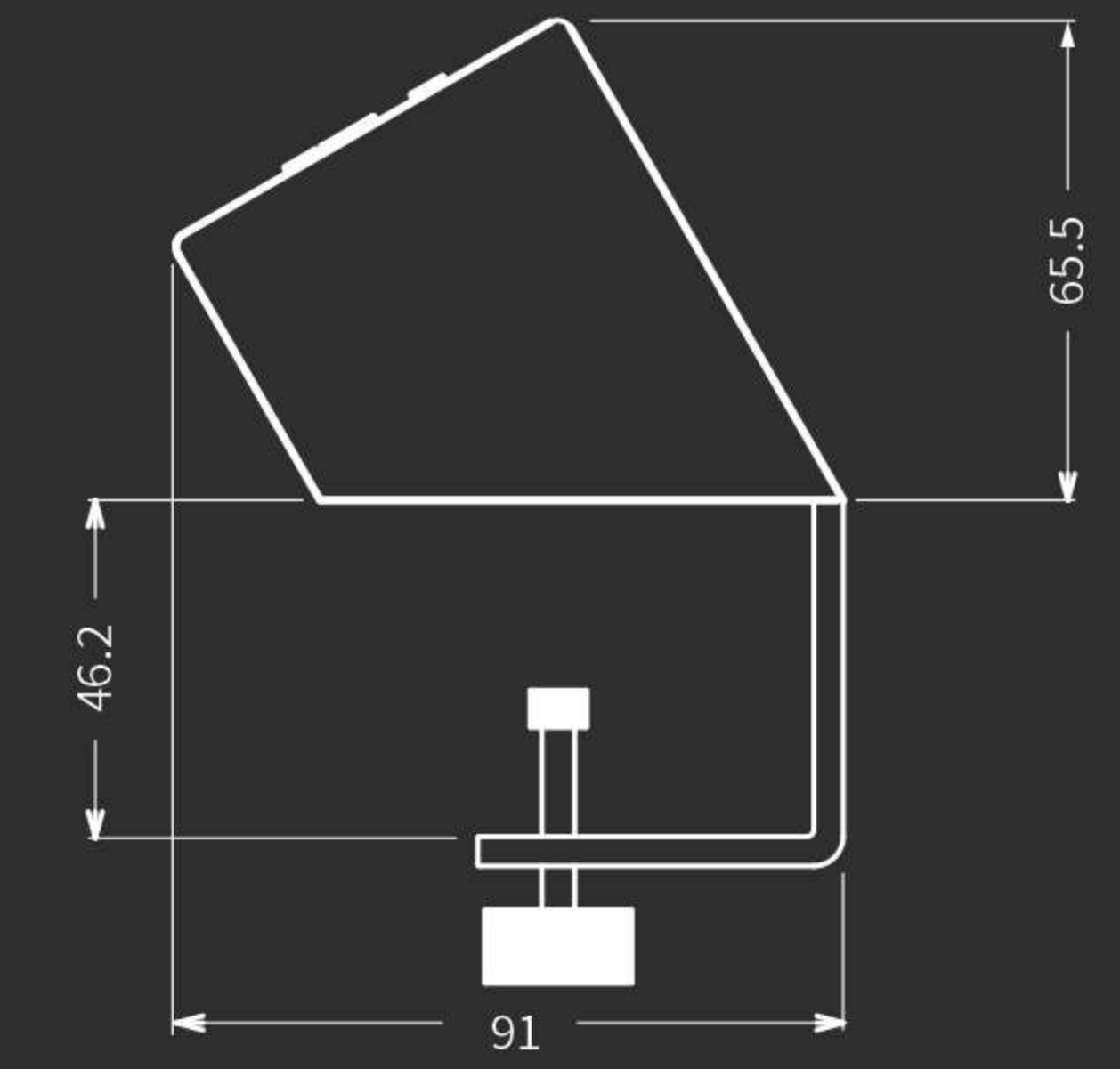


3 Grommet mount to install over a grommet hole of a work surface



### Specification

Min size	1.5 modules
Max size	7 modules
Length (L)	No. of modules * 53 + 16 mm
Dimensions	L x 91d x 65.5h mm



M&W






# CK07 CK07M

Clean & Lovely **NEW!**

Category: in desk  
Sliding cover to prevent spilled liquid entering into the unit  
Two styles to meet different requirement  
Customized to any combination of power, data & custom modules

Patented product



 Ideal for: meeting, training room, hotel room and work station

- Modules: White / Black ●●
- Sliding Cover: Silver / Black ●●
- Plastic detachable body (CK07): Dark grey ●
- Anodized aluminum body (CK07M): Clear / Black ●●

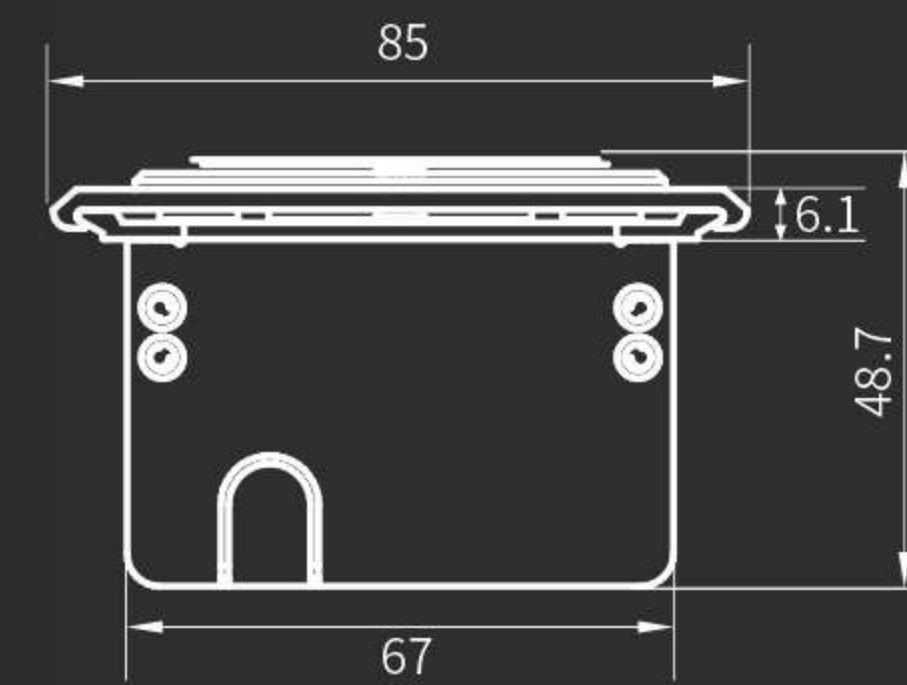
## CK07



Modular face plate



Detachable plastic bottom cover



Min size	3.5 modules
Max size	8.5 modules
Standard size	4 modules
Dimensions	265L * 85d * 48.7h mm
Cut hole	252L * 69d mm

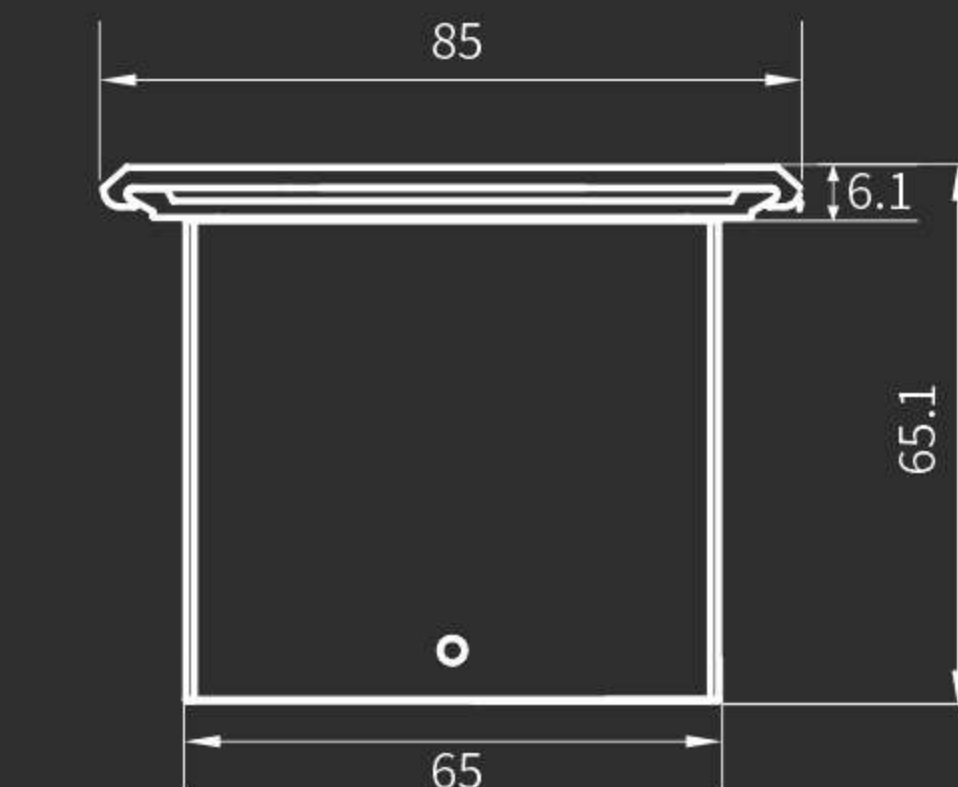
## CK07M



One piece face plate



Anodized aluminum body



Min size	3.5 modules
Max size	8.5 modules
Length (L)	No. of modules * 53 + 56.5 mm
Dimensions	L x 85d x 65.1h mm
Cut hole	[L - 14] x 67d mm

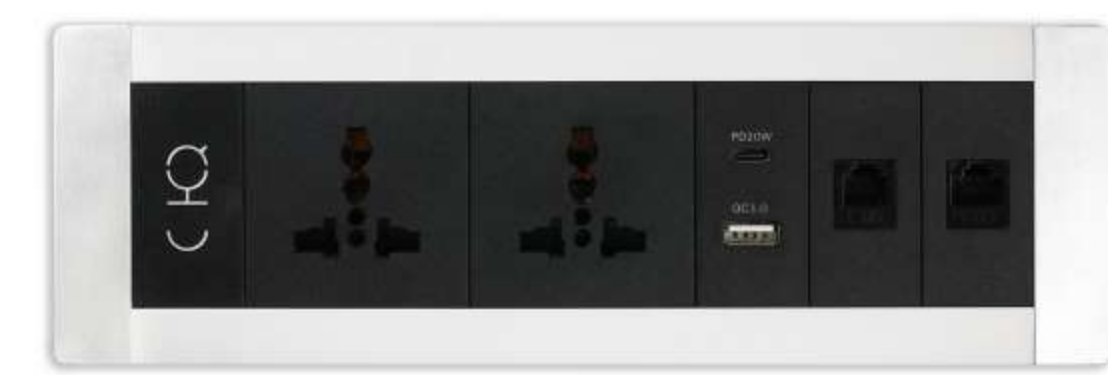




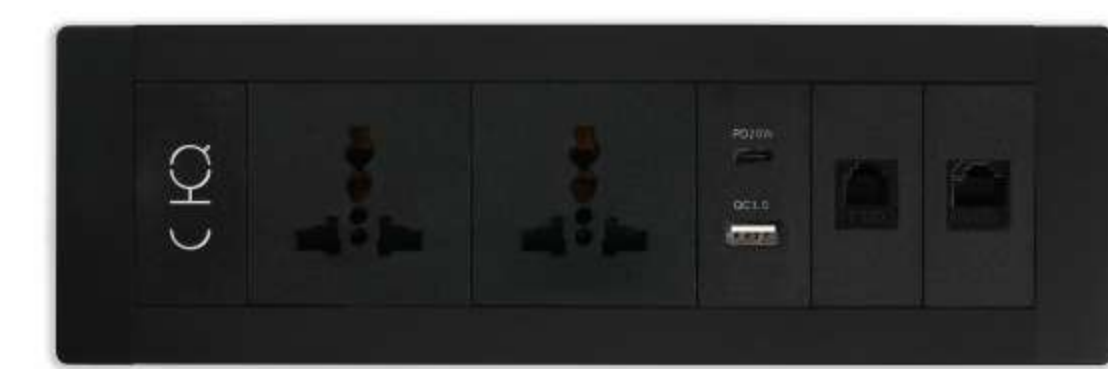
## CK09 Graceful & Slender

Category: in desk  
More flatter while elegant as usual  
Easy to install with provided mounting brackets  
Customized to any combination of power, data & custom modules

Patented product



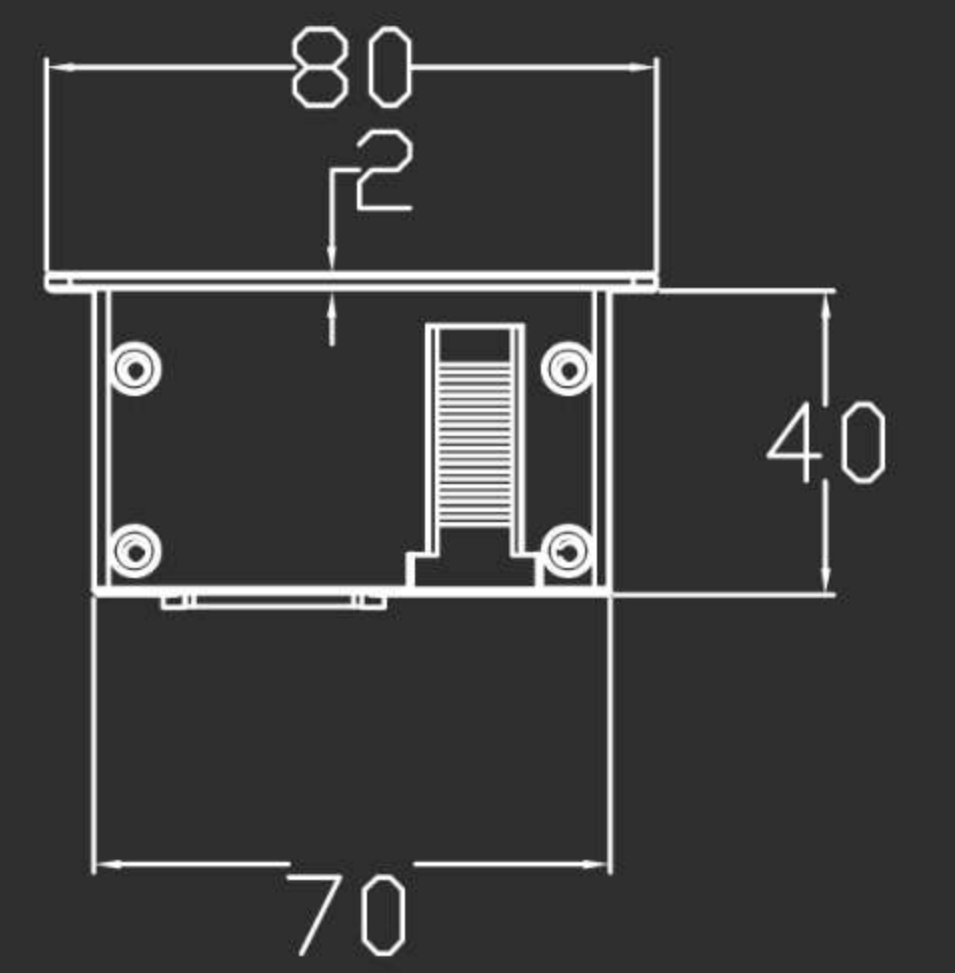
Silver & Black



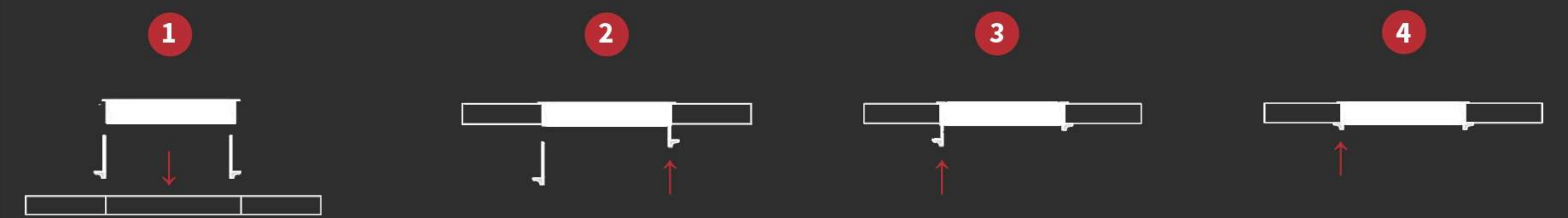
All Black

### Specification

Min size	1.5 modules
Max size	7 modules
Length (L)	No. of modules * 53 + 36mm
Dimensions	Lx 80d x 42h mm
Cut hole	[L - 11] x 72d mm



### Installation instruction



**i** Ideal for: work station, training room, and hotel room

Anodized aluminum body: Clear / Black ●○  
Modules: White / Black ●○  
End caps: Silver / Black ●○



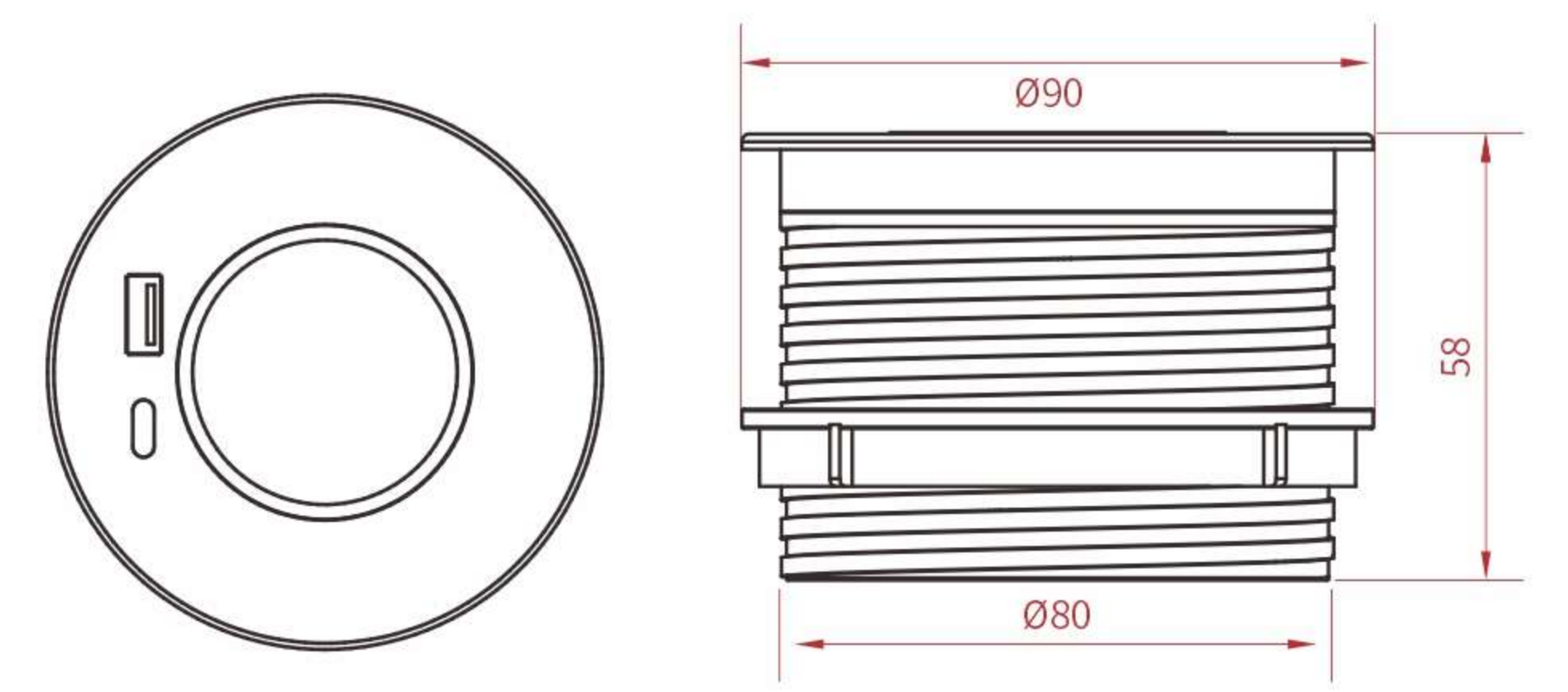


### Specification

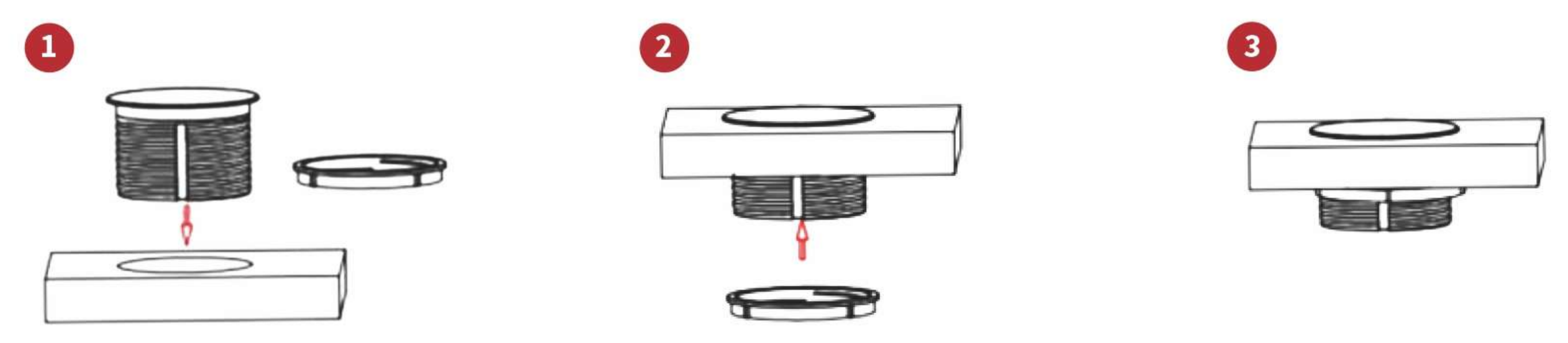
Wireless : 15W | USB:18w

Dimensions  $\phi$  90mm

Cut hole  $\phi$  80mm



### Installation instruction



## CK10R Fresh & Simple

Power socket or Qi wireless charger  
 Category: in desk  
 Easy to install with provided barrel nut

Patented product

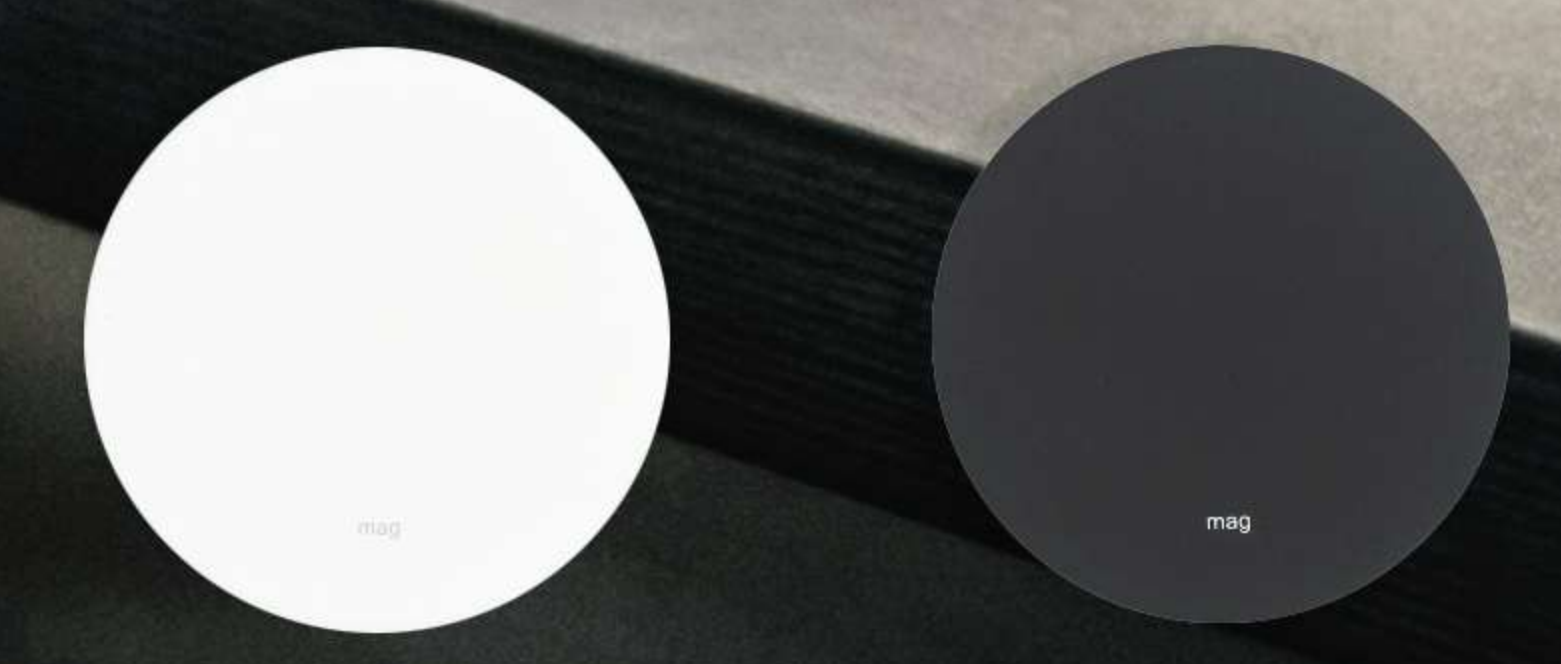


**i** Ideal for: height adjustable desk, training room, work station, hotel room

• Bottom socket is an option to choose  
 Finish: White / Black ○ ●

## CK10M Fresh & Simple **NEW!**

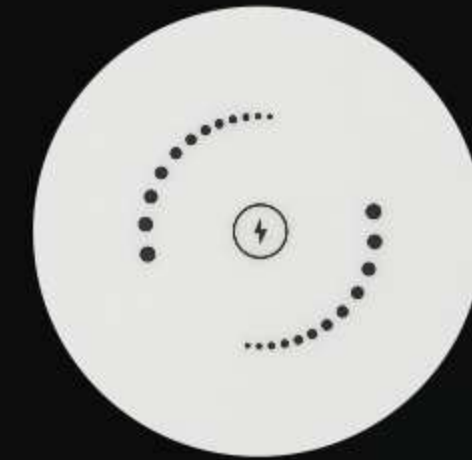
15W magnetic wireless charger  
 Cut hole:  $\phi$ 60mm  
 Applicable to all Qi-certified devices with wireless charging function, and it's magnets attach to iPhone for the best position of wireless charging.







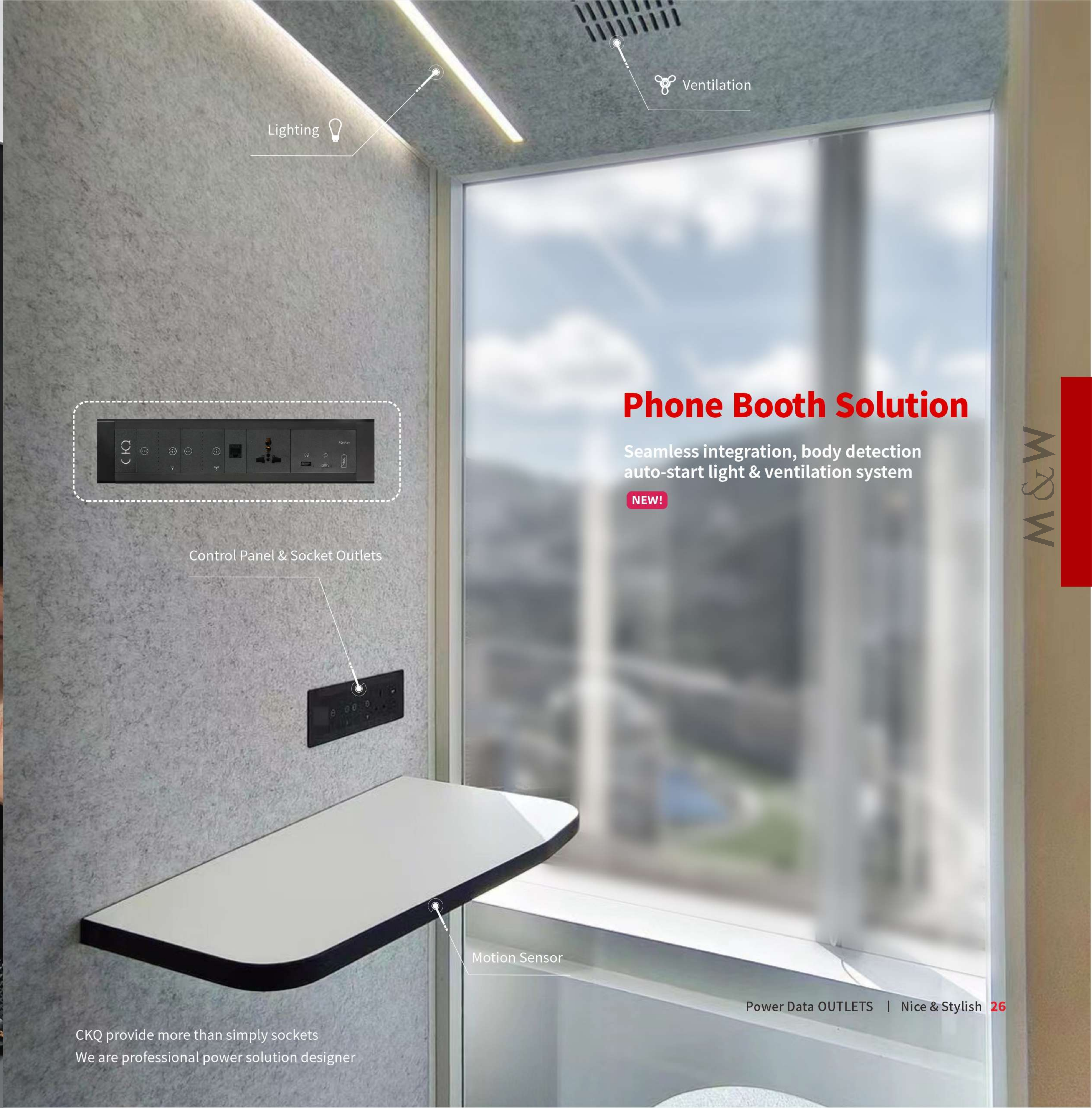
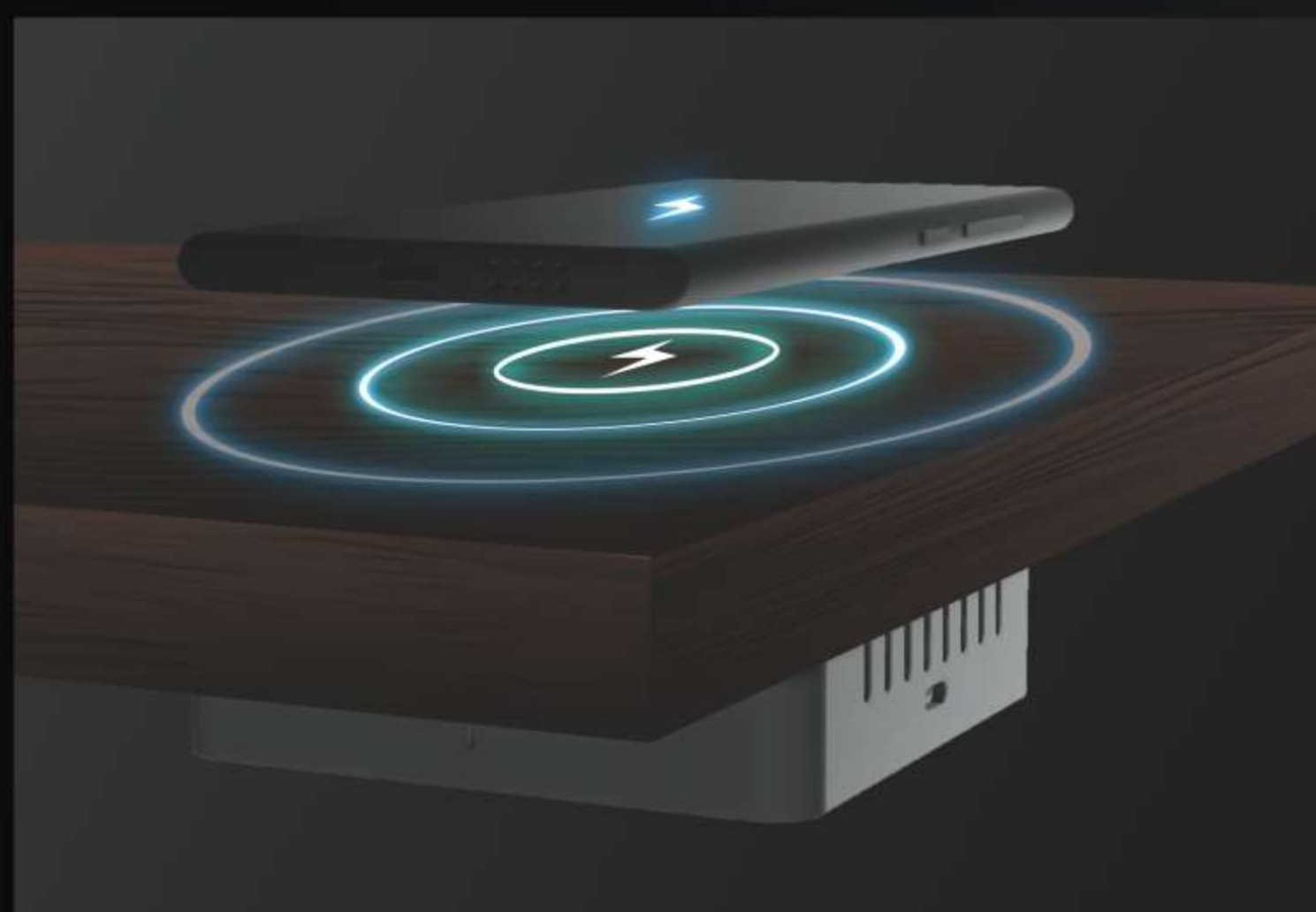
# CK11 Hidden & Powerful NEW!



## UNDER DESK WIRELESS CHARGER

Compatible with Apple & Android phones & accessories that support Qi  
Non-metallic desktop with thickness  $\leq 27\text{mm}$   
Over current, over voltage, over temperature and foreign object detection protectio

Input: 26V/0.8A                      Output: 15W(Max)  
Charging distance: 10-27mm      Range range:  $\varnothing 20\text{mm}$   
Material: Plastic coated with flocked surface      Size: 102x102 mm



## Phone Booth Solution

Seamless integration, body detection auto-start light & ventilation system

NEW!

CKQ provide more than simply sockets  
We are professional power solution designer

M&W





## CK51 Flip Cover Socket

Category: in desk  
Plugs are hidden under the cover to restore a neat surface  
Ideal for: conference table, multi-media room

Dimensions 264L \* 127D \* 80H mm  
Cut hole 254L \* 117D mm

## CK51S Mini Flip Cover Socket

Category: in desk  
Mini one, good enough for the basic functions  
Ideal for: conference table, multi-media room

Dimensions 144L \* 129D \* 80H mm  
Cut hole 134L \* 119D mm



## CK52 One face plate

Category: in desk  
Basic configuration of one power and one data  
Ideal for: work station, hotel room

Dimensions 175L \* 60D \* 55H mm  
Cut hole 139L \* 54D mm



## CK54 Pop-up Socket

Category: in desk  
Press a button, all the sockets are revealed at your fingertip  
Ideal for: conference table, executive desk

Dimensions 262L \* 116D \* 68H mm  
Cut hole 251L \* 111D mm

## CK55 Grommet charger

Category: in desk  
18W QC 3.0 USB fast charger  
Ideal for: soft furnishings, lounge area

Dimensions  $\phi 66\text{mm} * H23\text{mm}$   
Cut hole  $\phi 44\text{mm}$







## Modules for customized Power Data OUTLETS

### New Modules



#### PD 20W quick charger

- Max. 20W output
- Port A: Support QC2.0, QC3.0, Apple 2.4A, AFC, DCP
- Port C: Support PD2.0, QC2.0, QC3.0, Apple 2.4A, DCP
- Short circuit protection, over current protection, over voltage protection



#### Qi wireless, USB A + C quick charger

- Max. 18W output
- Qi certified 15W quick charging (iPhone 7.5W)
- Support DCP, QC2.0, QC3.0, PE+1.1, PE2.0, FCP, SCP, AFC, USB PD 2.0, PD3.0 PPS
- Short circuit, over voltage, over temperature & over current protection



#### PD 65W quick charger

- Max. 65W output
- Port A: Support QC2.0, QC3.0, Apple 2.4A, AFC, FCP
- Port C: Support PD3.0 PPS, QC2.0, QC3.0, QC4+, AFC, Apple 2.4A, FCP
- Short circuit, over current protection, over temperature protection, over voltage protection.

### Power socket Modules



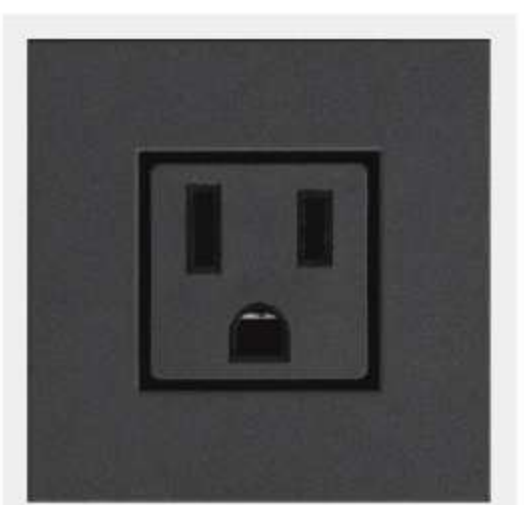
German



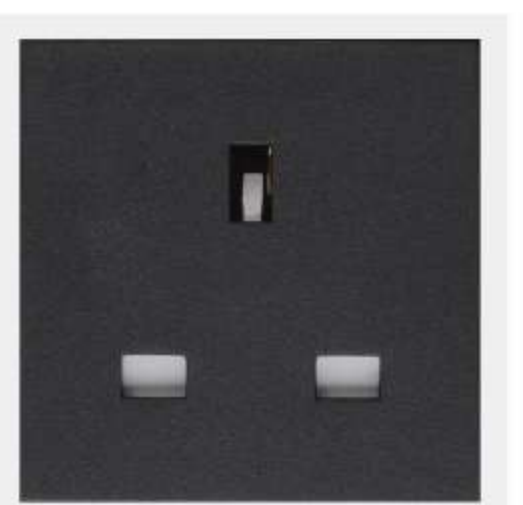
French



Universal



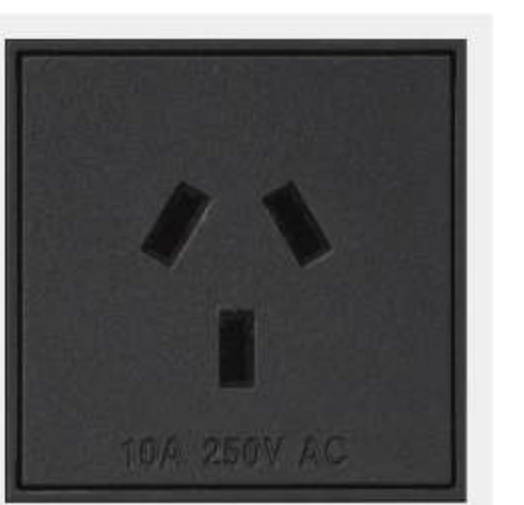
UL



UK



CCC



Australia

### Other modules



phone



Cat. 6 data



Cat. 5e data



dual data



data+phone



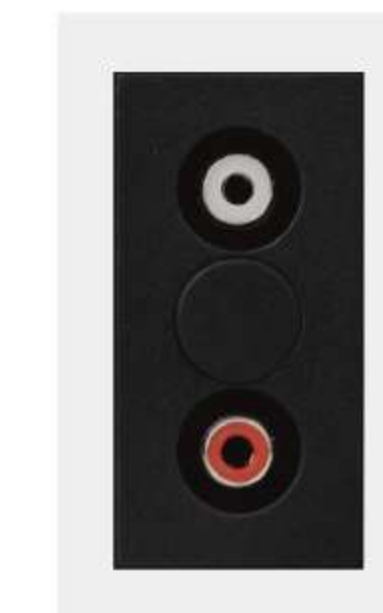
dual USB data



dual USB charger



VGA



RCA audio



3.5 audio x 2



3.5 audio



3.5 audio+RCA video



RCA



HDMI+USB



USB+3.5 audio



HDMI+3.5 audio



HDMI



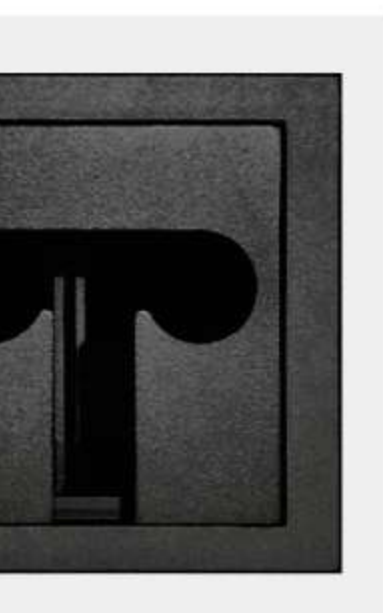
USB 3.0



over-current protection switch



dual HDMI



wiring pass-through

Photos shown are for reference ONLY, the actual product may vary a little bit because of the continuously product enhancement.

